

Signal Level Controller

Description

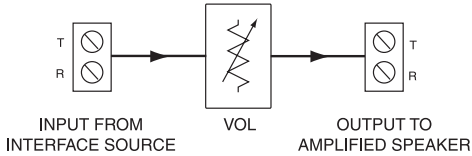
The SLC is a continuously variable volume control that allows the volume of up to 150 self-amplified speakers to be remotely controlled. The SLC fits into a single gang electrical box.

Installation

1. Make all the necessary electrical connections before installing unit.
2. Mount the unit to the electrical box using the 2 faceplate screws provided.

Note: The maximum number of self-amplified speakers that can be connected to the SLC is 150.

Block Diagram



Package Contents

- (1) Installation and Use Manual
- (1) SLC Unit
- (2) Faceplate Screws

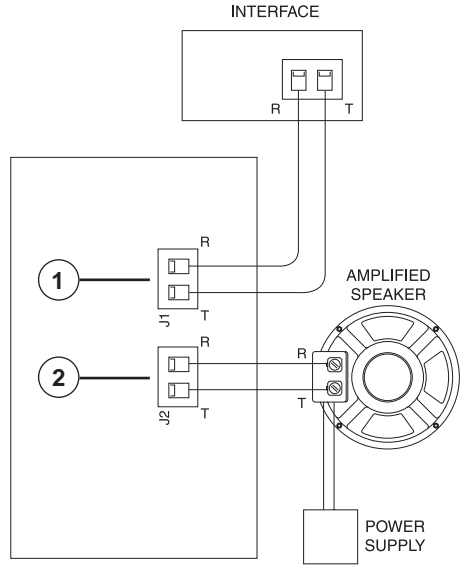
PBC Description

1. Input Terminal

This two-position screw terminal receives dry audio (Tip and Ring).

2. Output Terminal

Connect the SLC output terminals Tip (T) and Ring (R) to the audio inputs of the amplified speakers for controlling up to 150 speaker inputs. Output wiring is made via a two-position screw terminal.



Limited Warranty

The SLC is warranted to be free from defects in material or workmanship for two (2) years from the date of sale to the original purchaser. Any part of the product covered by this warranty that, with normal installation and use, becomes defective will be repaired or replaced by Bogen, at our option, provided the product is shipped insured and prepaid to: Bogen Factory Service Department, 50 Spring Street, Ramsey, NJ 07446, USA. The product will be returned to you freight prepaid. This warranty does not extend to any of our products that have been subjected to abuse, misuse, improper storage, neglect, accident, improper installation or have been modified or repaired or altered in any manner whatsoever, or where the serial number or date code has been removed or defaced.

THE FOREGOING LIMITED WARRANTY IS BOGEN'S SOLE AND EXCLUSIVE WARRANTY AND THE PURCHASER'S SOLE AND EXCLUSIVE REMEDY. BOGEN MAKES NO OTHER WARRANTIES OF ANY KIND, EITHER EXPRESS OR IMPLIED, AND ALL IMPLIED WARRANTIES OF MERCHANTABILITY OR FITNESS FOR A PARTICULAR PURPOSE ARE HEREBY DISCLAIMED AND EXCLUDED TO THE MAXIMUM EXTENT ALLOWABLE BY LAW. Bogen's liability arising out of the manufacture, sale or supplying of products or their use or disposition, whether based upon warranty, contract, tort or otherwise, shall be limited to the price of the product. In no event shall Bogen be liable for special, incidental or consequential damages (including, but not limited to, loss of profits, loss of data or loss of use damages) arising out of the manufacture, sale or supplying of products, even if Bogen has been advised of the possibility of such damages or losses. Some States do not allow the exclusion or limitation of incidental or consequential damages, so the above limitation or exclusion may not apply to you. This warranty gives you specific legal rights, and you may also have other rights which vary from State to State.

Products that are out of warranty will also be repaired by the Bogen Factory Service Department -- same address as above or call 201-934-8500. The parts and labor involved in these repairs are warranted for 90 days when repaired by the Bogen Factory Service Department. All shipping charges in addition to parts and labor charges will be at the owner's expense. All returns require a Return Authorization number.

07/20/2004

BOGEN[®]
COMMUNICATIONS, INC.

www.bogen.com