

MIC2X

Microphone Input Module

Features

- Electronically-balanced
- XLR connector
- Phantom power
- Gain/Trim control
- Hi- and Lo-cut filters
- Adjustable voice enhancer
- Audio gating with threshold adjustment
- Variable signal limiter
- 4 levels of available priority
- Can be muted from higher priority modules
- Can mute lower priority modules

Module Installation

1. Turn off all power to the unit.
2. Make all necessary jumper selections.
3. Position module in front of desired module bay opening, making sure that the module is right-side up.
4. Slide module on to card guide rails. Make sure that both the top and bottom guides are engaged.
5. Push the module in to the bay until the faceplate contacts the unit's chassis.
6. Use the two screws included to secure the module to the unit.

WARNING:

Turn off power to unit and make all jumper selections before installing module in unit.

Jumper Selections

Priority Level*

This module can respond to 4 different levels of priority. Priority 1 is the highest priority. It mutes modules with lower priorities and is never muted. Priority 2 can be muted by Priority 1 modules and mutes modules set for 3 or 4. Priority 3 is muted by either Priority 1 or 2 modules and mutes Priority 4 modules. Priority 4 modules are muted by all higher priority modules.

*The number of priority levels available is determined by the module capacity of the amplifier the modules are used in.

Gating

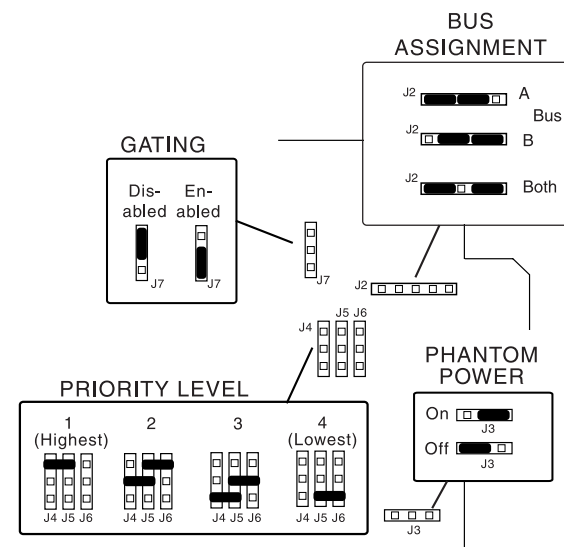
Gating can help reduce noise in systems with multiple mic inputs. You can disable gating (turning off) of the module's output when insufficient audio is present at the input. Detection of audio for the purpose of muting lower priority modules is always active regardless of this jumper setting.

Phantom Power

24V phantom power can be supplied to condenser microphones when jumper is set to On position. Leave off for dynamic mics.

Bus Assignment

This module can be set to operate so that the MIC signal can be sent to the main unit's A bus, B bus, or both buses.



Gate

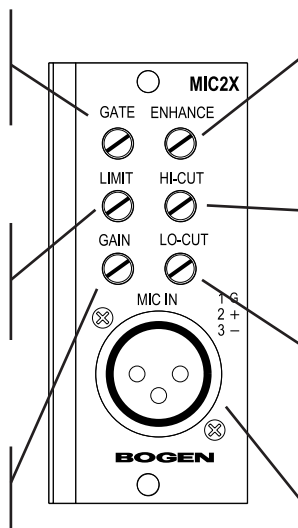
Controls the minimum necessary input signal level to turn the module's output on and apply signal to the main unit's buses. Clockwise rotation increases the necessary signal level required to produce output as well as the signal threshold necessary to cause the module to mute other modules.

Limiter (Limit)

Sets the signal level threshold at which the module will begin to limit the level of its output signal. Clockwise rotation will allow more output signal before limiting, counterclockwise rotation will allow less. The limiter monitors the module's output signal level, so increasing Gain will affect when limiting takes place.

Gain

Provides control over the level of input signal that can be applied to the internal signal buses of the main unit. Allows a way to balance the input levels of various devices so that the main unit controls can be set to relative uniform or optimum levels.



Enhance

Controls the amount of intelligibility enhancement applied to microphone signal. Intelligibility enhancement provides a crisper sounding signal that is easier to understand over background noise. Clockwise rotation increases the effect.

Hi-Cut

Allows a reduction in the amount of treble frequencies above 8 kHz. This is a cut only filter and does not allow boosting treble. Clockwise rotation increases the amount of cut.

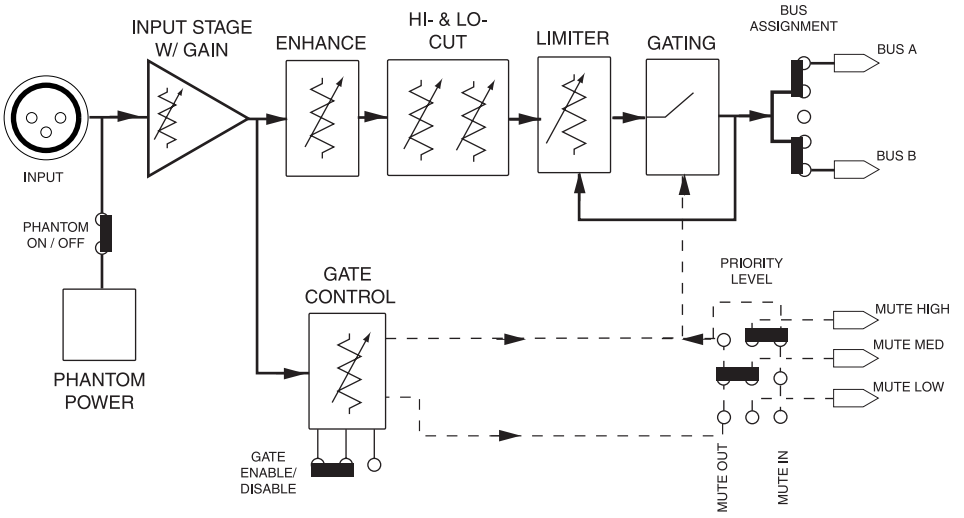
Lo-Cut

Allows a reduction in the amount of bass frequencies below 100 Hz. This is a cut only filter and does not allow boosting bass. Clockwise rotation increases the amount of cut.

Connections

Uses an XLR connector to make connections to the module's input. The input is low-impedance, electronically-balanced for excellent noise immunity. Connect pin 1 to shield, pin 2 to + signal and pin 3 to - signal.

Block Diagram



BOGEN[®]
COMMUNICATIONS, INC.

www.bogen.com