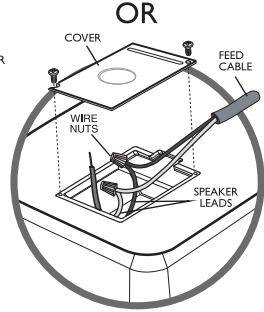
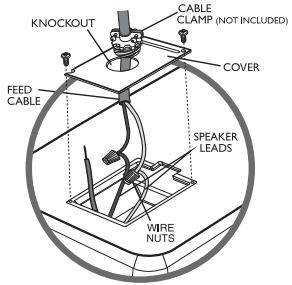
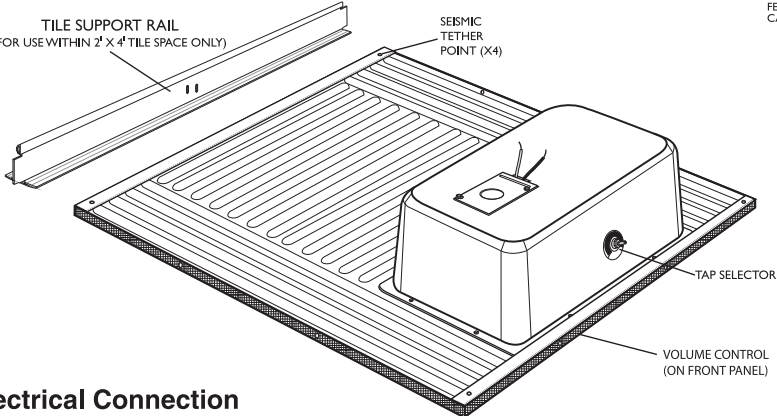


# Model CSD2X2VR Drop-In Ceiling Speaker



With Back Can and Recessed Volume Control  
70V & 25V Speaker Systems



## Electrical Connection

1. Remove cover, install cable clamp (if desired), and feed interconnecting cable into the electrical box.
2. Select speaker leads for desired system type: 70V - Red, 25V - Yellow, and COM - Black for both. Interconnect the speakers in the system, making sure that all leads of the same color are connected together. Avoid swapping colors.
3. Cut bare wire tip off of unused speaker lead. Secure all mechanical connections and re-install the cover.
4. Set tap selector switch to proper tap setting.
5. Speaker volume can be attenuated via front panel recessed volume control.

Lead	Color
70V	Red
25V	Yellow
COM	Black

**NOTE: All wiring must comply with NFPA 70**

**Listed to UL Standard - ANSI / UL 1480**

## Ceiling Installation

### 2 ft. x 2 ft. Tile Space

Drop ceiling speaker into space (support rail not necessary).

### 2 ft. x 4 ft. Tile Space

Cut ceiling tile no more than 23-3/4". Place speaker in ceiling with the tile support rail facing the ceiling tile opening. Drop in the tile.

## 2-YEAR WARRANTY

The CSD2X2VR is warranted to be free from defects in material or workmanship for two (2) years from the date of sale to the original purchaser. This warranty does not extend to any of our products that have been subjected to abuse, misuse, improper storage, neglect, accident, improper installation or have been modified or repaired or altered in any manner whatsoever, or where the serial number or date code has been removed or defaced.

