

INSTALLATION & OPERATION

1 Inspection

The following items are inside the box:

- UPS unit
- User manual

Remove the UPS from its package and inspect it for damage that may have occurred during shipping. If any damage is discovered, re-pack the unit and return it to the place of purchase.

2 Connect to Utility Power

Connect AC power cord to utility power. Then, the UPS will start to charge inside battery. For best result, charge the battery for 6 hours prior to initial use.

3 Connect Computer/Ethernet

This UPS protects surge protection for a single Ethernet connection. Remove existing Ethernet cable from PC and insert into UPS "IN" connector. Using an additional Ethernet cable, insert into PC network adapter and UPS "OUT" connector.

4 Plug in Equipment

Plug your equipment to Battery Backup Outlets on the rear panel of the UPS.

NOTE: Make sure that the UPS is powered on to protect all important devices from data loss during power failure.

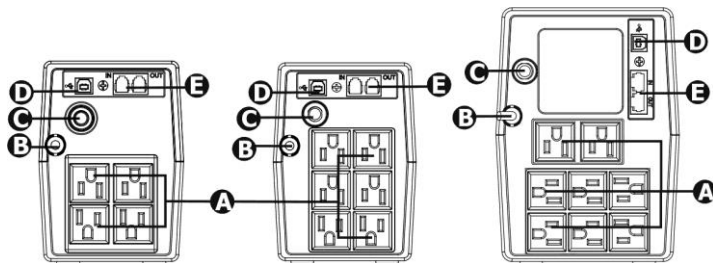
CAUTION: NEVER connect a laser printer or scanner to the battery backup outlets of UPS. The equipment may draw significantly power to overload the UPS.

5 Connect USB Cable and Install Software

Connect one end of the USB cable to PC and the other to the USB port at the rear of the UPS.

Download the latest version of ViewPower software from <http://www.diteksurgeprotection.com/ups-software.html> to your hard drive. Follow on-screen instructions to complete the software installation.










REAR PANEL



- A** Battery backup outlets
- B** AC input
- C** Fuse/Circuit breaker
- D** USB com. port
- E** Ethernet surge protection

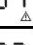


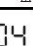

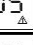
LCD DISPLAY

Operation Display

UPS Mode	LCD	Description
UPS Power on		When UPS is powered on, it will enter this mode for 4 seconds.
AC Mode	 When AVR is functioning,  icon will flash every second.	LCD information will be displayed in the following order when LCD is touched. 1. Output voltage 2. Input voltage 3. Load level 4. Battery capacity
Overload in AC mode	  icon will flash.	When overload occurs, alarm will beep every 0.5 second.
Battery Mode	 When battery level is low,  icon will flash.	Alarm will beep every 10 seconds and LCD information will be displayed in the following order when LCD is touched. 1. Output voltage 2. Input voltage 3. Load level 4. Battery capacity
Overload in battery mode	  icon will flash.	When overload occurs, alarm will beep every 0.5 second.

NOTE: If backlight shuts off, you may activate it by touching the screen.

Fault Code Table:

Fault condition	LCD	Solutions
Output short circuited	F01 	Disconnect short-circuited loads and restart the UPS again.
Overload fault	F02 	Disconnect all output loads and restart the UPS again.
Overcharge	F03 	Call for service immediately.
Bad or severely discharged battery	F04 	Please replace the battery.
High output voltage fault	F05 	Call for service immediately.
Over-temperature	F06 	1. Turn off the unit and wait for cooling. 2. Or remove excessive loads and wait for cooling.

If fault alarm occurs, please call for service immediately.



SAFETY CAUTION

SAVE THESE INSTRUCTION-This manual contains important instructions that should be followed during installation and maintenance of the UPS and batteries.

- This UPS utilizes voltage that may be hazardous. Do not attempt to disassemble the unit. The unit contains no user replaceable parts. Only factory service personnel may perform repairs.
- This pluggable type A equipment with battery already installed by the supplier is operator installable and may be operated by laymen.
- The mains socket outlet that supplies the UPS shall be installed near the UPS and shall be easily accessible.
- During the installation of this equipment it should be assured that the sum of the leakage currents of the UPS and the connected loads does not exceed 3.5mA.
- Connection to any other type of receptacle other than a two-pole, three-wire grounded receptacle may result in shock hazard as well as violate local electrical codes.
- In the event of an emergency, press the "OFF" button and disconnect the power cord from the AC power supply to properly disable the UPS.
- Do not allow any liquids or any foreign object to enter the UPS. Do not place beverages or any other liquid-containing vessels on or near the unit.
- This unit intended for installation in a controlled environment (temperature controlled, indoor area free of conductive contaminants). Avoid installing the UPS in locations where there is standing or running water, or excessive humidity.
- Do not plug the UPS input into its own output.
- Do not attach a power strip or surge suppressor to the UPS.
- Do not attach non-computer-related items, such as medical equipment, life-support equipment, microwave ovens, or vacuum cleaners to UPS.
- Do not dispose of batteries in a fire as they may explode.
- Internal battery voltage is 12VDC. Sealed, lead-acid, 6-cell battery.
- Unplug the UPS prior to cleaning and do not use liquid or spray detergent.
- Do not open or mutilate the battery or batteries. Release electrolyte is harmful to the skin and eyes. It may be toxic.
- A battery can present a risk of electrical shock and high short circuit current. The following precautions should be observed when working on batteries:
 - 1) Remove watches, rings, or other metal objects from the hands.
 - 2) Use tools with insulated handles.
 - 3) Wear rubber gloves and boots.
 - 4) Do not lay tools or metal parts on top of batteries.
 - 5) Disconnect charging source prior to connecting or disconnecting batteries terminal.
 - 6) Remove battery grounds during installation and maintenance to reduce likelihood of shock.
- Servicing of batteries should be performed or supervised by personnel knowledgeable of batteries and the required precautions. Keep unauthorized personnel away from batteries.
- When replacing batteries, replace with the same number and type of sealed lead-acid battery. Dispose of used batteries according to the instructions
- CAUTION: Hazardous voltage could result in electric shock. Although UPS power is disconnected, hazardous voltage still may be accessible through supply from battery. The battery supply should be therefore disconnected in the plus and minus pole at the connectors of the battery when maintenance or service work inside the UPS is necessary.
- To reduce the risk of overheating the UPS, do not cover the UPS' cooling vents and avoid exposing the unit to direct sunlight or installing the unit near heat emitting appliances such as space heater or furnaces.

SPECIFICATIONS

MODEL	DTK-UPS600	DTK-UPS800	DTK-UPS1000
CAPACITY	600VA/360W	800VA/480W	1000VA/600W
Input Voltage	110/120 VAC		
Input Voltage Range	81-145 VAC		
Output Voltage Regulation	± 10 % (Bat. mode)		
Transfer Time	Typical 2-6 ms		
Waveform	Simulated Sine Wave		
Battery Type & No	12V/7Ahx1	12V/9Ahx1	12V/7Ahx2
Charging Time	6 hours recover to 90% capacity		
Dimension (DxWxH) mm	300 x 101 x 142		320 x 130 x 182
Net Weight (kgs)	4.4	5	8.2
Humidity	0-90% RH @ 0-40°C non-condensing)		
Noise Level	Less than 40dB		
DOE Compliance	Yes		
Overall Efficiency	> 98.4%		

*Specifications are subject to change without notice.

TROUBLESHOOTING

Problem	Possible Cause	Solutions
Nothing is displayed on LCD panel.	The UPS is not on.	Press the power switch again to turn on the UPS.
	Battery voltage is too low.	Charge the battery at least 6 hours.
	Battery fault.	Replace the battery.
The UPS always on battery mode.	Power cord loose.	Re-plug the power cord.
The UPS continuously beeps.	Please check the fault code for the details.	Please check the fault code for the details.
	Battery voltage is too low.	Charge the battery at least 6 hours.
Backup time too short.	Overload.	Remove some unnecessary loads. Before reconnecting equipment, please verify that the load matches the UPS capability specified in the specs.
	Battery defect.	Replace the battery.

If any abnormal situations occur that are not listed above, please call for service immediately.

FCC NOTICE, CLASS A

This equipment has been tested and found to comply with the limits for a Class A digital device, pursuant to part 15 of the FCC Rules. These limits are designed to provide reasonable protection against harmful interference when the equipment is operated in a commercial environment. This equipment generates, uses, and can radiate radio frequency energy and, if not installed and used in accordance with the instruction manual, may cause harmful interference to radio communications. Operation of this equipment in a residential area is likely to cause harmful interference in which case the user will be required to correct the interference at his own expense.

WARNING: Changes or modifications not expressly approved by the party responsible for compliance could void the user's authority to operate the equipment