

# HIGH POWER TAPPER

## 136-960MHz

**BDA-TPX**

### Product Features

- Guaranteed Parameters Compliance
- Low Insertion Loss
- Low VSWR
- Indoor/Outdoor Using IP65
- Available with Type N Connectors
- Low Frequency Band Covering VHF, UHF, 700, and 800MHz Public Safety Bands



### Specification

#### BDA-TP3-L2

Ratio, nom.	2:1/3.0dB
Output Split	-2.3/-4.8
Branch Flatness ref. to Input Level, incl Loss, dB	-7.6±1.0@136-200MHz -6.8±0.8@200-250MHz -6.3±0.8@250-380MHz -5.9±0.8@380-520MHz -4.8±0.8@698-960MHz
Input VSWR max	1.4:1
Average Power(w)	300
Humidity	5-95%
Geometric Symbol to be included on the label	Triangle symbol

### Specification

#### BDA-TP6-L2

Ratio, nom.	4:1/6.0dB
Output Split	-1.6/-7.0
Branch Flatness ref. to Input Level, incl Loss, dB	-8.9±1.0@136-200MHz -8.2±0.8@200-250MHz -7.8±0.8@250-380MHz -7.5±0.8@380-520MHz -7.0±0.8@698-960MHz
Input VSWR max	1.35:1
Average Power(w)	300
Humidity	5-95%
Geometric Symbol to be included on the label	Hexagon symbol

### Specification

#### BDA-TP7-L2

Ratio, nom.	4:1/7.0dB
Output Split	-1.35/-7.8
Branch Flatness ref. to Input Level, incl Loss, dB	-10.0±1.0@136-200MHz -9.2±0.8@200-250MHz -8.7±0.8@250-380MHz -8.3±0.8@380-520MHz -7.8±0.8@698-960MHz

# HIGH POWER TAPPER

## 136-960MHz

**BDA-TPX**

Input VSWR max	1.35:1
Average Power(w)	300
Humidity	5-95%
Geometric Symbol to be included on the label	Heptagon symbol

### Specification

### BDA-TP10-L2

Ratio, nom.	10:1/10dB
Output Split	-0.9/-10.4
Branch Flatness ref. to Input Level, incl Loss, dB	-11.2±1.0@136-200MHz -10.7±0.8@200-250MHz -10.2±0.8@250-380MHz -10.2±0.8@380-520MHz -10.2±0.8@698-960MHz
Input VSWR max	1.25:1
Average Power(w)	300
Humidity	5-95%
Geometric Symbol to be included on the label	Decagon symbol

### Specification

### BDA-TP13-L2

Ratio, nom.	20:1/13dB
Output Split	-0.5/-13.2
Branch Flatness ref. to Input Level, incl Loss, dB	-14.1±1.0@136-200MHz -13.5±0.8@200-250MHz -13.1±0.8@250-380MHz -13.1±0.8@380-520MHz -13.1±0.8@698-960MHz
Input VSWR max	1.25:1
Average Power(w)	300
Humidity	5-95%
Geometric Symbol to be included on the label	Trapezoid symbol

### Specification

### BDA-TP15-L2

Ratio, nom.	30:1/15dB
Output Split	-0.5/-15.1
Branch Flatness ref. to Input Level, incl Loss, dB	-15.5±1.0@136-200MHz -15.1±0.8@200-250MHz -15.1±0.8@250-380MHz -15.1±0.8@380-520MHz -15.1±0.8@698-960MHz
Input VSWR max	1.25:1
Average Power(w)	300
Humidity	5-95%
Geometric Symbol to be included on the label	Pentagon symbol

# HIGH POWER TAPPER

## 136-960MHz

**BDA-TPX**

### Specification

### BDA-TP20-L2

Ratio, nom.	100:1/20dB
Output Split	-0.4/-20.1
Branch Flatness ref. to Input Level, incl Loss, dB	20.1±1.5@136-200MHz 20.1±1.5@200-250MHz 20.1±1.5@250-380MHz 20.1±1.5@380-520MHz 20.1±1.5@698-960MHz
Input VSWR max	1.25:1
Average Power(w)	300
Humidity	5-95%
Geometric Symbol to be included on the label	Square symbol

### Specification

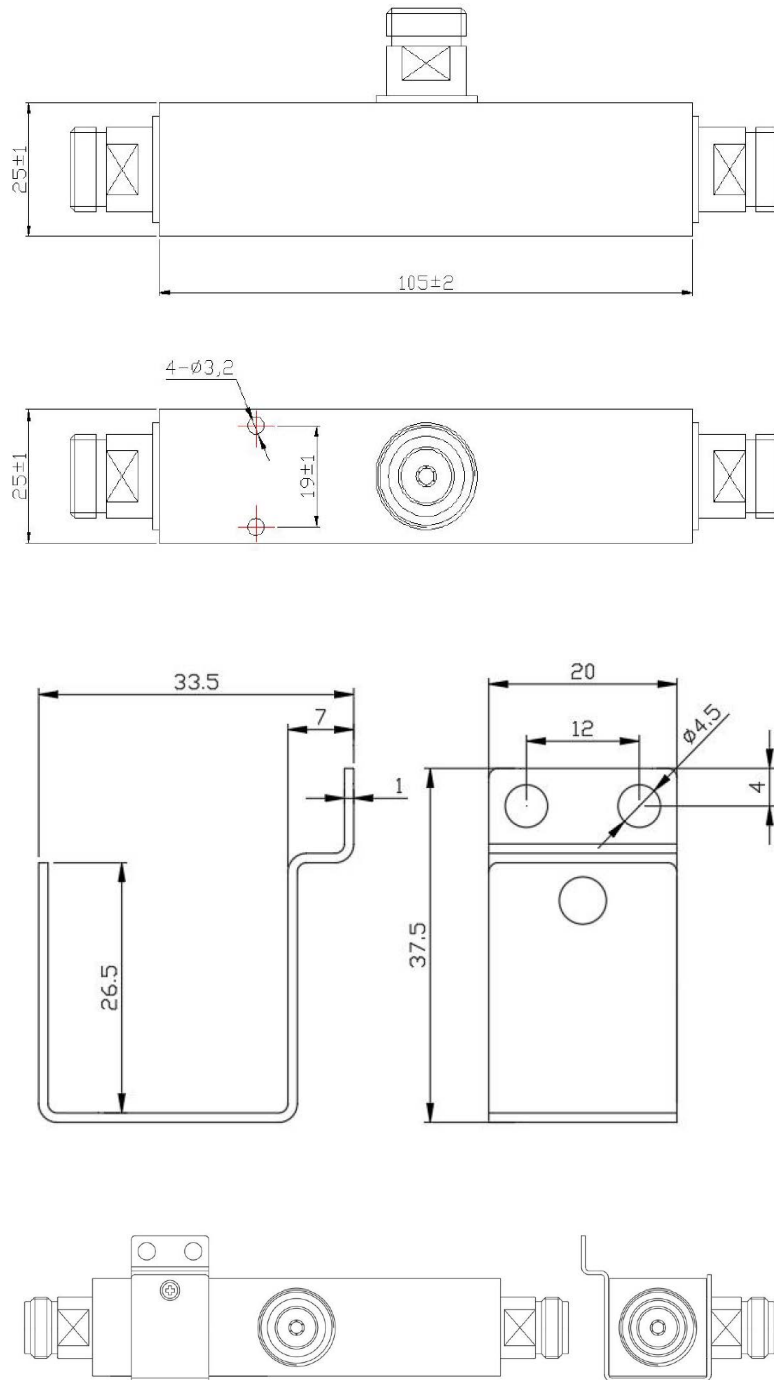
### BDA-TP30-L2

Ratio, nom.	1000:1/30dB
Output Split	-0.3/-30.1
Branch Flatness ref. to Input Level, incl Loss, dB	30.1±1.8@136-200MHz 30.1±1.8@200-250MHz 30.1±1.8@250-380MHz 30.1±1.8@380-520MHz 30.1±1.8@698-960MHz
Input VSWR max	1.25:1
Average Power(w)	300
Humidity	5-95%
Geometric Symbol to be included on the label	Rectangle symbol

# HIGH POWER TAPPER 136-960MHz

BDA-TPX

## Mechanical Drawing & Bracket Drawing



Dimensions in mm