



by Schneider Electric

Installation Guide Smart-UPS™ 1200/1500 VA 100/120 VAC Rack-Mount 1U

Important Safety Instructions

SAVE THESE INSTRUCTIONS - This manual contains important instructions that should be followed during installation and maintenance of the Smart-UPS and batteries.

Read these instructions carefully and look at the equipment to become familiar with the device before trying to install, operate, service or maintain it. The following special messages may appear throughout this document or on the equipment to warn of potential hazards or to call attention to information that clarifies or simplifies a procedure.



The addition of this symbol either to a “Danger” or “Warning” safety label indicates that an electrical hazard exists which will result in personal injury if the instructions are not followed.



This is the safety alert symbol. It is used to alert you to potential personal injury hazards. Obey all safety messages that follow this symbol to avoid possible injury or death.

DANGER

DANGER indicates a hazardous situation which, if not avoided, **will result in death or serious injury.**

WARNING

WARNING indicates a hazardous situation which, if not avoided, **could result in death or serious injury.**

CAUTION

CAUTION indicates a hazardous situation which, if not avoided, **could result in minor or moderate injury.**

NOTICE

NOTICE is used to address practices not related to physical injury.

Product Handling Guidelines



<18 kg
<40 lb



18-32 kg
40-70 lb



32-55 kg
70-120 lb



>55 kg
>120 lb



Safety and General Information

Inspect the package contents upon receipt. Notify the carrier and dealer if there is any damage.

Read the Safety Guide supplied with this unit before installing the UPS.

- Adhere to all local and national electrical codes.
- This UPS is intended for indoor use only.
- Do not operate this UPS in direct sunlight, in contact with fluids, or where there is excessive dust or humidity.
- Be sure the air vents on the UPS are not blocked. Allow adequate space for proper ventilation.
- The battery typically lasts for two to five years. Environmental factors impact battery life. Elevated ambient temperatures, poor quality utility power, and frequent short duration discharges will shorten battery life.
- Connect the UPS power cable directly to a wall outlet. Do not use surge protectors or extension cords.

Battery Safety

CAUTION

RISK OF HYDROGEN SULPHIDE GAS AND EXCESSIVE SMOKE

- Replace the battery at least every 5 years or at the end of its service life, whichever is earlier.
- Replace the battery immediately when the UPS indicates battery replacement is necessary.
- Replace batteries with the same number and type of batteries as originally installed in the equipment.
- Replace the battery immediately when the UPS indicates a battery overtemperature condition, or UPS internal overtemperature, or when there is evidence of electrolyte leakage. Power off the UPS, unplug it from the AC input, and disconnect the batteries. Do not operate the UPS until the batteries have been replaced.
- *Replace all battery modules (including the modules in External Battery Packs) which are older than one year, when installing additional battery packs or replacing the battery module(s).


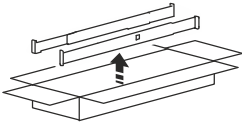
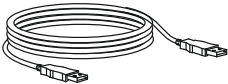
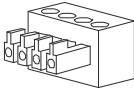
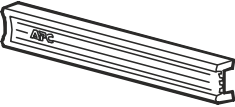
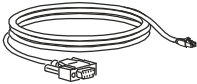
Failure to follow these instructions could result in equipment damage and minor or moderate injury.

*Contact APC by Schneider Electric Worldwide Customer Support to determine the age of the installed battery modules.

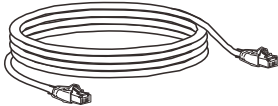
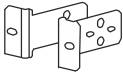
- Servicing of batteries should be performed or supervised by personnel knowledgeable about batteries and the required precautions.
- CAUTION: A battery can present a risk of electrical shock and high short-circuit current. Contact with any part of a grounded battery can result in electrical shock. The following precautions should be observed when working on batteries:
 - Wear rubber gloves and boots.
 - Do not lay tools or metal parts on top of batteries.
 - Disconnect charging source and load prior to installing or maintaining the battery.
 - Remove battery grounds during installation and maintenance to reduce likelihood of shock.
 - Remove the connection from ground if any part of the battery is determined to be grounded.

Inventory

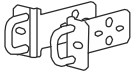
All models

<p>Installation Guide</p> 	<p>1U Rail Kit with rails, cleats, screws</p> 	<p>Type A USB cable</p> 
<p>EPO Connector</p> 	<p>Bezel</p> 	<p>Serial cable</p> 

120 VAC models

<p>Network Cable</p> 	<p>Rack-Mount brackets</p> 
--	--

100 VAC models

<p>Rack-Mount brackets</p> 
--

Installation

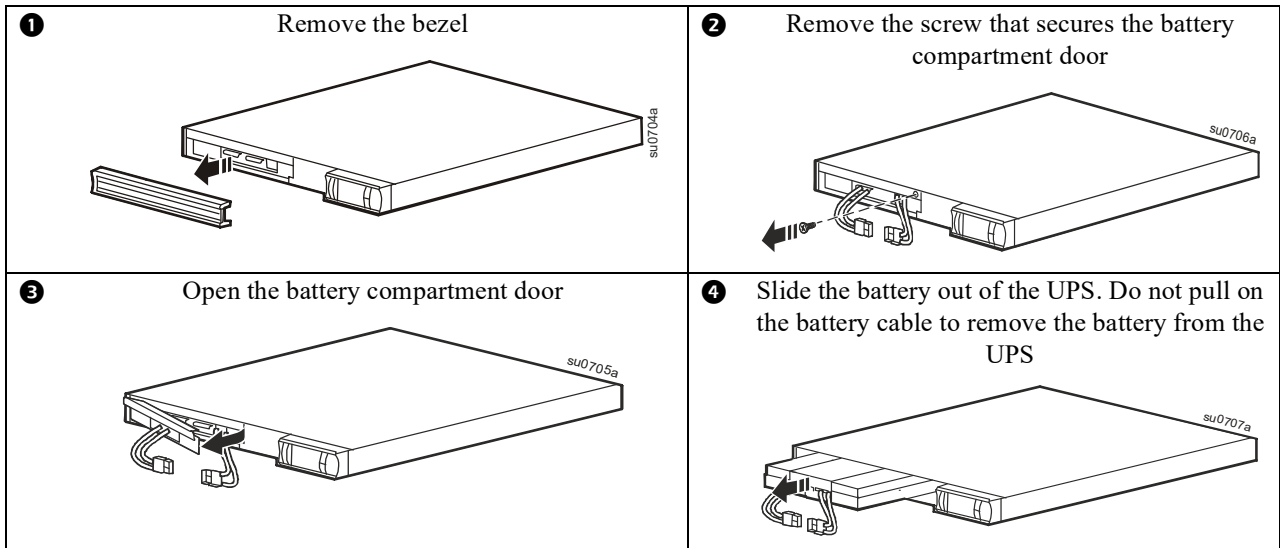
CAUTION

RISK OF FALLING OBJECTS

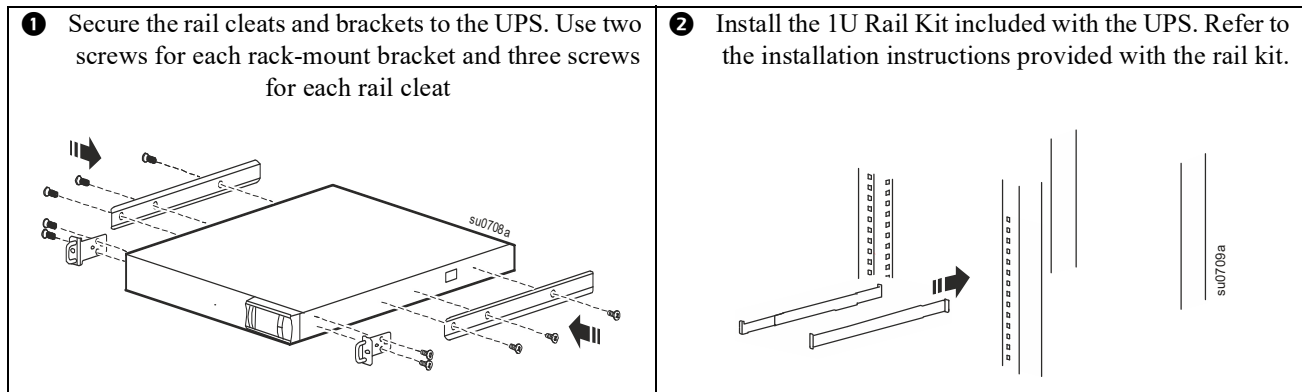
- The equipment is heavy. Always practice safe lifting techniques adequate for the weight of the equipment.
- Connect the battery after installing the UPS in a rack.

Failure to follow these instructions could result in equipment damage and minor or moderate injury.

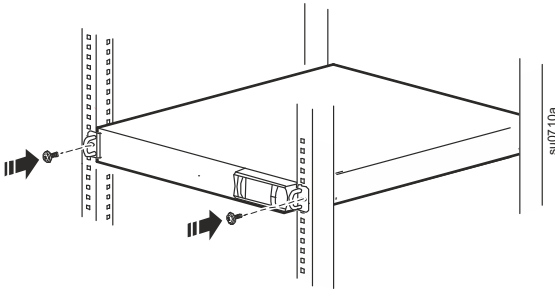
Remove the battery



Rack installation

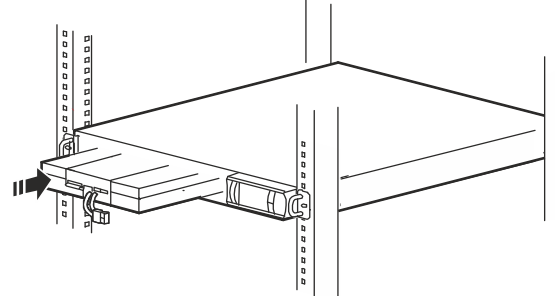


3 Slide the UPS into the rack. Secure the brackets to the rack using the screws provided



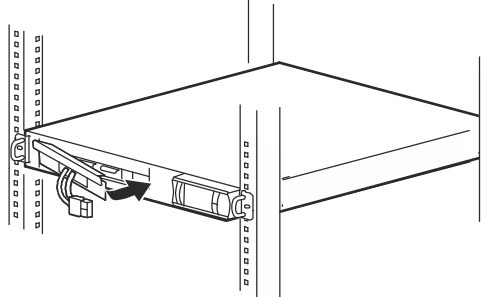
su0710a

4 Slide the battery into the UPS



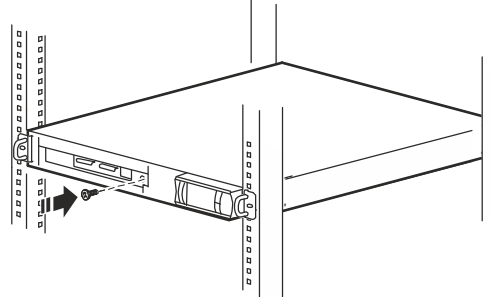
su0712a

5 Install the battery compartment door



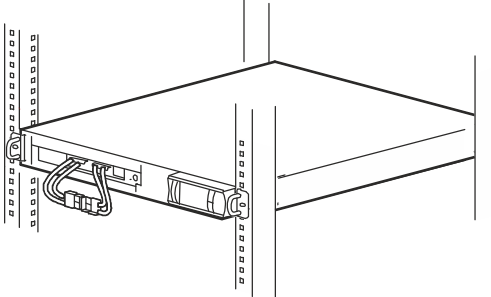
su0713a

6 Secure the door with the screw previously removed



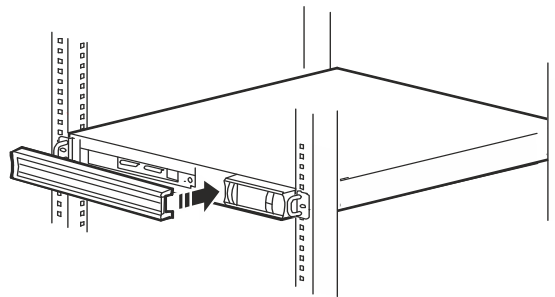
su0714a

7 Secure the two battery connectors as shown in the diagram below



su0724a

8 Install the bezel on the front of the UPS

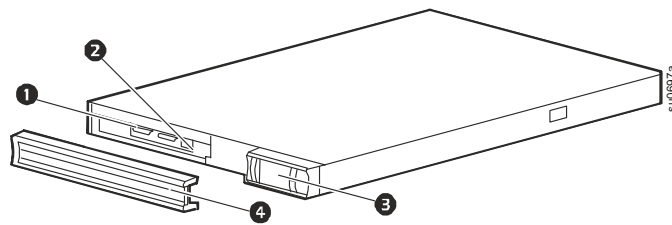


su0715a

Overview and Start Up

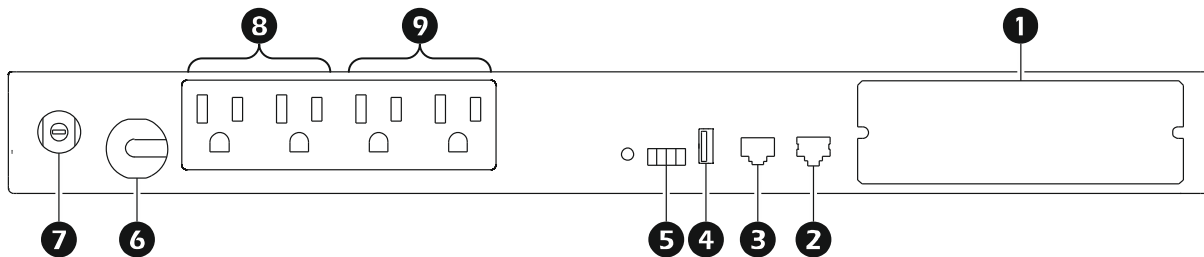
Front panel features

❶	Battery
❷	Battery connector
❸	Display interface
❹	Bezel

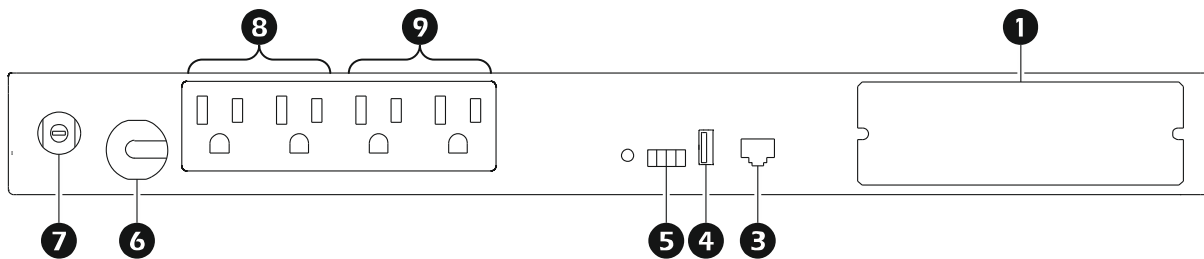


Rear panel features

1500 VA 120 VAC



1200 VA 100 VAC



❶	Smart slot for optional accessory card
❷	APC™ SmartConnect port
❸	RJ45 connector - serial UPS monitoring port
❹	USB port
❺	EPO connector
❻	UPS input
❼	Circuit breaker / Overload protection
❽	Controlled outlet group 1
❾	Controlled outlet group 2

Electrical connections

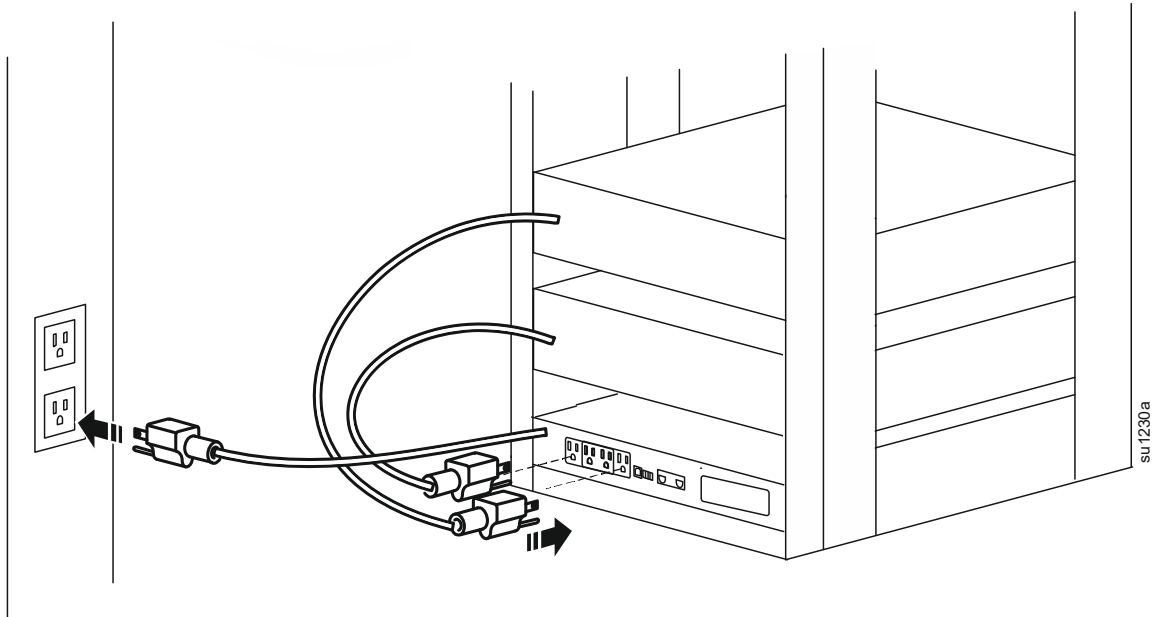
CAUTION

RISK OF ELECTRIC SHOCK

- Adhere to all local and national electrical codes.
- Wiring should be performed by qualified electrician.
- Always connect the UPS to a grounded outlet.

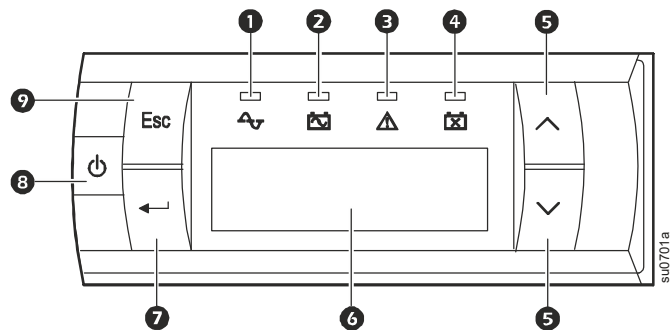
Failure to follow these instructions could result in minor or moderate injury.

Note: Outlet type and location may vary.



Display Interface

- 1 Online LED
- 2 On Battery LED
- 3 Alert LED
- 4 Replace Battery LED
- 5 UP/DOWN arrow buttons
- 6 Display screen
- 7 ENTER button
- 8 UPS Output ON/OFF button
- 9 ESCAPE button



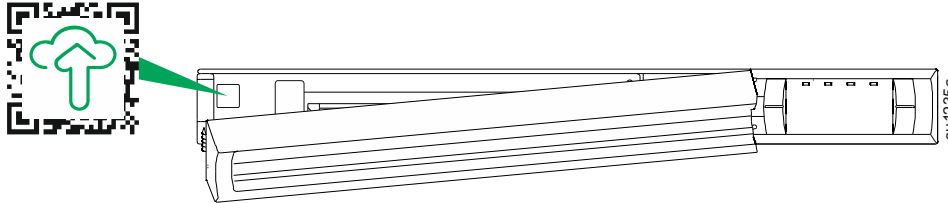
EcoStruxure™ Ready Smart-UPS™ Web Portal

Note: This feature is not available in SMT1K2RJ1U.

The Web Portal allows you to remotely view the status of your UPS, receive automatic notifications about UPS events, and firmware updates. Visit smartconnect.apc.com to learn more.

APC™ SmartConnect allows you to monitor the health and status of your UPS from any device connected to the internet. Visit www.smartconnect.apc.com to learn more.

Log onto smartconnect.apc.com or scan the QR code on the UPS to begin the registration process. For instructions on how to register your SmartConnect-compatible UPS, visit smartconnect-support.apc.com.



By connecting this product to the Internet using the APC™ SmartConnect Ethernet port, you are agreeing to the APC™ SmartConnect Terms of Use and Data Privacy Notice, as found at smartconnect.apc.com/terms-and-privacy. The Schneider Electric Data Privacy Policy can also be found at smartconnect.apc.com/terms-and-privacy.



Select models are ENERGY STAR® qualified.

For more information on your specific model visit APC by Schneider Electric web site www.apc.com.

QR Code Links

Scan the QR code on the UPS to access the operation manual.

