

**AVC-ENN41AVT-AI-SL**  
**4MP SMART DEFENDER EYEBALL IP CAMERA**



**4MP SMART DEFENDER EYEBALL IP CAMERA**

*4MP SMART DEFENDER EYEBALL IP CAMERA WITH ADVANCED VIDEO ANALYTICS*

The AVC-ENN41AVT-AI-SL is a 4MP H.265 Eyeball IP Camera with a motorized 2.8 - 12mm auto-focus lens and featuring our newest generation of video analytics, with an integrated speaker and LEDs to warn intruders when their motion is detected. This camera supports True Day/Night mode, True WDR capabilities and also includes a microSD memory card slot for standalone recording applications.

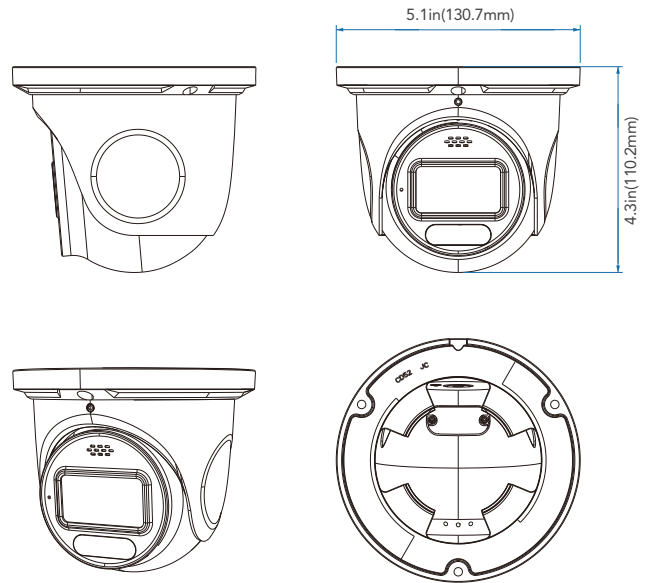
The AVC-ENN41AVT-AI-SL can be powered by both PoE(802.3af) and DC12V and also includes a hardware reset button. Integrated Video Analytics include Missing/Abandoned Objects, Line Crossing, Heat Map, Vehicle/People Counting and Facial Detection.

**FUNCTIONS**

- H.265+ / H.265 / H.264+ / H.264 / MJPEG coding
- Max. Resolution: 4MP (2560 x 1440)
- ICR auto switch, True Day/Night vision
- IR Illumination up to 164ft
- 3D DNR, True WDR, HLC,BLC, Defog, Smart IR and ROI encoding
- Support motorized zoom lens
- Support image distortion correction
- Built-in micro SD card slot, up to 256G
- DC12V / PoE power supply
- IP67 Ingress Protection
- Support Three Stream
- Support remote monitoring by smart phones & tablet PCs with iOS and Android OS
- Intelligent Analytics
- NDAA Compliant

**DIMENSIONS**

Unit : inch (mm)



**OPTIONAL ACCESSORIES**



AVM-EDMT-W-TL1  
 JUNCTION BOX



AVM-EWMT-W-TL1  
 WALL MOUNT



# SPECIFICATIONS

CAMERA																
Image Sensor	1/3" Progressive Scan CMOS															
Image Size	2592 x 1520															
Electronic Shutter	1/2s to 1/100,000s															
Iris Type	DC Iris															
Min. Illumination	Color: 0.005 lux @ F1.6(AGC ON); BW: 0 lux with IR															
IR Distance	Up to 164ft. (50m)															
Lens	Motorized 2.8 - 12 mm @ F1.4 Horizontal FoV: 98° ~ 29° Vertical FoV: 54° ~ 16° Diagonal FoV: 118° ~ 32°															
Focus	Motorized															
Lens Mount	Ø14															
Day & Night	ICR															
Wide Dynamic Range	120db															
Digital NR	3D DNR															
Backlight Compensation (BLC)	Yes															
Highlight Compensation (HLC)	Yes															
Defog	Yes															
S/N Ratio	≥50dB															
Angle Adjustment	Pan: 0°~360° ; Tilt: 0°~75° ; Rotation:0°~360°															
VIDEO IMAGE																
Video Compression	Main stream: H.265+ / H.265 / H.264+ / H.264 Sub/third stream: H.265+ / H.265 / H.264+ / H.264 / MJPEG															
H.264 Compression Standard	Baseline Profile/Main Profile/High Profile															
Resolution	4MP (2592 × 1520), 2K (2560 × 1440), 3MP (2304 × 1296), 1080P (1920 × 1080), 720P (1280 × 720), D1, CIF, 480 × 240															
Main Stream	60Hz: 4MP/2K/3MP/1080P/720P (1~30fps); 50Hz: 4MP/2K/3MP/1080P/720P (1~25fps)															
Sub Stream	60Hz: 720P/D1/CIF (1~30fps); 50Hz: 720P/D1/CIF (1~25fps)															
Third Stream	60Hz: D1/480x240/CIF (1~30fps); 50Hz: D1/480x240/CIF (1~25fps)															
Video Bit Rate	64 Kbps ~ 8 Mbps (CBR / VBR Adjustable)															
Image Settings	ROI, Saturation, Brightness, Hue, Contrast, Wide Dynamic, Sharpness, Image Mirror, Image Flip, NR, etc. adjustable through client software or web browser															
ROI	Each ROI to be configured separately															
NETWORK / INTERFACE																
Network	1 x RJ45 10M / 100M Self-Adaptive Ethernet port															
Network Protocol	UDP, DHCP, NTP, RTSP, PPPoE, DDNS, SMTP, FTP, SNMP, HTTP, 802.1x, UPnP, HTTPs, HTTP POST, QoS															
Interface Protocol	ONVIF															
Web Browser	IE11 (Plug-in required) / Google Chrome 89.0+ / Edge 89.0+ / Firefox 87.0+ / Safari 14.0+															
Online Connection	Support simultaneous monitoring for up to 10 users; Support multi-stream real time transmission															
Security	Video encryption, firmware encryption, HTTPs encryption, configuration encryption, illegal login lock, IP address filtering, 802.1x authentication, basic and digest															
Storage	Network remote storage; micro SD card storage (256GB)															
Video Output	No															
Audio	1CH built-in speaker; 1CH built-in MIC															
Audio Compression	G711A / U															
Alarm	1CH alarm input; 1CH alarm output															
Hardware Reset	Yes															
DORI DISTANCE																
	<table border="1"> <thead> <tr> <th>Lens</th> <th>Detect</th> <th>Observe</th> <th>Recognize</th> <th>Identify</th> </tr> </thead> <tbody> <tr> <td>2.8 ~ 12mm (W)</td> <td>195.73ft (59.66m)</td> <td>78.31ft (23.87m)</td> <td>39.14ft (11.93m)</td> <td>19.58ft (5.97m)</td> </tr> <tr> <td>2.8 ~ 12mm (T)</td> <td>709.67ft (216.31m)</td> <td>283.85ft (86.52m)</td> <td>141.92ft (43.26m)</td> <td>70.96ft (21.63m)</td> </tr> </tbody> </table>	Lens	Detect	Observe	Recognize	Identify	2.8 ~ 12mm (W)	195.73ft (59.66m)	78.31ft (23.87m)	39.14ft (11.93m)	19.58ft (5.97m)	2.8 ~ 12mm (T)	709.67ft (216.31m)	283.85ft (86.52m)	141.92ft (43.26m)	70.96ft (21.63m)
Lens	Detect	Observe	Recognize	Identify												
2.8 ~ 12mm (W)	195.73ft (59.66m)	78.31ft (23.87m)	39.14ft (11.93m)	19.58ft (5.97m)												
2.8 ~ 12mm (T)	709.67ft (216.31m)	283.85ft (86.52m)	141.92ft (43.26m)	70.96ft (21.63m)												
FUNCTION																
Remote Monitoring	Web Browser Interface, Mobile App, AVYCON CVMS 2.0															
Smart Alarm	Motion detection, sensor alarm, SD card error, SD card full, IP address conflict, cable disconnection, light alarm, audio alarm															
Smart Analytics	Line crossing (human/vehicle classification), region intrusion/entrance/exiting detection (human/vehicle classification), loitering detection, illegal parking detection, abandoned/missing object detection, Target counting by line/intrusion area/heat map, exception detection, face detection and face capture															
Video Metadata	Simultaneously captures human body, motor vehicle and non-motor vehicle and extracts 13 human features, 5 motor vehicle features and 1 non-motor vehicle feature															
General Function	Watermark, video mask, heartbeat, image distortion correction, corridor pattern															
GENERAL																
Power Supply	DC12V / PoE (IEEE802.3af)															
Power Consumption	<12.5W															
Operating Environment	-22°F ~ 140°F (-30°C ~ 60°C) Humidity: less than 95% (non-condensing)															
Storage Environment	-22°F ~ 149°F (-30°C ~ 65°C) Humidity: less than 95% (non-condensing)															
Dimensions (in)	Ø 4.39 × 3.92															
Weight (lb)	Approx. 1.41 lbs															
Ingress Protection	IP 66															
Certificate	CE, FCC															
Installation	Ceiling mounting; Wall mounting															
Environmental Protection	Complies with Directive EU RoHS, WEEE(2012/19/EU), directive 94/62/EC and REACH (EC1907/2006)															



**AVYCON**<sup>®</sup>

Copyright © AVYCON. All rights reserved. Specifications and pricing are subject to change without notice.

phone: 949-752-7606

email: info@avycon.com

social: @avycon\_aivo

website: avycon.com