

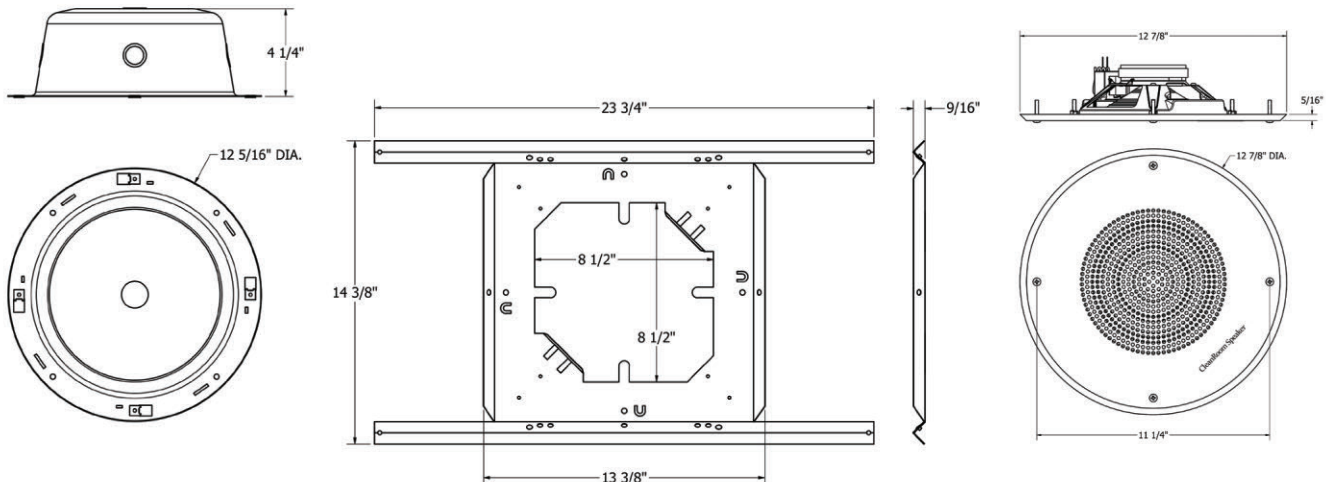
Quam SOLUTION 1CR

A complete loudspeaker/transformer/baffle solution designed for ceiling installations in clean room environments. Each installer package* includes two (2) 8" O.D., moisture resistant loudspeakers and a 5W, 25/70V transformer mounted on a round, steel baffle. Also included are two (2) rust-resistant steel, load bearing supports and two (2) round, steel backboxes. Rubber gaskets are included between the baffle mount screws and the baffle, and between the baffle and the support bridge. The baffle and enclosure have a white, powder coat finish with high durability that is resistant to scratches and typical household cleaning liquids.



* SHIPPED AS TWO (2) ENTIRE SPEAKER ASSEMBLIES

APPLICATION	Intended Use: Program Material: Installation:	Indoor clean room environment Signal tones, voice and music Downward-firing in a 24" wide, drop-tile ceiling
AUDIO PERFORMANCE	Average Sensitivity: Loudspeaker Power Rating: Calculated Output: Magnet Type & Weight: Frequency Response: Nominal Coverage Angle: Audio Connection:	94dB SPL, 1W/1M 20W RMS, EIA 426A Standard 101dB SPL, 5W/1M BeFe Ceramic, 10oz. Nominal 80Hz - 8kHz, EIA 426A Standard 100° Included Angle, -6dB/2 kHz, Half Space 7", Color-coded, Pre-tinned Leads
COMPONENT	Baffle Dimension: Backbox Dimension: Mounting Support Dimension: Combined Weight: Loudspeaker Model: Loudspeaker Specs: Transformer: Baffle: Finish: Backbox: Mounting Support: Additional Component(s):	12 7/8" (Diameter) x 5/16" (H) 12 5/16" (Diameter) x 4 1/4" (H) 23 3/4" (W) x 14 3/8" (H) x 5/16" (D) 15 lbs. 8C10PAOT 8" O.D. loudspeaker, 10oz. magnet TBLU; 5W, 25/70V, with 5 taps (0.31W, 0.63W, 1.25W, 2.5W, 5W) BR8WS (available with optional surface printing) White powder coat finish on baffle ERD8U, steel SSB-3, rust-resistant steel Rubber gaskets between baffle mount screws and baffle, and between baffle and mounting support



Note: Any damage resulting from direct spray of fluid onto the speaker cone is not covered by warranty.