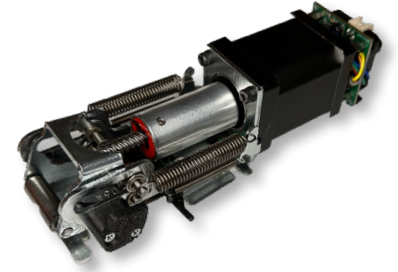


MLRK1-JAC12

- JACKSON 1275/85/95, KAWNEER 1686/1786, & AHT 8/9 SERIES
- 1 TOUCH “PTS” PUSH TO SET TECHNOLOGY
- EASY INSTALLATION - FAST, QUIET, SMOOTH
- TRUE ELECTRONIC DOGGING - FULL PUSH PAD RETRACTION
- 3 YEAR NO HASSLE WARRANTY + ADD LOCKING HARDWARE PS TO TAKE BOTH TO 5 YEARS!
- UL LISTED



The **MLRK1-JAC12** is a robust, straightforward field-installable motorized latch retraction kit for Jackson 1275/85/95, Kawneer 1686/1786, & AHT 8/9 series exit devices. It utilizes a CAT-designed custom assembly to maximize the pulling force. The only hole you’ll need to drill is the raceway! It uses our new 1 TOUCH PTS “Push to Set” technology.

SPECIFICATIONS

Voltage:

- Voltage range – 24VDC +/- 10%
- System protection - unit shutdown when voltage exceeds 28VDC
- Standard - Average Current Peak: 900mA, Average Current Hold: 215mA
- PTS Adjustment - approx. 1/4”

Wire Run:

- 300’ with 18ga wire

Product Details:

- Weight: 2 Lbs

Accessories

- Request-to-Exit - Field Installable REX kit or built-in to the kit.

FEATURES

- Next Generation MM5 Smart Module: On board diagnostics with audible feedback for adjustment and power issues
- 1 Touch “PTS”: Quick & easy post-installation adjustment
- Electric dogging rated for continuous duty - Auto re-engage if push pad is pulled from dogged position
- Low Torque Mode: Now capable of pulling all devices, even tall vertical rod doors!
- Up to 300’ wire run with 2-18ga wire - Long wire runs provides installer with convenience of placing the Command locking hardware power supply in a centralized location; i.e. the same closet as the access control panel
- 8” cable with Robust Quick Molex Connect for MM5 module to connect to incoming power.
- 3-year “No Hassle” Warranty

HOW TO ORDER

PART #	EASY ORDER #	DESCRIPTION
MLRK1-JAC12	72972	Kit for Jackson 12, Kawneer 16/17, & AHT 8/9 Series. EU 24V
MLRK1-JAC12 REX	72973	Kit for Jackson 12, Kawneer 16/17, & AHT 8/9 Series. EU 24V w/ REX
PD15REXKIT-M-ED	72990	Field Installable REX kit for MLRK1-JAC12

MLRK1-JAC12 MATRIX

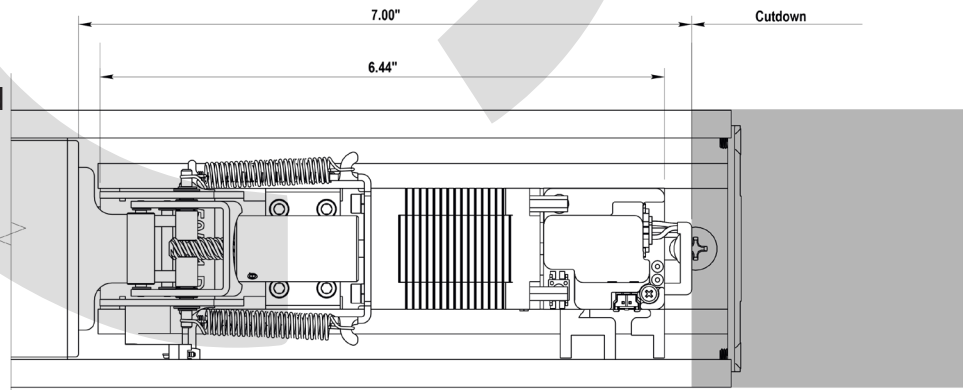
The MLRK1-JAC12 will work in new installations and as a replacement for installations with existing electrifications, matrix lists available options.

Jackson Kit	Mechanical Device	CAT Modified Solenoid	CAT Modified Motor	Kawneer Motor	SDC Motor (LR100-KWK)	AHT Motor (MEL1)
JAC12	✓	✓	✓	✓	✓	✓*

* Speciality power supply. Must swap out to a Linear Locking Hardware power supply.

Cutdown Details:

- 36/48" - 7" of Filler Plate Needed



WANT TO ADD 2 YEARS TO YOUR WARRANTY?

PAIR UP YOUR MLRK1-JAC12 WITH A LOCKING HARDWARE

POWER SUPPLIES TO TAKE BOTH TO 5 YEARS!

- PS204/PS204B
- PS220/220B
- PS480B
- PS210
- PS440B

