

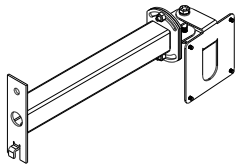
PVM Gondola Mount

SMT-1030PV

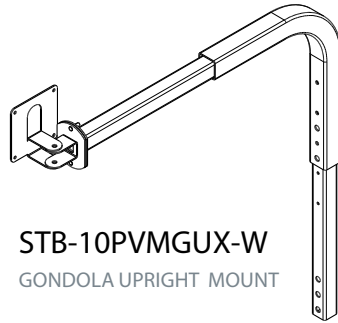
STB-10PVMCWA-W / STB-10PVMGUX-W

Material	Carbon Steel
Maximum Load	17.5 lbs (7.9 kg)
Mount Pattern	VESA 75 x 75
Product Finish	Powder Coated, White
Product weight	4.0 lbs (1.8kg) / 6.0 lbs (2.7kg)
Environment	Indoor

* Design and specifications are subject to change without notice.



STB-10PVMCWA-W
HORIZONTAL GONDOLA MOUNT



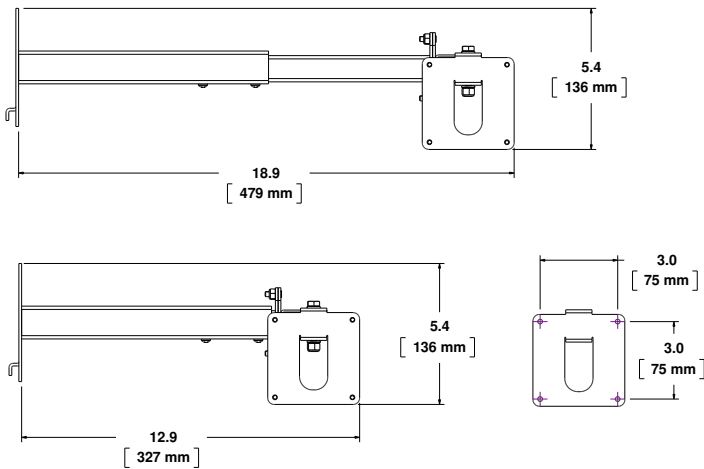
STB-10PVMGUX-W
GONDOLA UPRIGHT MOUNT

FEATURES

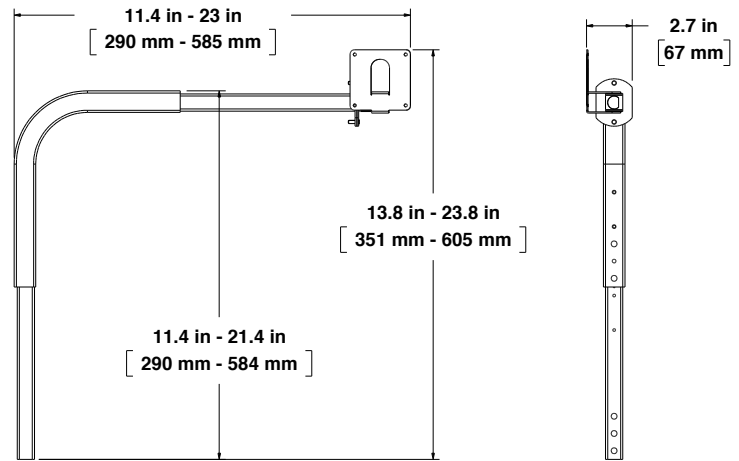
- Accommodates one SMT-1030PV 10" PVM
- Easy Length and Rotational Adjustments
- Ideal for Merchandise Level Deterrent
- Tubular Construction Serves as Cable Conduit

Dimensions

Unit: inch (mm)



STB-10PVMCWA-W
HORIZONTAL GONDOLA MOUNT



STB-10PVMGUX-W
GONDOLA UPRIGHT MOUNT