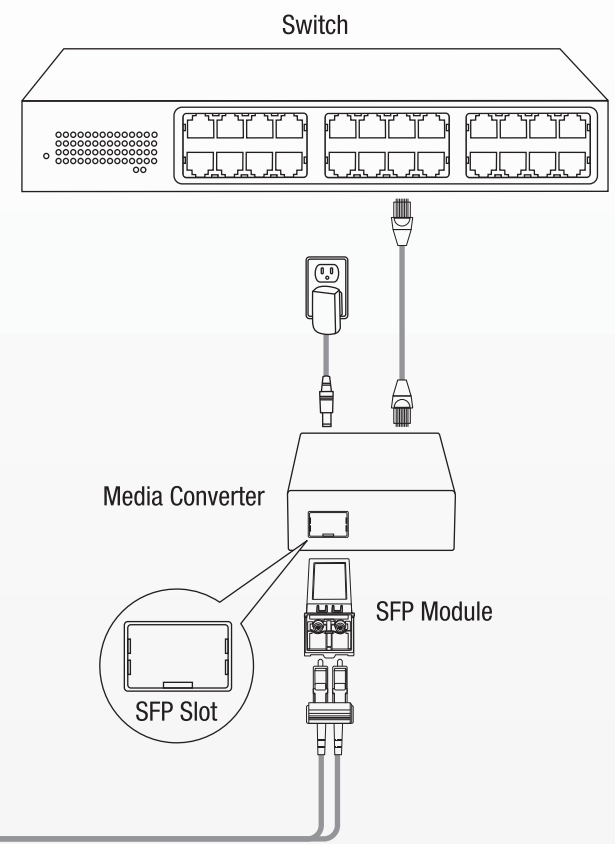
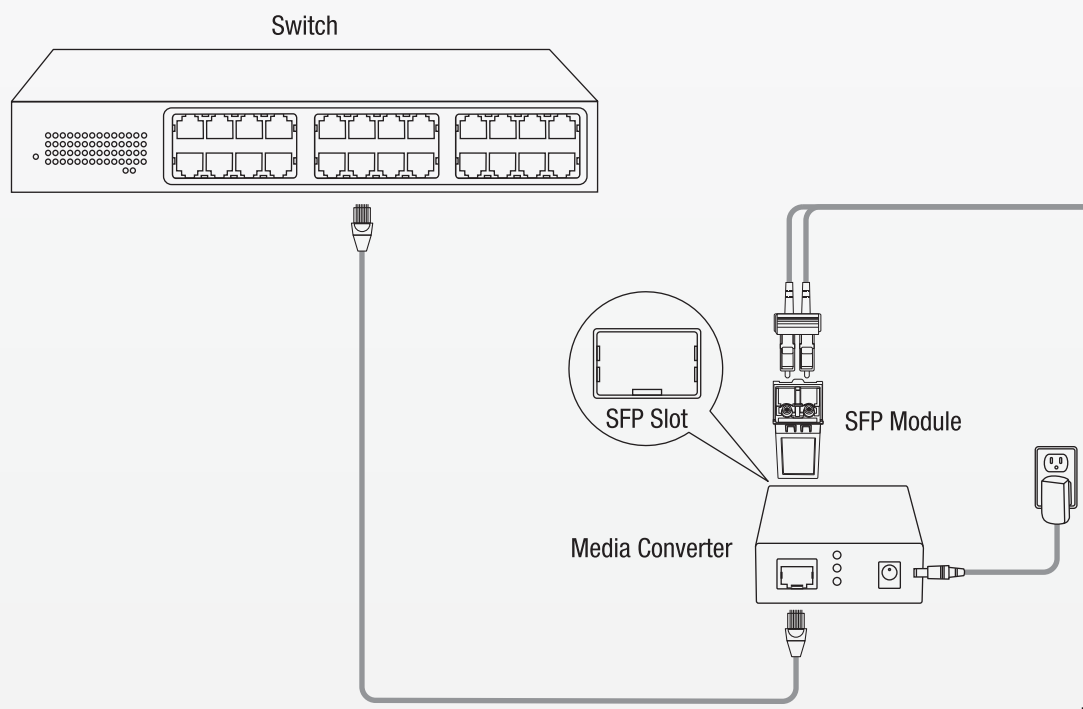


Quick Installation Guide

1000BASE-T to SFP Fiber Media Converter
TFC-GSFP

100BASE-T to SFP Fiber Media Converter
TFC-FSFP



Declaration of Conformity

TRENDnet

Manufacturer's Name and Address

TRENDnet, Inc.
20675 Manhattan Place
Torrance, CA 90501 USA

Zwolsestraat 156 2587 WB
The Hague The Netherlands

Product Information:

Model Number: TFC-GSFP
TFC-FSFP
Product Name: 1000BASE-T to SFP Fiber Media Converter
100BASE-T to SFP Fiber Media Converter

Trade Name: TRENDnet

Safety EN 60950-1:2006 + A11:2009 + A1:2010 + A12:2011 + A2:2013

EMC EN 55022: 2010 +AC: 2011 Class B
EN 61000-3-2: 2014
EN 61000-3-3: 2013
EN 55024: 2010

This product is herewith confirmed to comply with the Directives.

Directives: LVD Directive 2014/35/EC
EMC Directive 2014/30/EC
RoHS Directive 2011/65/EU
WEEE Directive 2012/19/EU
REACH Regulation (EC) No. 1907/2006

Person responsible for this declaration.

Place of Issue: Torrance, California, USA

Date: November 07, 2017

Name: Sonny Su

Title: Director of Technology

Signature:



Déclaration de conformité

TRENDnet

Nom et adresse du fabricant

TRENDnet, Inc.
20675 Manhattan Place
Torrance, CA 90501 USA

Zwolsestraat 156 2587 WB
The Hague The Netherlands

Détails du produit

Modèle: TFC-GSFP
TFC-FSFP
Nom du produit: Convertisseur de médias 1000 Base-T vers Fibre SFP
Convertisseur de médias 100 Base-T vers Fibre SFP

Nom Commercial: TRENDnet

Sécurité EN 60950-1:2006 + A11:2009 + A1:2010 + A12:2011 + A2:2013

CEM EN 55022: 2010 +AC: 2011 Class B
EN 61000-3-2: 2014
EN 61000-3-3: 2013
EN 55024: 2010

Ce produit est conforme à la directives suivante.

Directives: Ldirective LVD 2014/35/UE
Directive CEM 2004/108/UE, 2014/30/UE
Directive RoHS 2011/65/UE
Directive WEEE 2012/19/UE
REACH Règlement (UE) N° 1907/2006

Personne responsable de cette déclaration.

Lieu de délivrance: Torrance, California, USA

Date: Novembre 07, 2017

Nom: Sonny Su

Title: Director of Technology

Signature:



Certifications

This device complies with Part 15 of the FCC Rules. Operation is subject to the following two conditions:

- (1) This device may not cause harmful interference.
- (2) This device must accept any interference received. Including interference that may cause undesired operation.



Waste electrical and electronic products must not be disposed of with household waste. Please recycle where facilities exist. Check with your Local Authority or Retailer for recycling advice.

Applies to PoE Products Only: This product is to be connected only to PoE networks without routing to the outside plant.

Note

The Manufacturer is not responsible for any radio or TV interference caused by unauthorized modifications to this equipment. Such modifications could void the user's authority to operate the equipment.

Advertencia

En todos nuestros equipos se mencionan claramente las características del adaptador de alimentación necesario para su funcionamiento. El uso de un adaptador distinto al mencionado puede producir daños físicos y/o daños al equipo conectado. El adaptador de alimentación debe operar con voltaje y frecuencia de la energía eléctrica domiciliar existente en el país o zona de instalación.

Technical Support

If you have any questions regarding the product installation, please contact our Technical Support.

Toll free US/Canada: **1-866-845-3673**

Regional phone numbers available at www.trendnet.com/support

Product Warranty Registration

Please take a moment to register your product online.

Go to TRENDnet's website at:

www.trendnet.com/register

TRENDnet

20675 Manhattan Place
Torrance, CA 90501
USA

Limited Warranty

TRENDnet warrants its products against defects in material and workmanship, under normal use and service. Specific warranty periods are listed on each of the respective product pages on the TRENDnet website.

Garantie Limitée

TRENDnet garantit ses produits contre les problèmes de matériel ou de fabrication, dans des conditions normales d'utilisation et de service. Les périodes de garanties précises sont mentionnées sur chacun des pages produits du site web de TRENDnet.

Eingeschränkte Garantie

TRENDnet gewährt eine Garantie für seine Produkte im Falle von Material- und Bearbeitungsdefekten, bei normaler Verwendung und Wartung. Spezielle Garantiezeiträume werden auf jeder Produktseite auf der Website von TRENDnet genannt.

Garantía limitada

TRENDnet garantiza que sus productos carecen de defectos en el material y la fabricación, en condiciones de uso y funcionamiento normales. Los periodos específicos de garantía figuran en cada una de las páginas de producto del sitio web de TRENDnet.

Ограниченная гарантия

Компания TRENDnet предоставляет гарантию на свои изделия от дефектов материалов и сборки при нормальном использовании и обслуживании. Конкретные гарантийные сроки указаны на странице каждого продукта на сайте компании TRENDnet.

Garantia Limitada

A TRENDnet garante seus produtos contra defeitos de material e mão de obra sob condições normais de uso e serviço. Os períodos de garantia específicos estão listados em cada uma das páginas dos respectivos produtos no site da TRENDnet.

Piiratud garantii

TRENDneti garantii hõlmab materjali- ja koostamisdefekte, mis ilmnevad toote tavapärasel kasutamisel. Garantiiaja täpne pikkus konkreetsel tootel on leitud TRENDneti kodulehel vastava toote infolehel.

Garanzia limitata

TRENDnet garantisce i propri prodotti da difetti di materiali e manodopera, in condizioni di normale uso ed esercizio. I periodi di garanzia specifici sono elencati sulle rispettive pagine di prodotto sul sito TRENDnet.