

TRENDnet[®]



Quick Installation Guide
TEW-840APB02K (V1)

Table of Contents

1 English

1. Before You Start
2. Hardware Setup and Configuration
3. Hardware Installation

1. Before You Start

Package Contents

- 2 x TEW-840APB0
- Quick Installation Guide
- 2 x Proprietary/Passive PoE injectors (24V DC, 0.6A)
- Mounting Hardware

Minimum Requirements

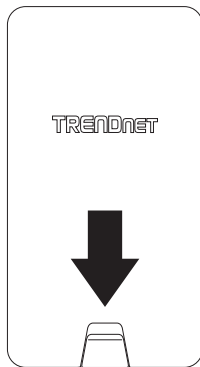
- Computer with a network port and web browser
- A network switch or router with an available network LAN port
- 4 x RJ-45 network cables

Note:

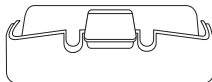
The TEW-840APB0 does not support IEEE 802.3at/af PoE standards. You must use the proprietary/passive power over Ethernet injector that is supplied with the TEW-840APB0. The RJ-45 Ethernet cable between the passive PoE injector and access point can have a maximum length of up to 60 m (197 ft.).

2. Hardware Setup and Configuration

1. Remove the cover of the access point by pulling and holding the bottom tab in the vertical direction down (based on the access point orientation below) and sliding the cover below away from the access point.



Pull and hold tab



Note:

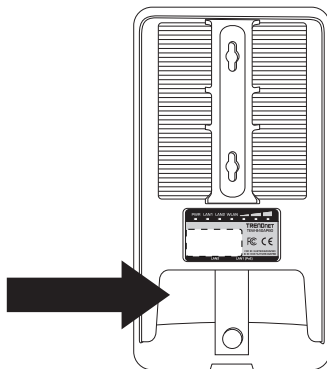
By default, the TEW-840APBO access points are preconfigured to establish a point-to-point WDS connection between each other using a unique predefined WPA2-PSK encryption key. For convenience, a unique predefined admin password has already been assigned to both access points. You can find the preconfigured access point settings on the device label beneath the cover where the Ethernet ports are located. No additional configuration is required.

Unit 1

<p>AP1</p> <p>Model: TEW-840APBO /A</p> <p>IP Address: 192.168.10.50</p> <p>Subnet Mask: 255.255.255.0</p> <p>User Name: admin</p> <p>Password: XXXXXXXX</p> <p>AP1 Mode: WDS AP</p> <p>AP1 SSID: TRENDnet840_XXXX</p> <p>AP1 WPA2 Key: 840XXXXXXXXX</p> <p>Default Channel: 48</p>

Unit 2

<p>AP2</p> <p>Model: TEW-840APBO /A</p> <p>IP Address: 192.168.10.51</p> <p>Subnet Mask: 255.255.255.0</p> <p>User Name: admin</p> <p>Password: XXXXXXXX</p> <p>AP2 Mode: WDS Station</p> <p>AP1 SSID: TRENDnet840_XXXX</p> <p>AP1 WPA2 Key: 840XXXXXXXXX</p> <p>Default Channel: 48</p>

**Important Note:**

Verify connectivity between the two access points before mounting.

Aside from the preconfigured WDS connection settings, the TEW-840APB0 access points will also be configured with the following default settings:

TEW-840APB0 #1

IP Address: 192.168.10.50

Netmask (Subnet Mask): 255.255.255.0

IP Gateway (Default Gateway): 192.168.10.1

Primary DNS: 192.168.10.1

Wireless Channel Default: 48

WDS Access Point Mode (TDMA)

WPA2-PSK Encryption

TEW-840APB0 #2

IP Address: 192.168.10.51

Netmask (Subnet Mask): 255.255.255.0

IP Gateway (Default Gateway): 192.168.10.1

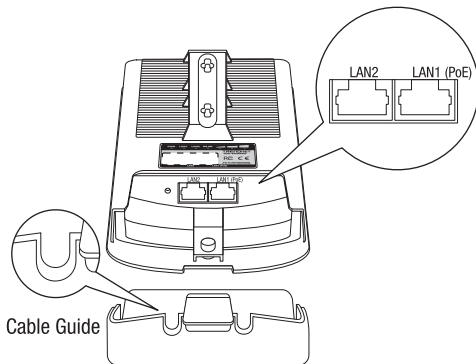
Primary DNS: 192.168.10.1

Wireless Channel Default: 48

WDS Access Point Mode (TDMA)

WPA2-PSK Encryption

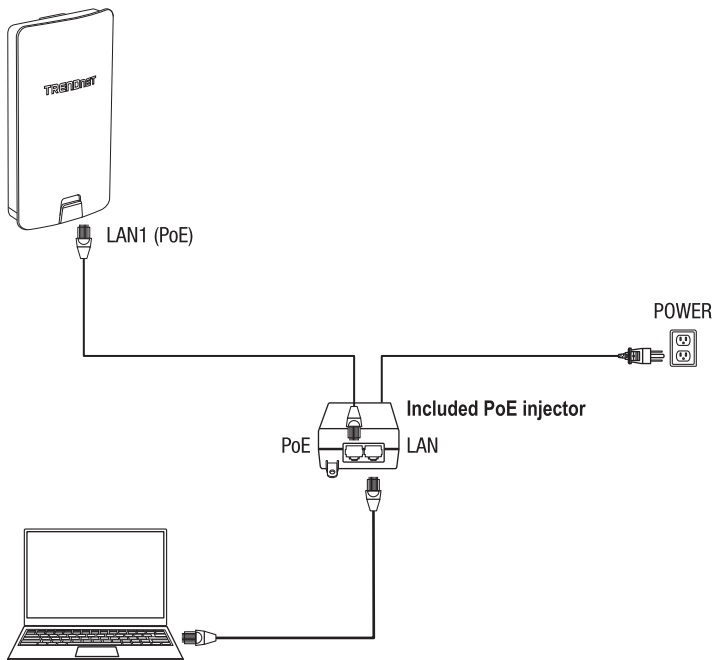
- Using a network cable, connect one end of the cable to the LAN1 (PoE) port.



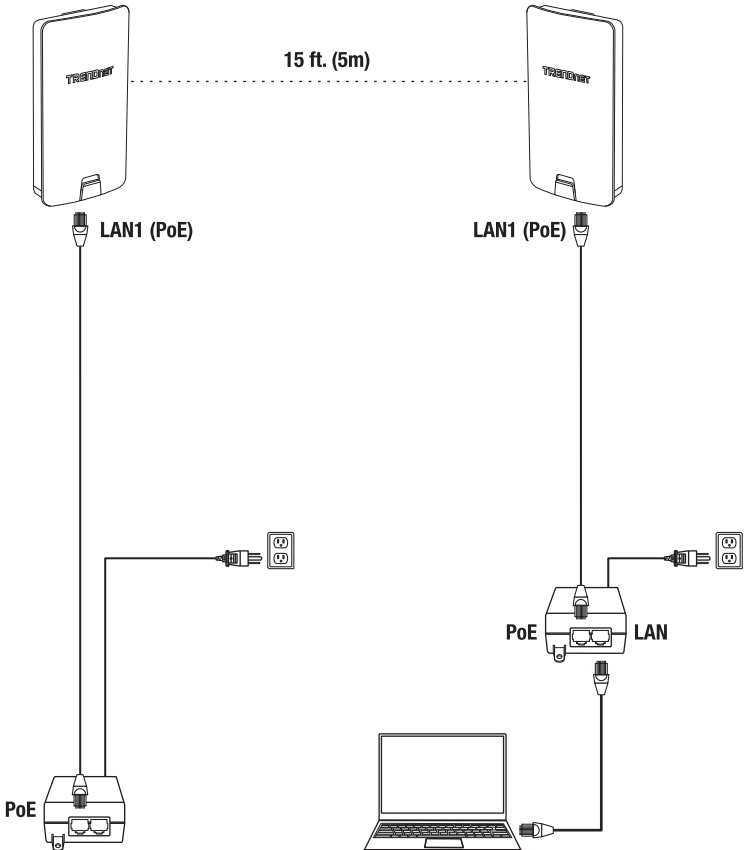
3. Connect the other end of the network cable to the **PoE** port on the included PoE injector.
4. Attach the power cord to the PoE injector and plug the connected power cord into a power outlet.
5. Confirm the device is powered on through the LED indicators.

Note: Repeat Steps 1-5 to power on and connect the second access point.

6. Assign a static IP address to your computer's network adapter in the subnet of 192.168.10.x (e.g. 192.168.10.10) and subnet mask of 255.255.255.0.
7. Using another network cable, connect one end to the LAN port on the included PoE injector for either the first or second access point.
8. Connect the other end of the network cable to your computer's Ethernet port.



9. Make sure both access points are powered on approximately 15 ft. (5 m) apart from one another with front of access points directly facing each other.

TEW-840APB0 #1**TEW-840APB0 #2**

10. To verify connectivity on your computer, open a command prompt or terminal application window and type in the following commands.

Note: In Windows®, you can use the Command Prompt application and in Mac®, you can use the Terminal application to run the commands for connectivity testing.

```
ping 192.168.10.50
```

```
<Press Enter and wait for result>
```

```
ping 192.168.10.51
```

```
<Press Enter and wait for result>
```

11. A successful connectivity test will appear similar to the result below for each access point. Ping replies and 0% packet loss will indicate a successful point to point bridge connection between the two access points.

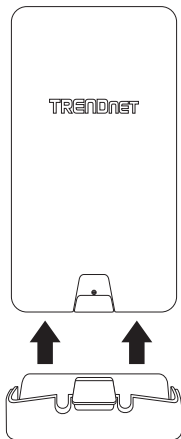
```
PING 192.168.10.50 (192.168.10.50): 64 data bytes
72 bytes from 192.168.10.50: seq=0 ttl=64 time=3.908 ms
72 bytes from 192.168.10.50: seq=1 ttl=64 time=1.424 ms
72 bytes from 192.168.10.50: seq=2 ttl=64 time=2.123 ms
72 bytes from 192.168.10.50: seq=3 ttl=64 time=2.250 ms

--- 192.168.10.50 ping statistics ---
4 packets transmitted, 4 packets received, 0% packet loss
round-trip min/avg/max = 1.424/2.426/3.908 ms
```

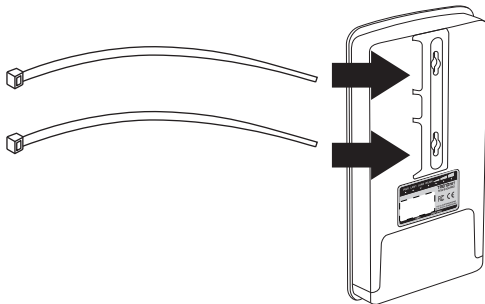
Note: If the connectivity test fails, wait for about a minute and try again. Make sure there are no obstacles between the two access points when running the connectivity test and make sure the two access points are not too close together.

3. Hardware Installation

1. Reinstall the cover by lining up the guide into the notch as shown and push until the cover clips into place and is secured. The cover includes cable openings to route the connected Ethernet cable(s) when installing.

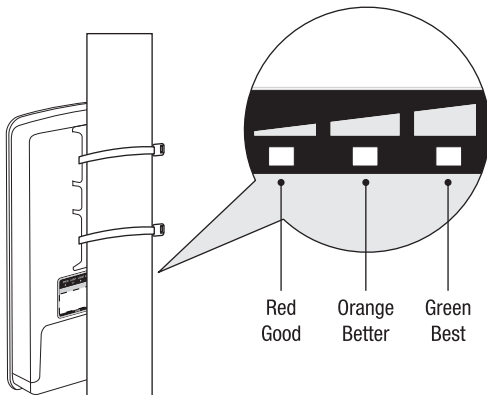


2. Insert the included fasteners through the holes located at the back of the access point.



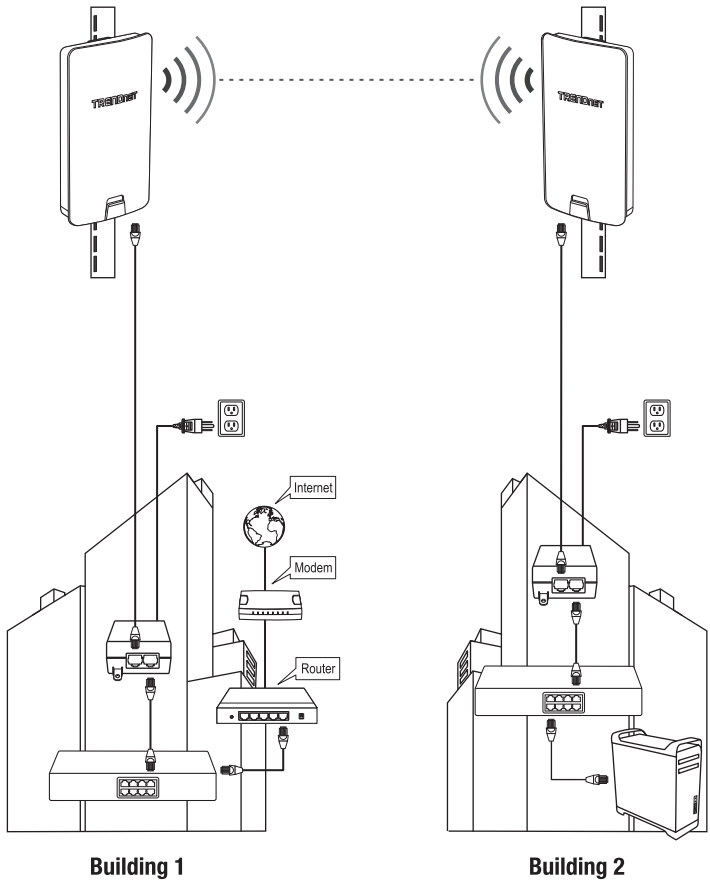
3. Wrap the fasteners around the pole where the access points will be installed. On the fasteners, insert the open end into the locking mechanism and pull tight until the access point is secured.

Note: When set to WDS station mode, the TEW-840APB0 features WiFi signal strength connectivity LEDs located on the back of the access point to assist in determining the optimal mounting position. (Red = Good, Orange = Better, Green = Best)



4. After the access points are properly mounted, you can connect the RJ-45 cables from each access point to your network.

Completed Installation Reference



Federal Communication Commission Interference Statement

This device complies with Part 15 of the FCC Rules. Operation is subject to the following two conditions:

(1) This device may not cause harmful interference, and (2) this device must accept any interference received, including interference that may cause undesired operation.

This equipment has been tested and found to comply with the limits for a Class B digital device, pursuant to Part 15 of the FCC Rules. These limits are designed to provide reasonable protection against harmful interference in a residential installation. This equipment generates, uses and can radiate radio frequency energy and, if not installed and used in accordance with the instructions, may cause harmful interference to radio communications. However, there is no guarantee that interference will not occur in a particular installation. If this equipment does cause harmful interference to radio or television reception, which can be determined by turning the equipment off and on, the user is encouraged to try to correct the interference by one of the following measures:

- Reorient or relocate the receiving antenna.
- Increase the separation between the equipment and receiver.
- Connect the equipment into an outlet on a circuit different from that to which the receiver is connected.
- Consult the dealer or an experienced radio/TV technician for help.

FCC Caution: Any changes or modifications not expressly approved by the party responsible for compliance could void the user's authority to operate this equipment.

This transmitter must not be co-located or operating in conjunction with any other antenna or transmitter.

Radiation Exposure Statement:

This equipment complies with FCC radiation exposure limits set forth for an uncontrolled environment. This equipment should be installed and operated with minimum distance 25cm between the radiator & your body.

Professional installation instruction

1. Installation personal

This product is designed for specific application and needs to be installed by a qualified personal who has RF and related rule knowledge. The general user shall not attempt to install or change the setting.

2. Installation location

The product shall be installed at a location where the radiating antenna can be kept 25cm from nearby person in normal operation condition to meet regulatory RF exposure requirement.

3. External antenna

Use only the antennas which have been approved by the applicant. The non-approved antenna(s) may produce unwanted spurious or excessive RF transmitting power which may lead to the violation of FCC limit and is prohibited.

4. Installation procedure

Please refer to user's manual for the detail.

5. Warning

Please carefully select the installation position and make sure that the final output power does not exceed the limit set force in relevant rules. The violation of the rule could lead to serious federal penalty.

No.	Type	Connector	Gain (dBi)			Remark
1	Patch	I-PEX	Ant. 1 (5150-5850MHz)		Ant. 2 (5150-5850MHz)	For Model: TEW-840APB0 and TEW-840APB02K use only
			13.35		13.42	
2	Dipole	RSMA	5150MHz	5550MHz	5850MHz	For Model: TEW-840APB0 use only
			5.12	5.09	5.17	
3	Patch	I-PEX	Ant. 1 (5150-5925MHz)		Ant. 2 (5150-5925MHz)	For Model: TEW-840APB0 and TEW-840APB02K use only
			15.5		15.5	

Industry Canada statement:

This device complies with ISED's license-exempt RSSs. Operation is subject to the following two conditions: (1) This device may not cause harmful interference, and (2) this device must accept any interference received, including interference that may cause undesired operation.

Le présent appareil est conforme aux CNR d'ISED applicables aux appareils radio exempts de licence. L'exploitation est autorisée aux deux conditions suivantes : (1) le dispositif ne doit pas produire de brouillage préjudiciable, et (2) ce dispositif doit accepter tout brouillage reçu, y compris un brouillage susceptible de provoquer un fonctionnement indésirable.

Caution:

- (i) for devices with detachable antenna(s), the maximum antenna gain permitted for devices in the band 5725-5850 MHz shall be such that the equipment still complies with the e.i.r.p. limits as appropriate;
- (ii) where applicable, antenna type(s), antenna models(s), and worst-case tilt angle(s) necessary to remain compliant with the e.i.r.p. elevation mask requirement set forth in section 6.2.2.3 shall be clearly indicated.

Avertissement:

- (i) pour les dispositifs munis d'antennes amovibles, le gain maximal d'antenne permis (pour les dispositifs utilisant la bande de 5 725 à 5 850 MHz) doit être conforme à la limite de la p.i.r.e. spécifiée, selon le cas;
- (ii) lorsqu'il y a lieu, les types d'antennes (s'il y en a plusieurs), les numéros de modèle de l'antenne et les pires angles d'inclinaison nécessaires pour rester conforme à l'exigence de la p.i.r.e. applicable au masque d'élévation, énoncée à la section 6.2.2.3, doivent être clairement indiqués.

Radiation Exposure Statement:

This equipment complies with ISED radiation exposure limits set forth for an uncontrolled environment. This equipment should be installed and operated with greater than 25cm between the radiator & your body.

Déclaration d'exposition aux radiations:

Cet équipement est conforme aux limites d'exposition aux rayonnements ISED établies pour un environnement non contrôlé. Cet équipement doit être installé et utilisé à plus de 25cm entre le radiateur et votre corps.

Approved Antenna list

Type	Gain	Brand	Manufacturer
Patch Antenna	13.35	SENAO NETWORKS	SENAO NETWORKS
Patch Antenna	13.42	SENAO NETWORKS	SENAO NETWORKS

Professional installation instruction

1. Installation personal

This product is designed for specific application and needs to be installed by a qualified personal who has RF and related rule knowledge. The general user shall not attempt to install or change the setting.

2. Installation location

The product shall be installed at a location where the radiating antenna can be kept 25cm from nearby person in normal operation condition to meet regulatory RF exposure requirement.

3. External antenna

Use only the antennas which have been approved by the applicant. The non-approved antenna(s) may produce unwanted spurious or excessive RF transmitting power which may lead to the violation of FCC/IC limit and is prohibited.

4. Installation procedure

Please refer to user's manual for the detail.

5. Warning

Please carefully select the installation position and make sure that the final output power does not exceed the limit set force in relevant rules. The violation of the rule could lead to serious federal penalty.

Instructions d'installation professionnelle

1. Installation

Ce produit est destine a un usage specifique et doit etre installe par un personnel qualifie maitrisant les radiofrequences et les regles s'y rapportant. L'installation et les réglages ne doivent pas etre modifiés par l'utilisateur final.

2. Emplacement d'installation

En usage normal, afin de respecter les exigences reglementaires concernant l'exposition aux radiofrequences, ce produit doit etre installe de facon a respecter une distance de 25cm entre l'antenne emettrice et les personnes.

3. Antenn externe.

Utiliser uniuquement les antennes approuvees par le fabricant. L'utilisation d'autres antennes peut conduire a un niveau de rayonnement essentiel ou non essentiel depassant les niveaux limites definis par FCC/IC, ce qui est interdit.

4. Procedure d'installation

Consulter le manuel d'utilisation.

5. Avertissement

Choisir avec soin la position d'installation et s'assurer que la puissance de sortie ne depasse pas les limites en vigueur. La violation de cette regle peut conduire a de serieuses penalites federa.

Certifications

This device complies with Part 15 of the FCC Rules.

Operation is subject to the following two conditions:

- (1) This device may not cause harmful interference.
- (2) This device must accept any interference received.

Including interference that may cause undesired operation.



Waste electrical and electronic products must not be disposed of with household waste. Please recycle where facilities exist. Check with your Local Authority or Retailer for recycling advice.

Technical Support

If you have any questions regarding the product installation, please contact our Technical Support.

Toll free US/Canada: **1-855-373-4741**

Regional phone numbers available

at www.trendnet.com/support

TRENDnet

20675 Manhattan Place

Torrance, CA 90501

USA

Applies to PoE Products Only: This product is to be connected only to PoE networks without routing to the outside plant.

Note

The Manufacturer is not responsible for any radio or TV interference caused by unauthorized modifications to this equipment. Such modifications could void the user's authority to operate the equipment.

Advertencia

En todos nuestros equipos se mencionan claramente las características del adaptador de alimentación necesario para su funcionamiento. El uso de un adaptador distinto al mencionado puede producir daños físicos y/o daños al equipo conectado. El adaptador de alimentación debe operar con voltaje y frecuencia de la energía eléctrica domiciliar existente en el país o zona de instalación.

Product Warranty Registration

Please take a moment to register your product online. Go to TRENDnet's website at www.trendnet.com/register