

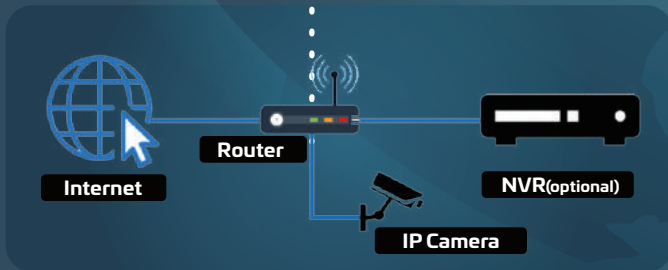
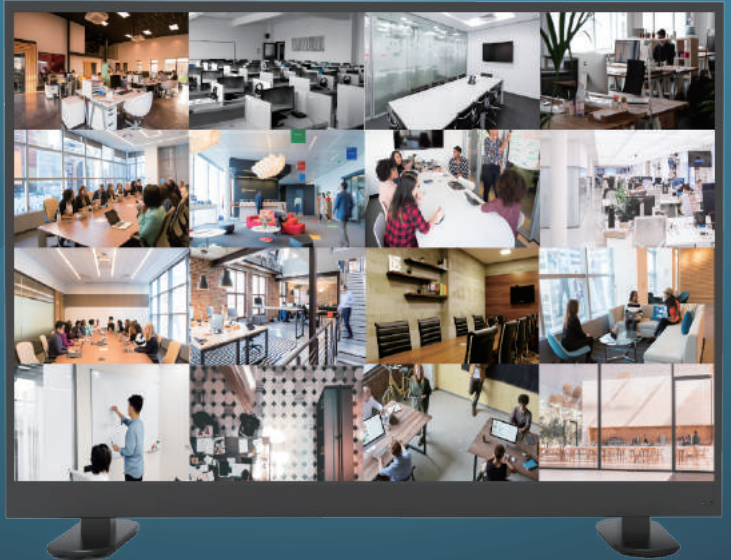
32" IP Streaming Monitor

32IPS16F

16-channel

3-in-1

[Live stream, 16 Channel, one 32" monitor]



OVERVIEW

32IPS16F can view up to 16 HD cameras directly onto the monitor without connecting through a VMS Server. It can be used in various places such as office environments, stores, educational institution and is the most ideal product for a network live streaming security monitor. The live stream can be viewed through via phone, tablet, PC/ laptop when connect to the same network.

FEATURES

- » Supports up to 16 channels, 16 channels monitoring in one screen
- » ONVIF compatible
- » Easy search and registration
- » System status monitoring
- » HDMI In, VGA In, Audio In, LAN In
- » Supports system, camera bandwidth, network status monitoring
- » Various camera layout and viewing mode are available

APPLICATION

- | | |
|----------------------------|--------------------------|
| » Security / Control Rooms | » Health Care & Medical |
| » Retail | » Government |
| » Universities & colleges | » Financial Institutions |
| » Corporations | » Hospitality |
| » Transportation | » Casino |

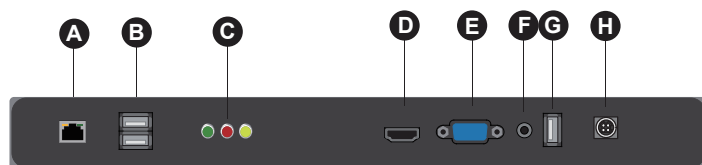


SPECIFICATIONS

32IPS16F	
Display	
Screen Size	32Inch
Max. Resolution	1920 x 1080 @ 60Hz
Pixel Pitch	0.364 x 0.364mm
Brightness	450cd/m ²
Contrast Ratio	1300 : 1
Aspect Ratio	16 : 9
Viewing Angle (H/V)	178° / 178°
Display Color	16.7Million
Response Time	< 22ms (Gray to Gray)
Video System	NTSC / PAL
Interface	
LAN (RJ45)	1 In
VGA In (15Pin D-Sub)	1 In
HDMI In	1 In
Audio In for VGA(Stereo mini jack)	1 In
USB1 (to control IP function)	1 In
USB2 (FW update for Monitor)	1 In
Transmitter	
Remote Control	Yes
Audio	
Built-in Speakers	Yes (1W x 2)
IP specifications	
LAN	10/100/1000 Base-TX Ethernet
Protocol	TCP/IP (static, DHCP), DDNS and UPnP
Camera Input	Max 16 Channel ONVIF
Screen Mode	1,4,9 and 16-channel view mode, sequence
General	
Outline Dimension (w/ stand)	732 x 486.35 x 160mm (28.82" x 19.15" x 6.30")
Net Weight	16.00kg / 35.27lbs
Material / Color	Electronic galvanized iron / Black
Desk Top Stand	Yes
Consumption: < On	<45 W AC/DC adaptor 24V
Operating Temperature	0° ~ 40°C / 32° ~ 104°F
Storage Temperature	-20° ~ 60°C / -4° ~ 140°F
Mounts	
VESA™ Mount Size	200 x 200mm

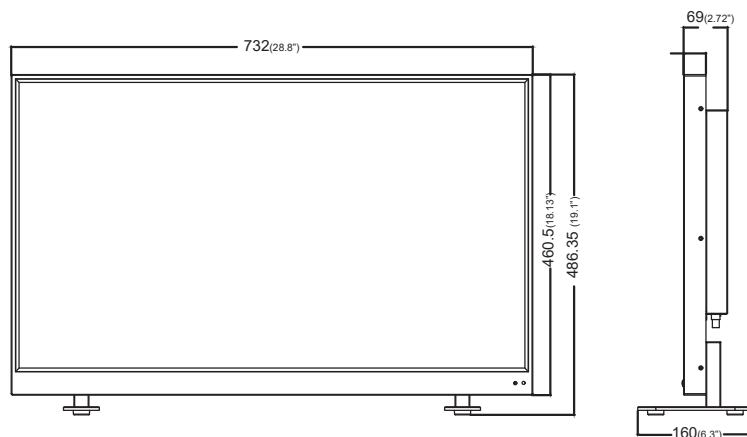
*Design and specifications are subject to change without notice

INPUT INTERFACE



- A** LAN
- B** USB
- C** Indicator light
- D** HDMI In
- E** VGA In
- F** PC Stereo In
- G** USB (Update)
- H** DC 24V

DIMENSIONS



ADVANTAGES

Network-based remote Video output

It is a network-based monitor that can receive the camera's signal as HD video through a simple network connection without the need for complicated software or devices.



ONVIF IP Camera



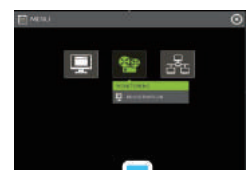
Network



16 cam monitoring

It is compatible with ONVIF IP camera and supports automatic camera search.

How to connect & set IP Camera



IP Login



Set Registration (camera connect)



Remote setting