

Quick Start Guide

AD-S5T

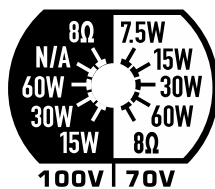
Set the Transformer Tap Switch

See Table 1 and Figures 1 and 2.

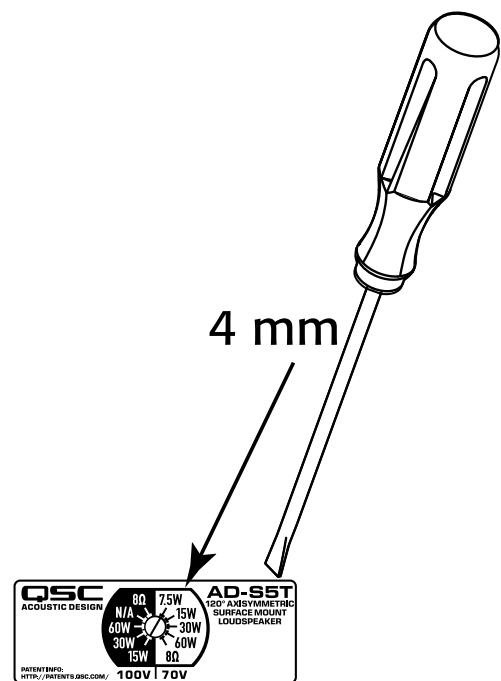
AD-S5T

100 Volt	70 Volt
8 Ω	8 Ω
N/A	60W
60W	30W
30W	15W
15W	7.5W

— Table 1 —



— Figure 1 —



— Figure 2 —

TD-001618-00-A



Install the X-Mount™ Bracket



WARNING! Install the system in accordance with local building codes and regulations. Use a licensed contractor or professional engineer. QSC is not responsible for damages resulting from the negligent installation of any bracket or loudspeaker.

See Figure 3.

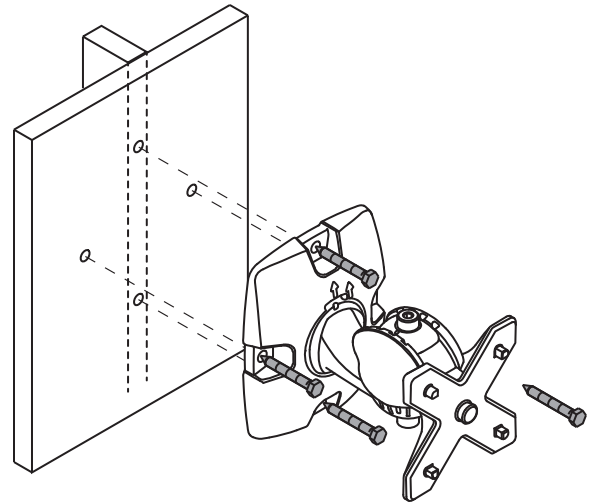
Mount to a surface capable of supporting the weight of the loudspeaker.

Adjust the Angle of the Bracket

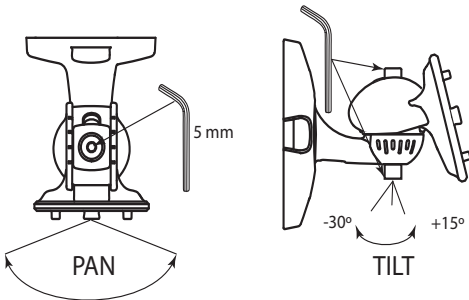
See Figure 4.



NOTE: This step may be done now or after mounting the loudspeaker.



— Figure 3 —



— Figure 4 —

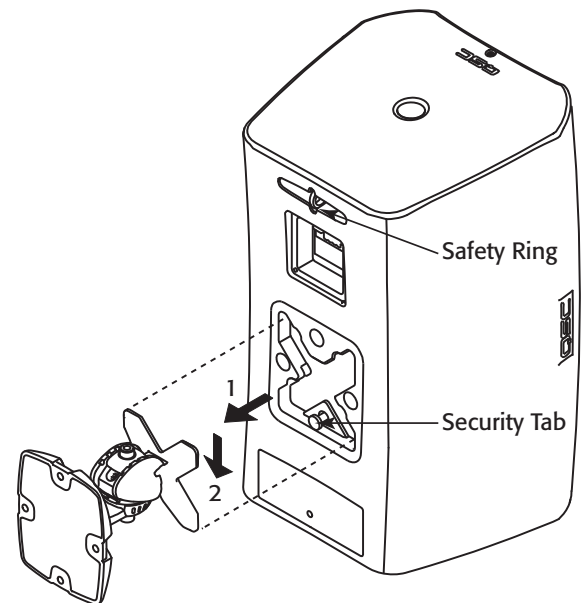
Pan	Tilt	Yaw
+/- 75°	+15°, -30°	N/A

Mount the Loudspeaker on the X-Mount™ Bracket

See Figure 5.



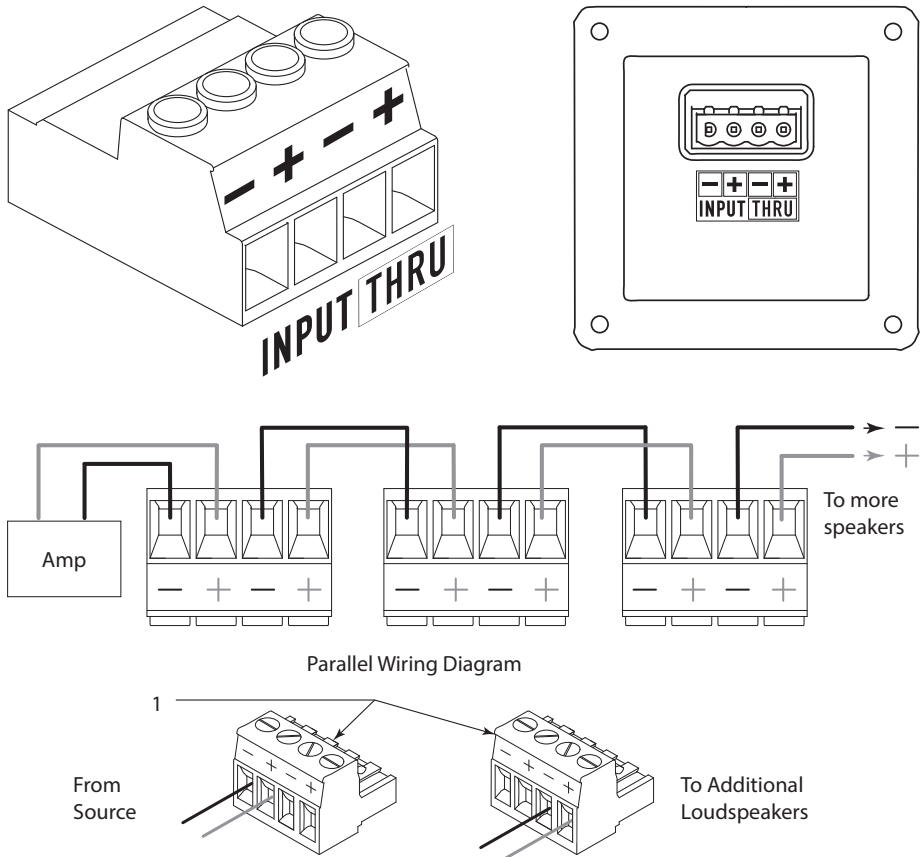
WARNING! The X-Mount supplied with the AD-S5T is specifically designed for the working load of the loudspeaker. These mounts are not interchangeable among models. Only use the X-Mount supplied with your loudspeaker.



— Figure 5 —

Wire the Loudspeaker

See Figure 6.



— Figure 6 —

Warranty

For a copy of the QSC Limited Warranty, visit the QSC, LLC website at www.qsc.com



Mailing Address:

QSC, LLC
1675 MacArthur Boulevard
Costa Mesa, CA 92626-1468 USA

Facsimile Numbers:

Sales & Marketing FAX: +1 (714) 754-6174
Customer Service FAX: +1 (714) 754-6173

Telephone Numbers:

Main Number: +1 (714) 754-6175
Sales & Marketing: +1 (714) 957-7100 or toll free
(USA only) (800) 854-4079
Customer Service: +1 (714) 957-7150 or toll free (USA
only) (800) 772-2834

World Wide Web:

www.qsc.com

E-mail:

info@qsc.com
tech_support@qsc.com

If you would like a full copy of the user manual, visit the QSC website at www.qsc.com, or contact Customer Service +1 714 957-7150 or toll free (USA only) (800) 772-2834 to receive a copy by mail.

Si desea obtener una copia completa del manual del usuario, visite el sitio web de QSC en www.qsc.com, o póngase en contacto con el Servicio al Cliente al +1 714 957-7150 o sin costo (sólo en EE.UU.) al (800) 772-2834 para recibir una copia por correo.

Pour obtenir un exemplaire complet du manuel d'utilisation, allez sur le site Web QSC à www.qsc.com ou contactez le service clientèle au +1 714 957-7150 ou au (800) 772-2834 (numéro vert - USA seulement) pour recevoir un exemplaire par courrier.

Ein vollständiges Exemplar des Benutzerhandbuchs finden Sie auf der QSC-Website unter www.qsc.com. Sie können sich unter +1 714 957-7150 oder unter der (nur in den USA) gebührenfreien Nummer +1 (800) 772-2834 auch an den Kundendienst wenden, um sich ein Exemplar zuschicken zu lassen.

如果您需要产品用户手册的完整副本，请访问 QSC 音频产品网站 www.qsc.com，或致电客户服务部门 +1 714 957-7150，或拨打免费电话（仅限美国）(800) 772-2834 通过邮件获取副本。

Если вам нужна полная копия руководства пользователя CXD, посетите веб-сайт QSC на www.qsc.com или свяжитесь со службой по работе с клиентами (+1 714 957-7150 или по бесплатному телефону (только для США) (800) 772-2834) для получения копии по почте.

وأ www.qsc.com في قية مرسلا تاجت نم ل ق.م.ش ع قو ل ل قراي ز ك ن ك مري ، م ر د خ ت س م ل ل ل ي ل د ن م ة ل م ر ك ة خ س ن ل ل ع ل و ص ح ل ل ي ف ب غ ر ت ت ن ك ا ذ ا
د ي ر ب ل ل ق ي ر ط ن ع ة خ س ن ل ل ع ل و ص ح ل ل ل (8 0 0) 7 7 2 - 2 8 3 4 (ط ق ف ة د ح ت م ل ل ت ا ي ا ل و ل ا) ي ن ا ج م ل ل م ر ق ر ل ل ي ل ع و ا + 1 7 1 4 9 5 7 - 7 1 5 0 ا ل م ر ع ل ل ة م ر د خ ب ل ل ا ص ت ا ل ل