

DS-2DE4A225IW-DE

Value Series 2 MP Outdoor 25x Network IR PTZ Camera

DarkFighter™



- **1/2.8" Progressive Scan CMOS**
- **Up to 1920 x 1080 Resolution**
- **Minimum Illumination:**
Color: 0.005 Lux @ (f/1.6, AGC on)
B/W: 0.001 Lux @ (f/1.6, AGC on)
0 Lux with IR
- **H.265+/H.265 Video Compression**
- **25x Optical Zoom, 16x Digital Zoom**
- **Smart Tracking, EIS, Defog**
- **120 dB WDR**
- **Smart Detection: Line Crossing, Intrusion, Region Enter/Exit**
- **IP66 Protection**
- **12 VDC/PoE+, 18 W**

Hikvision DS-2DE4A225IW-DE Network IR PTZ Cameras produce images with a resolution of up to 1920 x 1080 pixels.

The embedded 1/2.8" progressive scan CMOS chip supports digital WDR, and the 25x optical zoom allows for greater detail to be collected over more expansive areas.

The Network IR PTZ Camera also features a wide range of smart functions, including intrusion detection, line crossing detection, face detection, and audio exception, which allow for key events and objects to be recorded for further forensic needs.

Smart tracking is included in this model and enables the camera to detect moving objects by following them within the camera's area of coverage.







Available models:
DS-2DE4A225IW-DE



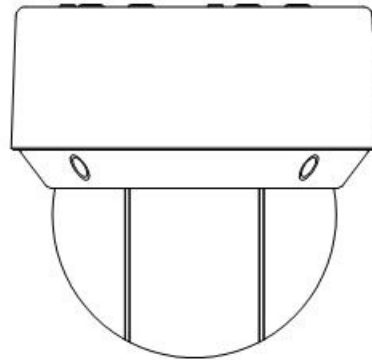
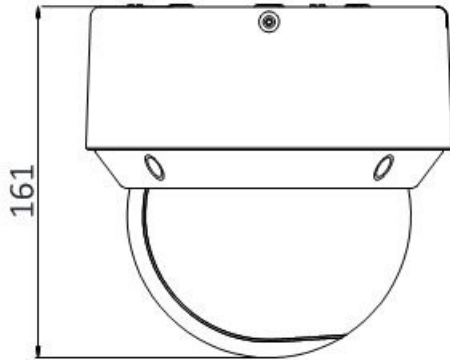
Specifications

DS-2DE4A225IW-DE	
Camera Module	
Image Sensor	1/2.8" progressive scan CMOS
Minimum Illumination	Color: 0.005 lux @ (f/1.6, AGC on); B/W: 0.001 lux @ (f/1.6, AGC on); 0 lux with IR
White Balance	Auto/manual/ATW (Auto-Tracking White Balance)/indoor/outdoor/fluorescent lamp/sodium lamp
AGC	Auto/manual
Shutter Speed	1/1 s to 1/30,000 s w/ slow shutter mode (2x, 3x, 4x, 6x, 8x)
Day/Night	IR cut filter
Digital Zoom	16x
Privacy Mask	24 programmable privacy masks (only 8 masks are visible at one time)
Focus Mode	Auto/semi-automatic/manual
WDR	120 dB WDR
Lens	
Focal Length	4.8 mm to 120 mm, 25x optical
Zoom Speed	Approximately 3.2 s (optical lens, wide to tele)
Angle of View	Horizontal field of view: 57.6° to 2.5° (wide to tele); vertical field of view: 34.4° to 1.4° (wide to tele); diagonal field of view: 64.5° to 2.9° (wide to tele)
Minimum Working Distance	10 mm to 1,500 mm (wide to tele)
Aperture Range	f/1.6 to f/22
IR	
IR Distance	165 ft (50 m)
Smart IR	Supported
PTZ	
Movement Range (Pan)	360° endless
Pan Speed	Configurable, from 0.1°/s to 300°/s, preset speed: 350°/s
Movement Range (Tilt)	From -5° to 90° (auto-flip)
Tilt Speed	Configurable, from 0.1°/s to 160°/s, preset speed: 200°/s
Proportional Zoom	Supported
Presets	300
Patrol Scan	8 patrols, up to 32 presets for each patrol
Pattern Scan	4 pattern scans, record time over 10 minutes for each scan
Power-Off Memory	Supported
Park Action	Preset/pattern scan/patrol scan/auto scan/tilt scan/random scan/frame scan/panorama scan
PTZ Status Display	Supported
Preset Freezing	Supported
Scheduled Task	Preset/pattern scan/patrol scan/auto scan/tilt scan/random scan/frame scan/panorama scan/dome reboot/dome adjust/aux output
Compression Standard	
Video Compression	Main stream: H.265+ /H.265/H.264+ /H.264; sub-stream: H.265/H.264/MJPEG; third stream: H.265/H.264/MJPEG
H.264 Type	Baseline profile/main profile/high profile
H.264+	Supported
H.265 Type	Main profile
H.265+	Supported
Video Bitrate	32 kbps to 16,384 kbps
Audio Compression	G.711alaw/G.711ulaw/G.722.1/G.726/MP2L2/PCM
Audio Bitrate	64 kbps (G.711)/16 kbps (G.722.1)/16 kbps (G.726)/32 to 160 kbps (MP2L2)
SVC	Supported
Smart Features	
Basic Event Detection	Motion detection, video tampering detection, alarm input, alarm output, exception detection
Smart Detection	Audio exception detection, face detection, intrusion detection, line crossing detection, region entrance detection, region exiting detection, unattended baggage detection, object removal detection
Smart Tracking	Manual tracking, auto tracking, event tracking
ROI Encoding	Main stream, sub-stream, and third stream respectively support four fixed areas
Smart Recording	ANR (Automatic Network Replenishment), Dual-VCA
Image	
Maximum Resolution	1920 × 1080
Main Stream	60 fps (1920 × 1080, 1280 × 960, 1280 × 720)
Sub-Stream	30 fps (704 × 480, 640 × 480, 352 × 240)
Third Stream	30 fps (1920 × 1080, 1280 × 960, 1280 × 720, 704 × 480, 640 × 480, 352 × 240)
Image Enhancement	HLC/BLC/3D DNR/Defog/EIS/Regional Exposure/Regional Focus
Network	
Network Storage	Built-in memory card slot, supports microSD/SDHC/SDXC, up to 256 GB; NAS (NFS, SMB/CIFS), ANR
Alarm Linkage	Alarm actions such as preset, patrol scan, pattern scan, memory card video record, trigger recording, notify surveillance center, upload to FTP/memory card/NAS, send e-mail, etc.
Protocols	IPv4/IPv6, HTTP, HTTPS, 802.1x, QoS, FTP, SMTP, UPnP, SNMP, DNS, DDNS, NTP, RTSP, RTCP, RTP, TCP / IP, DHCP, PPPoE, Bonjour
API	Open-ended, supports ONVIF, ISAPI, and CGI, supports HIKVISION SDK and third-party management platforms
Simultaneous Live Views	Up to 20
User/Host	Up to 32 users. Three levels: administrator, operator, and user
Security Measures	User authentication (ID and PW), host authentication (MAC address); HTTPS encryption; IEEE 802.1x port-based network access control; IP address filtering
Client	iVMS-4200, iVMS-4500, Hik-Connect
Web Browser	IE 8 to 11, Chrome 31.0 to 44, Firefox 30.0 to 51
Interface	
Audio Interface	1-ch audio input and 1-ch audio output
Alarm Interface	2-ch alarm input and 2-ch alarm output
Network Interface	1 RJ-45 10 M/100 M Ethernet Interface; PoE+ (802.3 at, class 4)
General	
Power	12 VDC and PoE+ (802.3 at, class 4), maximum: 18 W (IR maximum: 5 W)
Working Temperature	-22° to 149° F (-30° to 65° C); humidity: ≤90% (non-condensing)
Protection Level	IP66 standard, TVS 4,000 V lightning protection, surge protection, and voltage transient protection
Material	ADC12, PC, PC + ABS, SUS304, POM
Dimensions	Ø6.65" × 6.34" (Ø169 mm × 161 mm)
Weight	Approximately 5.40 lb (2.45 kg)

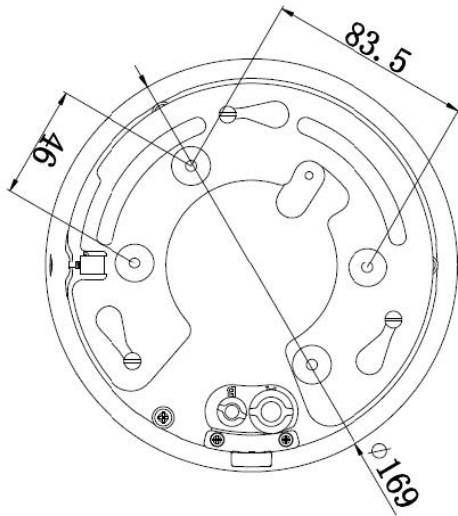
Accessories¹

		Requires WML		Requires PC-DE4A			
							
RCM-DE4A Recessed Ceiling Mount	CB-DE4A Conduit Base	PM Pole Mount Adapter	CM Corner Mount Adapter	WML Long Wall Mount	CPM Ceiling Pendant Mount	CPME CPM Extension Pipe	PC-DE4A Pendant Cap

Dimensions



Unit: mm



Box Contents (Subject To Change without Notice)

- Drill Template
- Mounting Plate (Stainless Steel)
- PoE Injector
- Power Cord
- Quick Start Guide
- Screws
- Steel Security Cord
- Wrench

¹ Additional accessories not shown may fit without, or in combination with, these accessories. See your sales representative for information about your needs.