

DESCRIPTION

The YS-151S is a swivel bracket for mounting small horn speakers (not usable for car mounting). It permits the adjustment of the speaker installation angle for up to 360° horizontal and 180° vertical. The YS-151S features the strong, weather-resistant construction made of zinc.

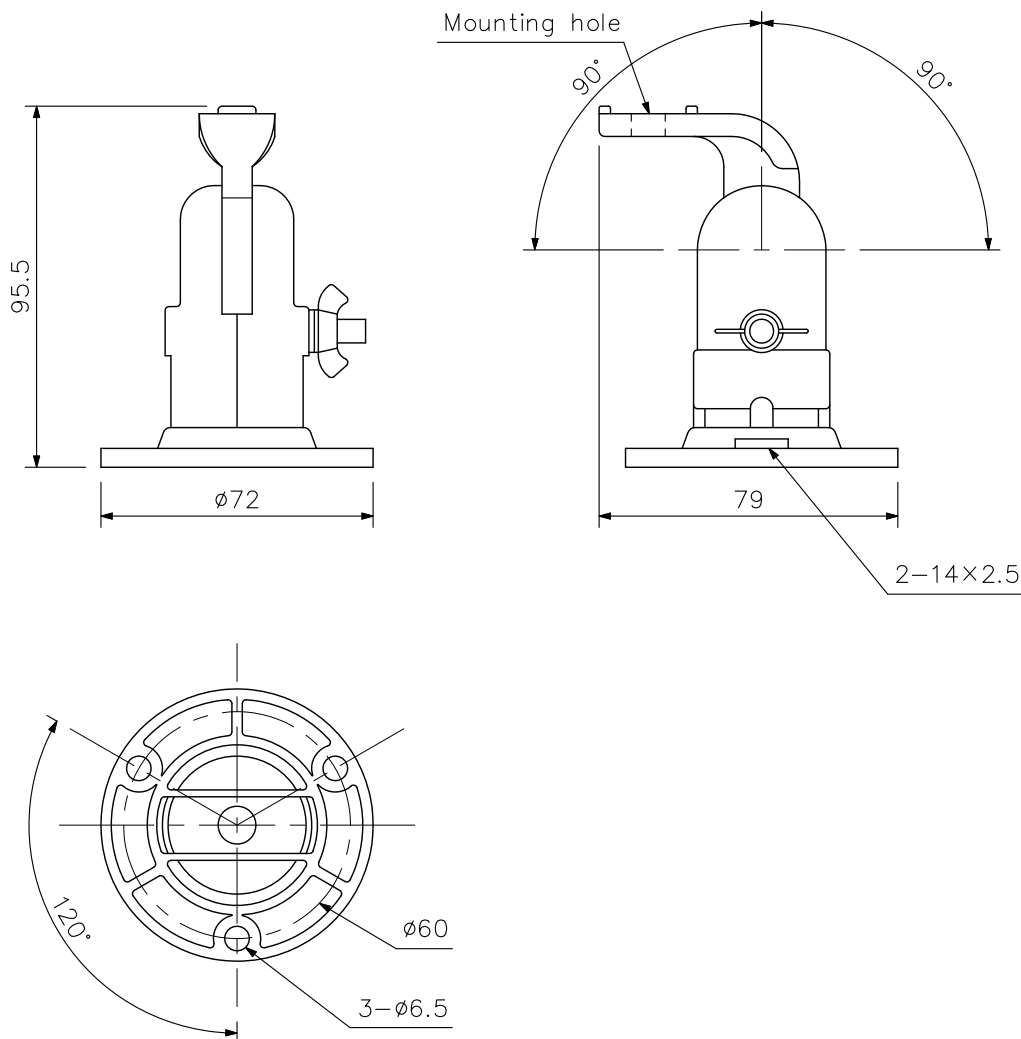
SPECIFICATIONS

Finish	Bracket : Zinc, black, paint Hexagon headed bolt, butterfly nut, coiled spring, and washer: Stainless steel
Weight	430 g
Applicable speakers	SC-610, SC-610M, SC-610T, SC-615, SC-615M, SC-615T, SC-630, SC-630M, SC-630T, SC-630TU
Mounting method	Mounting using 1. M6 bolt (3 pcs) 2. G16 cable pipe 3. Band

Note

- (1) Cable pipe (G16) can be directly connected if the base is removed by loosening the butterfly nut.
- (2) Bands should only be used for temporary mounting. Avoid using the bands in a vibratory place or in a place that exposes the unit to harsh weather conditions.

APPEARANCE



UNIT: mm SCALE: 1/2