

VP-624D VP-1124D VP-2124D 24 VOLT DC POWER SUPPLY

SPECIFICATIONS

Input: 100-240VAC, 50/60Hz
IEC-320-C14 input receptacle
Input Current (@ 115V, 60Hz, Rated Output Load):
VP-624D: 0.23A
AC Apparent Power 26.45VA
VP-1124D: 0.41A
AC Apparent Power 47.2VA
VP-2124D: 0.78A
AC Apparent Power 89.7VA

*Level VI efficiency

Output: **VP-624D:** 24VDC, 600mA
Regulated Filtered
VP-1124D: 24VDC, 1A
Regulated Filtered
VP-2124D: 24VDC, 2A Regulated
5.5mm x 2.5mm connector center positive (mating wire assembly included)

Dimensions:

VP-624D: 1.42" H x 1.50" W x 3.58" L
(36mm x 38mm x 91mm)
VP-1124D: 1.22" H X 1.65" W X 4.11" L
(31mm x 42mm x 104.4mm)
VP-2124D: 1.38" H x 1.93" W x 4.45" L
(35mm x 49mm x 113mm)

Weight: **VP-624D:** 0.36 lbs. (0.165 kg)
VP-1124D: 0.40 lbs. (0.2 kg)
VP-2124D: 0.60 lbs. (0.3 kg)

Mounting: Wall or shelf, mount near an electrical outlet (wall mount hardware included)

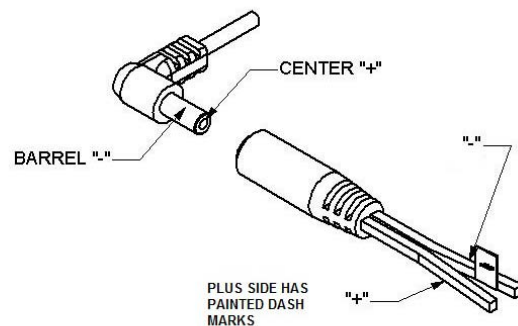
Features: Output voltage LED indicator

Power Cord: 6' NEMA 5-15P (US)
6' BS1363 (UK)
6' CEE7/7 (EC)

FOR INDOOR USE ONLY



OUTPUT CONNECTION



REGULATORY INFORMATION

- UL, cUL, and CE Approvals
- Meets VDE and FCC Class B Regulations

TECHNICAL ASSISTANCE

When trouble is reported, verify that AC power is being supplied to the unit. To test the power supply, remove all output connections, and measure the output voltage with a meter. If no voltage is measured, replace the unit.

Assistance in troubleshooting is available from the factory. When calling, you should have a VOM and a test set available and be calling from the job site. Call (540) 563-2000 and ask for Technical Support, or visit our website at <http://www.valcom.com>.

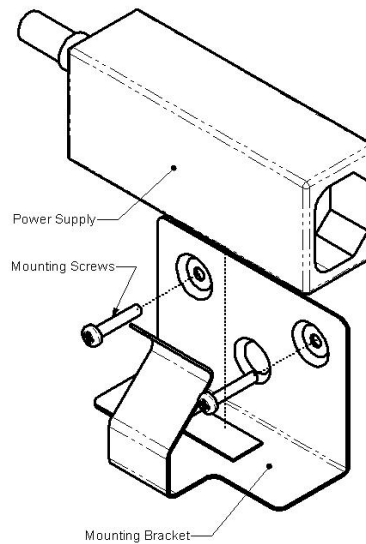
Valcom equipment is not field repairable. Valcom, Inc. maintains service facilities in

Roanoke, VA. Should repairs be necessary, attach a tag to the unit clearly stating your company name, address, phone number, contact person and the nature of the problem. Send the unit to:

Valcom, Inc.
Repair and Return Dept.
5614 Hollins Road
Roanoke, VA 24019-5056

WARRANTY

Warranty information may be found on our website at www.valcom.com/warranty.



Wall Mount Bracket