

V-CA2924 24 STATION CABLE ADAPTER

INTRODUCTION

The V-CA2924 is an adapter engineered to make the cabling transition from an existing Valcom V-2924A to a V-ACS45 quick and easy. The V-CA2924 has two connections for the Speaker and Call Switch wiring blocks used with a V-2924A and two connections for the Speaker/Call Switch outputs of the V-ACS45. The V-ACS45 is then able to use the existing speakers and call switches from a V-2924A installation without requiring extensive field wiring rework.

SPECIFICATIONS

Features

- Two 12-zone V-ACS45 input connections for 24 total zones
- One 24-zone V-2924A speaker output connection
- One 24-zone V-2924A call switch output connection
- Four level volume control for each zone

Power Requirements

No power required

Dimensions/Weight

- 13" L x 9.50" H x 3.38" D
(33.02cm L x 24.13cm H x 8.58cm D)
- Weight: 4.40 lbs (1.99 kg)

Environment

Temperature: 0 to +40° C

Humidity: 0 to 85% non-precipitating



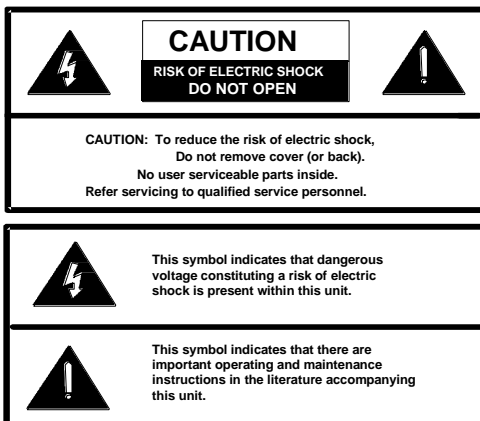
These products are intended for use with a UL Listed power source marked "Class 2" or "LPS" rated 24VDC, or 48VDC (PoE). PoE and all interconnected ITE are intended for intra-building.

Precautionary Designations

- **WARNING-To Reduce The Risk Of Fire Or Electric Shock. Do Not Expose This Apparatus To Rain Or Moisture.**
- **AVERTISSEMENT - Afin de réduire les risques d'incendie ou de décharge électrique, évitez d'exposer le système à la pluie ou à l'humidité.**
- Apparatus shall not be exposed to dripping or splashing and no objects filled with liquids, such as vases, shall be placed on the apparatus.
- L'appareil ne doit pas être exposé à des égouttements et éclaboussures et aucun Objet Rempli de liquide, comme vase, ne doit être placé sur l'appareil.

FCC Information

This equipment has been tested and found to comply with the limits for a Class A digital device, pursuant to Part 15 of the FCC Rules. These limits are designed to provide reasonable protection against harmful interference when the equipment is operated in a commercial environment. This equipment generates, uses and can radiate radio frequency energy and if not installed and used in accordance with the instruction manual, may cause harmful interference to radio communications. Operation of this equipment in a residential area may cause harmful interference in which case the user will be required to correct the interference at one's own expense.



IMPORTANT SAFETY INFORMATION

CONSIGNES DE SÉCURITÉ IMPORTANTES

1. Read these instructions.
Lisez ces instructions.
2. Keep these instructions.
Conservez ces instructions.
3. Heed all warnings.
Respectez tous les avertissements.
4. Follow all instructions.
Suivez toutes les instructions.
5. Do not use this apparatus near water.
Ne pas utiliser cet appareil près de l'eau.
6. Clean only with dry cloth.
Nettoyer avec un chiffon sec.
7. Do not block any ventilation openings. Install in accordance with the manufacturer's instructions.
Ne pas bloquer les ouvertures de ventilation. Installer conformément aux instructions du fabricant.
8. Do not install near any heat sources such as radiators, heat registers, stoves or other apparatus (including amplifiers) that produce heat.
Ne pas installer à proximité de sources de chaleur telles que radiateurs, registres de chaleur, poêles ou autres appareils (y compris les amplificateurs) produisant de la chaleur.
9. Do not defeat the safety purpose of the polarized or grounding-type plug. A polarized plug has two blades with one wider than the other. A grounding type plug has two blades and a third grounding prong. The wide blade and the third prong are provided for your safety. If the provided plug does not fit into your outlet consult an electrician for replacement of the obsolete outlet.
Ne pas contourner le dispositif de sécurité de la fiche polarisée ou de mise à la terre. Une fiche polarisée possède deux lames dont une plus large que l'autre. Une fiche de terre a deux lames et une troisième broche de mise à la terre. La lame large et la troisième broche sont fournies pour votre sécurité. Si la fiche fournie ne rentre pas dans votre prise, veuillez consulter un électricien pour le remplacement de la prise obsolète.
10. Protect the power cord from being walked on or pinched particularly at plugs, convenience receptacles and the point where they exit from the apparatus.
11. Only use attachments/accessories specified by the manufacturer.
N'utilisez que des fixations / accessoires spécifiés par le fabricant.
12. Use only with the cart, stand, tripod, bracket or table specified by the manufacturer or sold with the apparatus. When a cart is used, use caution when moving the cart/apparatus combination to avoid injury from tip-over.
Utilisez uniquement avec le chariot, stand, trépied, support ou table spécifié par le fabricant ou vendu avec l'appareil. Quand un chariot est utilisé, Soyez prudent lorsque vous déplacez l'ensemble chariot / appareil pour éviter des blessures dues au renversement.
13. Unplug this apparatus during lightning storms or when unused for a long period of time.
Débranchez cet appareil pendant les orages ou lorsqu'il n'est pas utilisé pendant une longue période de temps.
14. Refer all servicing to qualified service personnel. Servicing is required when the apparatus has been damaged in any way. Such as when the power supply cord or plug is damaged, liquid has been spilled, objects have fallen into the apparatus or the apparatus has been exposed to rain or moisture and does not operate normally or has been dropped.
Confiez toute réparation à un personnel qualifié. Une réparation est nécessaire lorsque l'appareil a été endommagé de quelque façon. Par exemple lorsque le cordon d'alimentation ou la fiche est endommagé, du liquide a été renversé, si des objets sont tombés dans l'appareil ou le appareil a été exposé à la pluie ou à l'humidité et ne fonctionne pas normalement ou s'il est tombé.



At the bottom of the V-CA2924 are two RJ21 Male plug connections for the 25-pair cabling to existing V-2924 Page Controller field wiring. The connector labeled "Call Switch 1-24" will accept the RJ21 connector from the V-2924A "P6" 66-block. The connector labeled "Zones 1-24" will accept the RJ21 connector from the V-2924A "P3" 66-block. See Figure 3.

Volume Settings

The V-CA2924 includes volume adjustment DIP switches for each of the 24 paging zones. Each switch has 4 contacts to alter the volume between Quiet, Normal, Loud and Very Loud. The diagram shown in Figure 1 indicates which combination of the 4 switches will provide the desired volume adjustment.

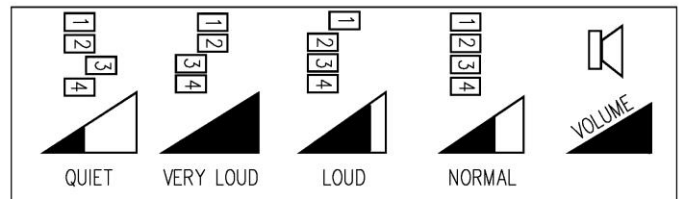


Figure 1. Volume Settings

INSTALLATION

Mounting

The V-CA2924 is designed for wall mounting only. Mark the locations for the mounting screws on a plywood backboard (minimum 1/2 inch thick). Insert screws and tighten to within 1/8 inch of the surface. Hang the unit on the screws and tighten screws firmly. See Figure 2.

Signal Connections

Signal connections for speakers and call switches are made using the RJ21/Telco 50-pin Male plug connections. Two connections at the top of the V-CA2924 receive the 25-pair cabling from the V-ACS45 45 Ohm Talkback Station card. The connections are labeled "Zones 1-12" and "Zones 13-24". Zones 1-12 connect to V-ACS45 connector "P1" and Zones 13-24 connect to V-ACS45 connector "P2".

TECHNICAL ASSISTANCE

Assistance is available from the factory when problems are encountered. Call (540) 563-2000 and press 1 for Technical Support or visit our website at <http://www.valcom.com>.

Valcom, Inc. equipment is not field repairable. Valcom maintains service facilities in Roanoke, VA. Should repairs be necessary, attach a tag to the unit clearly stating company name, address, phone number, contact person, and the nature of the problem. Send the unit to:

Valcom, Inc.
Repair and Return Dept.
5614 Hollins Road
Roanoke, VA 24019-5056

WARRANTY

Warranty information may be found on our website at www.valcom.com/warranty.

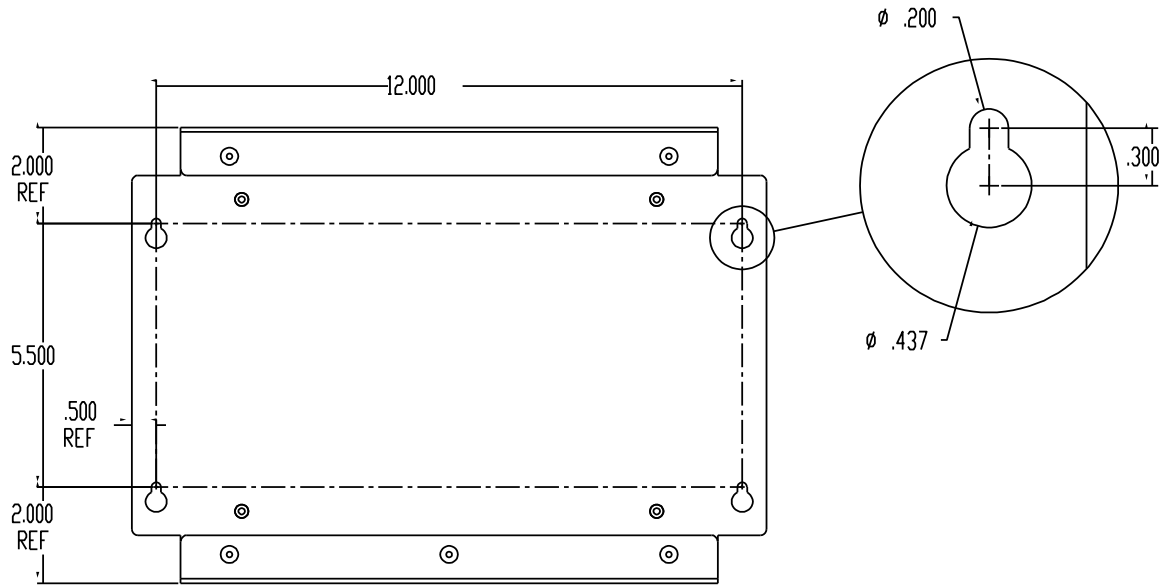


Figure 2. Mounting

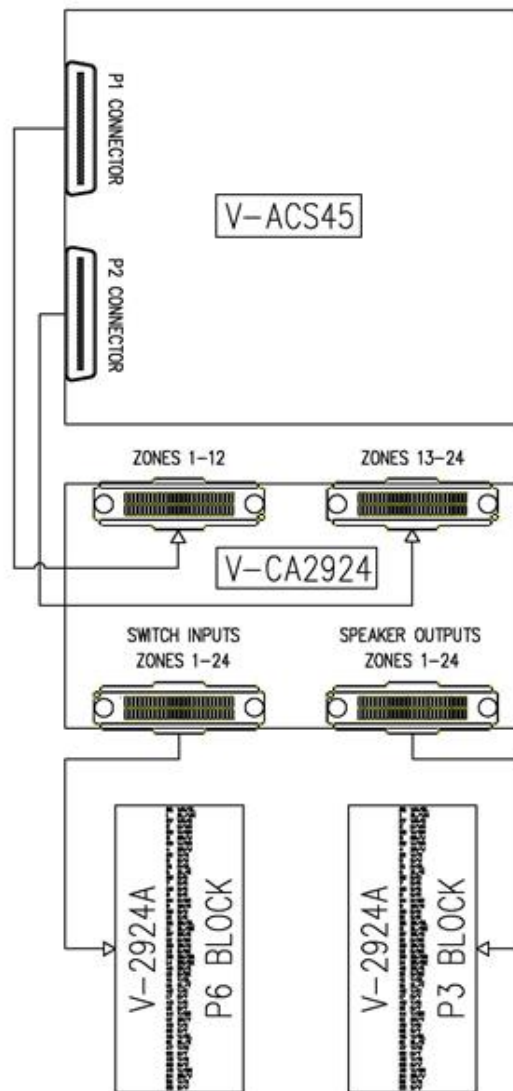


Figure 3. Signal Connections