

POLYCARBONATE COVERS



STI-7700



STI-7730

PRODUCT OVERVIEW

These super tough covers offer an excellent way to help prevent theft and vandalism to larger keypads, access controls, volume and lighting controls, and similar devices. Molded of clear polycarbonate (extremely difficult to break), each protected unit can be clearly seen and quickly identified. Covers increase the life and reliability of units by protecting them from accidental or intentional damage. Each model has a strong piano style hinge, and they are available with an open back box or enclosed back box, with or without a lock.

BACKED BY A THREE YEAR GUARANTEE

As all STI protective covers, these Polycarbonate Covers are backed by a three year guarantee against breakage in normal use.

KEY FEATURES

General Information

- Protection against physical damage, grime and harsh environments inside and out.
- Three year guarantee against breakage of polycarbonate in normal use.

Construction

- Molded of thick, super tough polycarbonate material.

Installation

- Typical working properties of polycarbonate are -40° to 250°F (-40° to 121°C).
- Mount horizontally or vertically.
- Fast, easy installation.

Options

- Available with an open back box or enclosed back box.
- Available with or without a lock.



Polycarbonate Covers

Dimensions and Technical Information

MODELS AVAILABLE

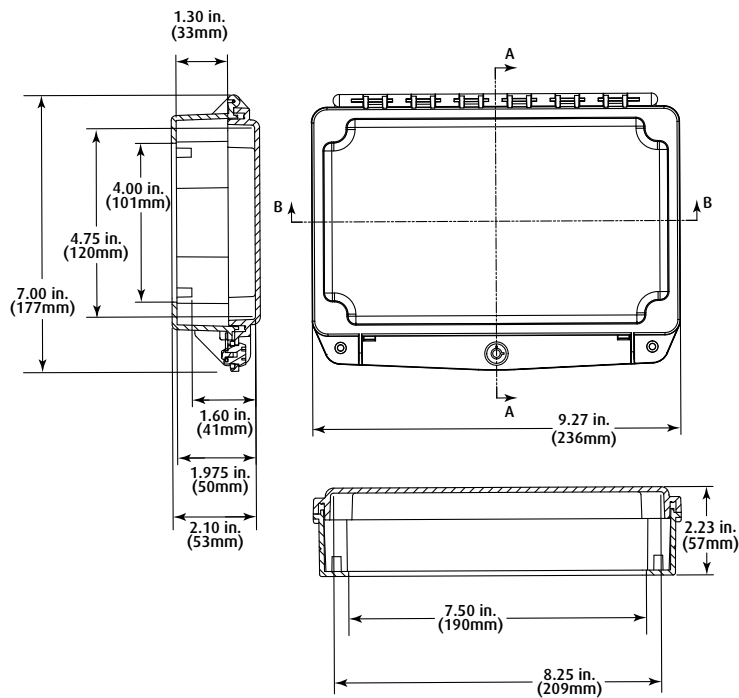
- STI-7700** Polycarbonate Cover with Open Back Box
- STI-7710** Polycarbonate Cover with Open Back Box and Lock
- STI-7720** Polycarbonate Cover with Enclosed Back Box
- STI-7730** Polycarbonate Cover with Enclosed Back Box, Gasket and Lock
- STI-7730-OW** Polycarbonate Cover with Enclosed Back Box and Lock, White.

WARRANTY

Three year guarantee against breakage of polycarbonate in normal use.

Accessories

- KIT-H18090** Two replacement keys for STI-7710 and STI-7730.



**Safety Technology
International**