

### DESCRIPTION

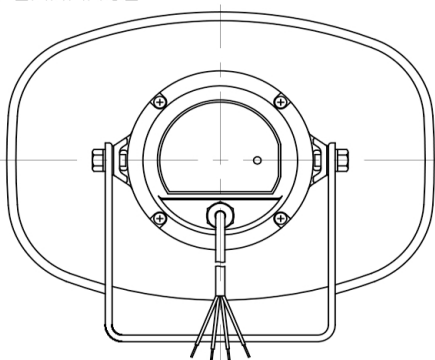
The SC-630TU is a compact, highly intelligible speaker suited to public address announcement applications. Its external speaker component finished with powder coating, and stainless steel bracket and screws ensure the unit's weatherproof capability. The SC-630TU is certified to UL 1480 UUMW and ULC-S541 standards, and suitable for outdoor use.

### SPECIFICATIONS

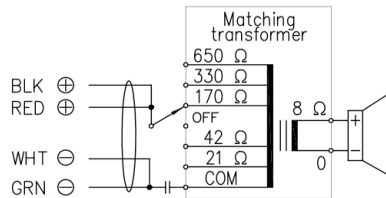
Rated Input	30 W
Line Voltage	70 V line or 25 V line
Rated Impedance	70 V line: 170 Ω (30 W), 330 Ω (15 W), 650 Ω (7.5 W) 25 V line: 21 Ω (30 W), 42 Ω (15 W), 170 Ω (3.9 W), 330 Ω (2.1 W), 650 Ω (1.1 W)
Dispersion (1 to 4k Hz avg.)	50° Horizontal x 45° Vertical
Sound Pressure Level	113 dB (1 W, 1 m at 500 Hz to 2.5 kHz peak level)
Frequency Response	250 Hz – 10 kHz
Dust/Water Protection	IP65
Polarity	Hot: Black and Red cables, Com: White and Green cables
UL Code	UL 1480 UUMW, ULC-S541
Operating Temperature	-40 °C to +66 °C (-40 °F to +151 °F) (must be free from dew condensation)
Finish	Horn flare: Aluminum, white (RAL 9010 equivalent), powder coating Reflector horn: ABS resin, white (RAL 9010 equivalent) Rear cover: ABS resin, gray (RAL 7031 equivalent) Bracket, screws and bolts: Stainless steel
Speaker Cable	4-core FPL listed cable 0.6 m (1.97 ft) (4.8 mm (0.19") in diameter, 600 mm (1.97 ft) in length)
Dimensions	285 (W) x 227 (H) x 277 (D) mm (11.22" x 8.94" x 10.91")
Weight	2 kg (4.41 lb)
Option	Swivel bracket: YS-151S (Can be used instead of the supplied bracket.)

Note: Avoid installing the speaker in locations which vibrate considerably, or under environments easy to be oil-contaminated.

### APPEARANCE



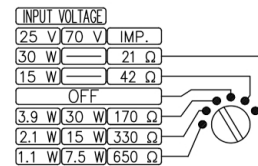
Rear View



(Transformer connection when the speaker is supplied from the factory)

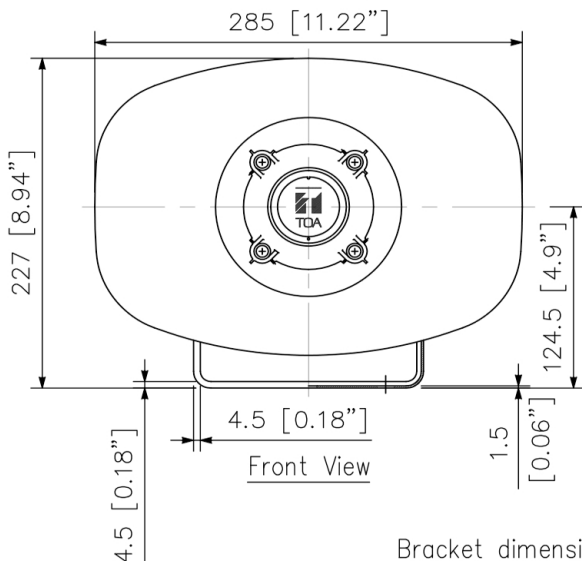
Wiring diagram

CAUTION  
NEVER SET THE SWITCH TO "OFF" POSITION FOR 70 V LINE OPERATION, AS DOING SO MAY RESULT IN DAMAGE TO THE SPEAKER.



Set the impedance selector to the desired impedance.

Impedance selection



285 [11.22"]

227 [8.94"]

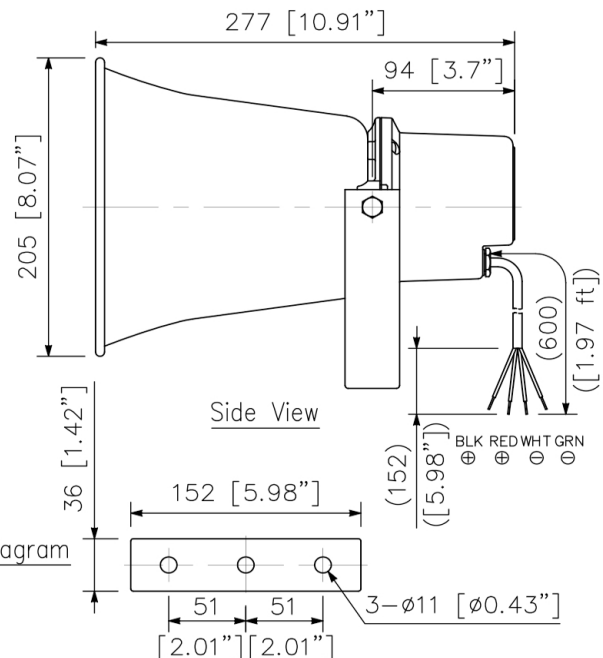
124.5 [4.9"]

4.5 [0.18"]

4.5 [0.18"]

4.5 [0.18"]

Bracket dimensional diagram



277 [10.91"]

205 [8.07"]

94 [3.7"]

Side View

600 [1.97 ft.]

152 [5.98"]

51 [2.01"]

51 [2.01"]

3-∅11 [∅0.43"]

UNIT: mm SCALE: 1/5

Note: Numerical values in parentheses are for reference only.