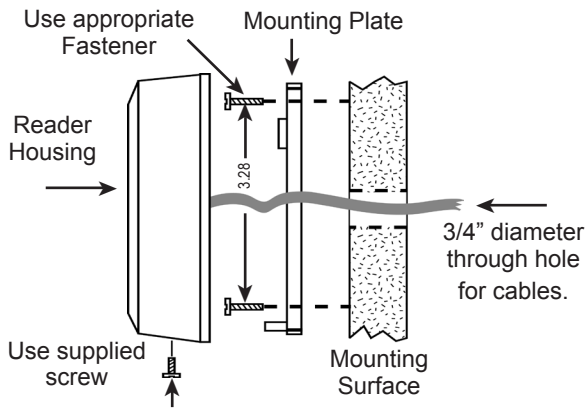


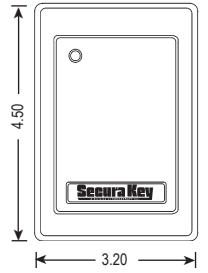
RKDT-SA-M / RKDT-SA-S Installation Instructions

SWITCHPLATE INSTALLATION DIAGRAM

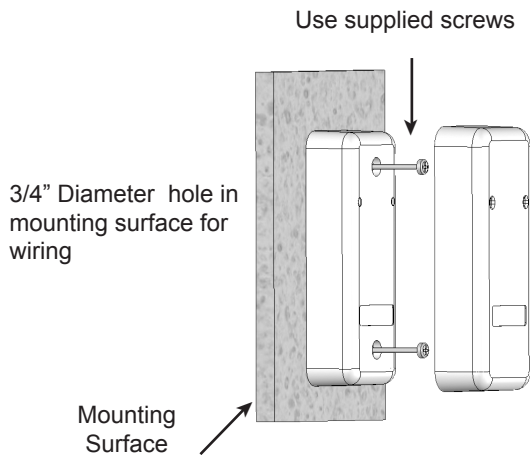


INSTALLATION STEPS FOR RKDT-SA-S:

1. If mounting the unit outdoors, especially on a rough surface like masonry, we recommend that you seal the reader with silicone caulking.
2. Drill holes as needed per installation diagram shown to the left or install a single gang j-box.
3. Run field wiring to reader location and feed into j-box or through cable hole.
4. Attach the mounting plate to the mounting surface or j-box with the appropriate fasteners.
5. Splice the connector pigtail to field wiring. Insert the connector into the back of the reader.
6. Attach the housing to the mounting plate by inserting the two tabs inside the top of the housing into the two slots at the top of the mounting plate.
7. Secure by installing supplied screw into the hole at the bottom of the reader.

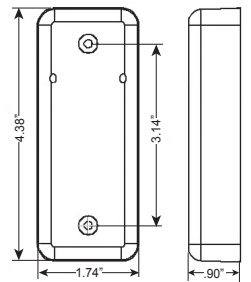


MULLION INSTALLATION DIAGRAM

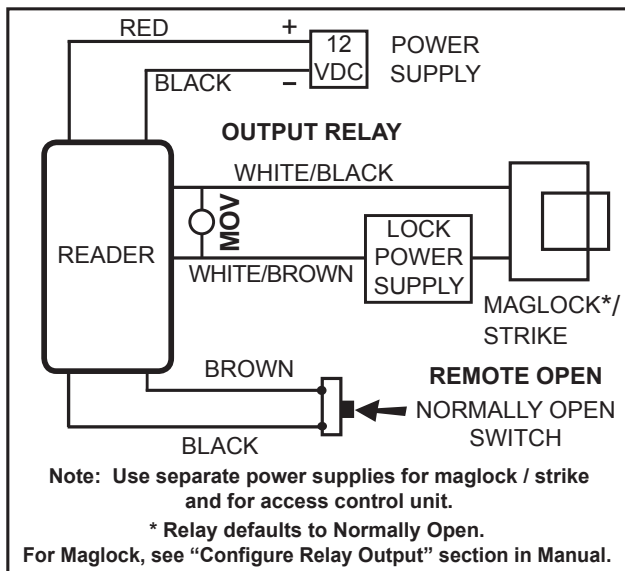


INSTALLATION STEPS FOR RKDT-SA-M

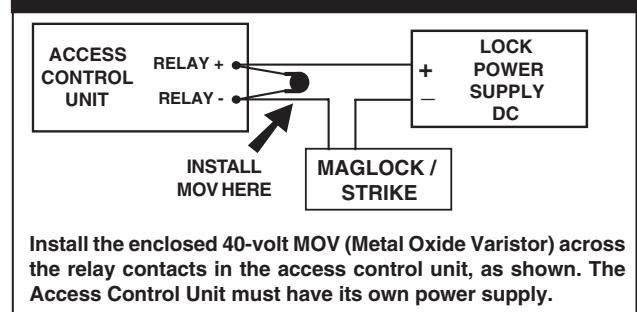
1. If mounting the unit outdoors, especially on a rough surface like masonry, we recommend that you seal the reader with silicone caulking.
2. Drill a hole for the field wiring. Remove decorative cover from reader. Using the reader as a template, mark the location of the two mounting holes. Drill two 1/8" pilot holes for the mounting screws.
3. Run field wiring to reader location and feed through cable hole.
4. Splice the connector pigtail to field wiring. Insert the connector into the back of the reader.
5. Attach the reader to the surface using the two machine screws provided. These may be replaced with tamper proof screws (customer supplied).
6. Slip on the decorative cover (if used) until both tabs snap into place.



TYPICAL INSTALLATION



Installation of Metal Oxide Varistor



Secura Key
A Division of SOUNDCRAFT Inc.

RKDT WIRING CONNECTIONS		
WIRE COLOR	REMOTE OPEN STANDALONE	LED CONTROL WIEGAND
GREEN	DATA-0	DATA-0
WHITE	DATA-1	DATA-1
VIOLET	NOT USED	NOT USED
GRAY	NOT USED	NOT USED
ORANGE	NOT USED	GREEN LED INPUT (3, 1)
BROWN	REX LATCH + TIMER (2, 1)	RED LED INPUT (3, 1)
YELLOW	NOT USED	BEEPER INPUT (1)
BLUE	NOT USED	HOLD (1)
RED	5-14 VDC +	5-14 VDC +
BLACK	GROUND —	GROUND —
WHITE/BLACK	RELAY +	NOT USED
WHITE/BROWN	RELAY -	NOT USED
(1) Connect to GROUND to activate (2) Input Programmed for Remote Open (3) Input Programmed for LED/Beeper Control		

SPECIFICATIONS:

POWER REQUIREMENTS

5-14 VDC, 150 mA Max.

OUTPUTS

SPST Solid State Relay, 1A max. @60 VAC or DC
 Normally open or normally closed (field programmable) (See Operating Guide).

INPUTS

Default is Remote Open (requires contact closure).
 Also programmable as Red LED Control for online systems (see Operating Guide).
 Additional inputs for Green LED, Beeper and HOLD are available in Wiegand mode.

WIEGAND OUTPUT

Any Wiegand Format up to 40 bits
 Maximum Distance: 500 ft. - 5 or 8 conductor 20 gauge shielded cable

ENVIRONMENT

Access Control Unit, Key Tags and Cards
 Ambient Temperature -40° to +70°C (-40° to +158°F)
 Humidity 0 to 95% (non-condensing)

PARTS SUPPLIED:

Access Control Unit
 MOV
 Operating Guide
 Installation Instructions
 Log Sheet

RKDT-SA-S

Mounting Plate
 2, #6 Mounting Screws
 1, 4x40 Screw
 1, Security Screw
 1, Cable Assembly

RKDT-SA-M

2, #6 Mounting Screws
 Cable Assembly
 Decorative Cover

ACCESSORIES (NOT INCLUDED):

RK-HHP Hand-Held Programmer
 RK-PS: 9VDC Plug-in Power Supply. It is designed to power the RKDT-SA-M/SA-S. Requires 110 Volts AC power.
 SK-SR SecuRelay™ - Smart Relay Module DPDT.

INSTRUCTION TO THE USER
FCC ID: NNHDTR1

"This device complies with Part 15 of the FCC rules. Operation is subject to the following two conditions: (1) this device may not cause harmful interference, and (2) this device must accept any interference received, including interference that may cause undesired operation."

This equipment has been certified to comply with the limits for a class B computing device, pursuant to FCC Rules. In order to maintain compliance with FCC regulations, shielded cables must be used with this equipment. Operation with non-approved equipment or unshielded cables is likely to result in interference to radio and TV reception. The user is cautioned that changes and modifications made to the equipment without the approval of the manufacturer could void the user's authority to operate this equipment.



www.SecuraKeyStore.com
 (800) 878-7829
 sales@securakeystore.com