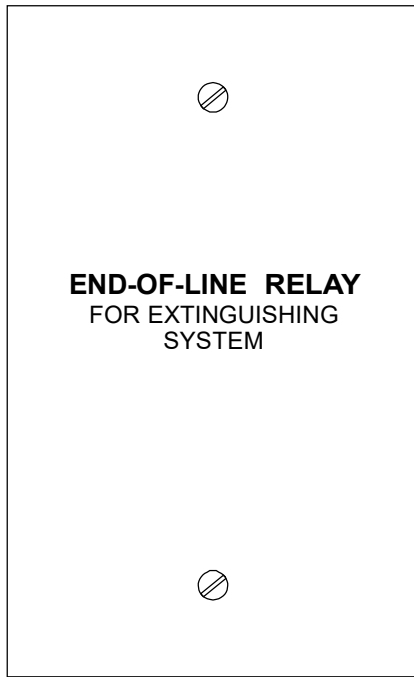


## Product description



The End-of-Line Relay facilitates the connection of a nonpolarized releasing solenoid to a supervised, polarized releasing circuit.

## Specifications

Operating voltage: 18.4 to 27.4 VDC

Operating current: 26 mA

Supervisory current: 0.2 mA

Solenoid current: 2 A max.

Construction: Metal faceplate

Maximum wire size: 12 AWG

### Mounting

North American 2.5 in. (64 mm) deep 1-gang box  
Standard 4 in. square box, 1.5 in. (38 mm) deep box with 1-gang cover

## Installation instructions

### WARNINGS

- Disconnect power before installing or removing components. Failure to do so may result in serious injury or loss of life.
- This device will not operate without electrical power. As fires frequently cause power interruption, we suggest you discuss further safeguards with your local fire protection specialist.

### To install the RELA-EOL:

1. Verify that all field wiring is free of opens, shorts, and ground faults.
2. Make the wiring connections shown in the wiring diagram.
3. Mount the relay and faceplate to the electrical box with the 6-32 screws provided.

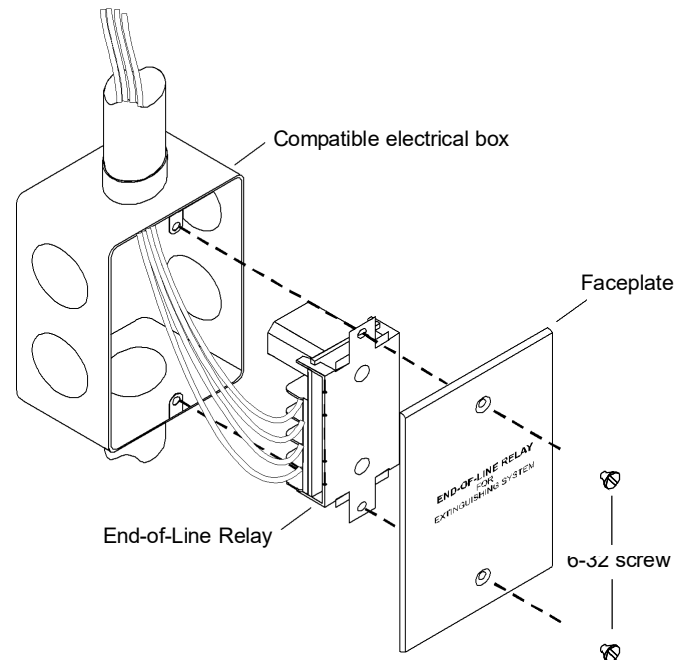


Figure 1: Installing the RELA-EOL

## Wiring diagram

---

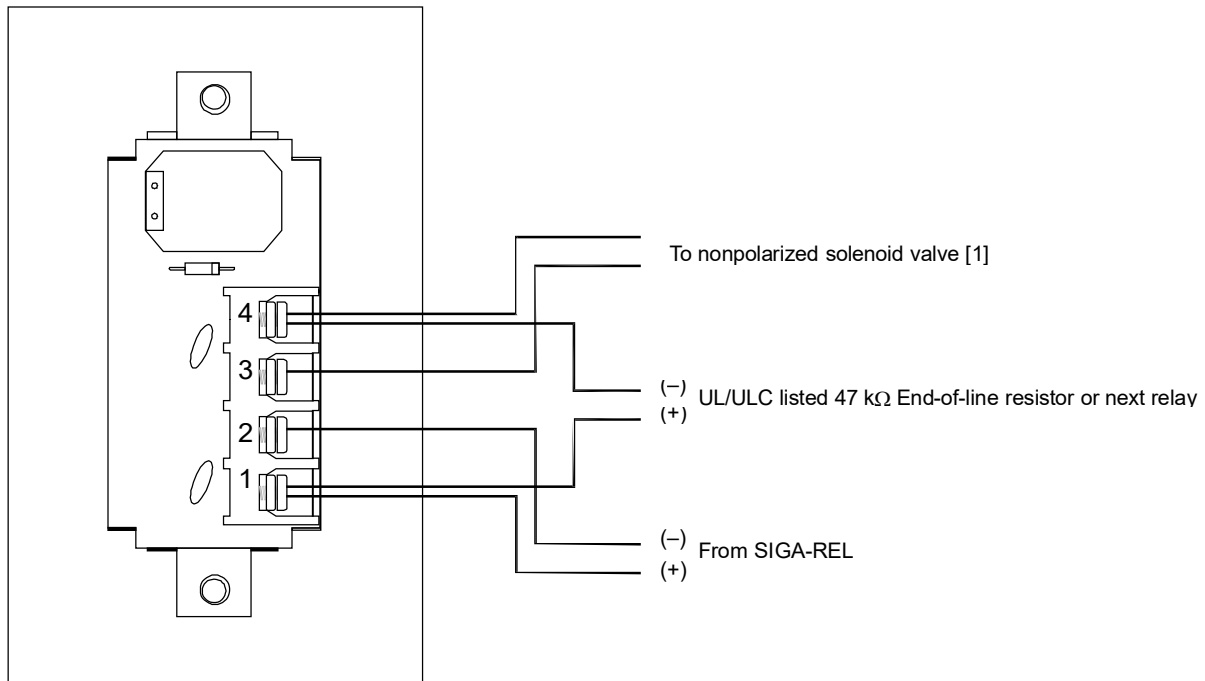


Figure 2: Rear view of the RELA-EOL showing wiring

### Notes

- [1] Must be in conduit and within 20 feet.
- Polarity shown is for release active.
- All circuits are supervised and Class B.