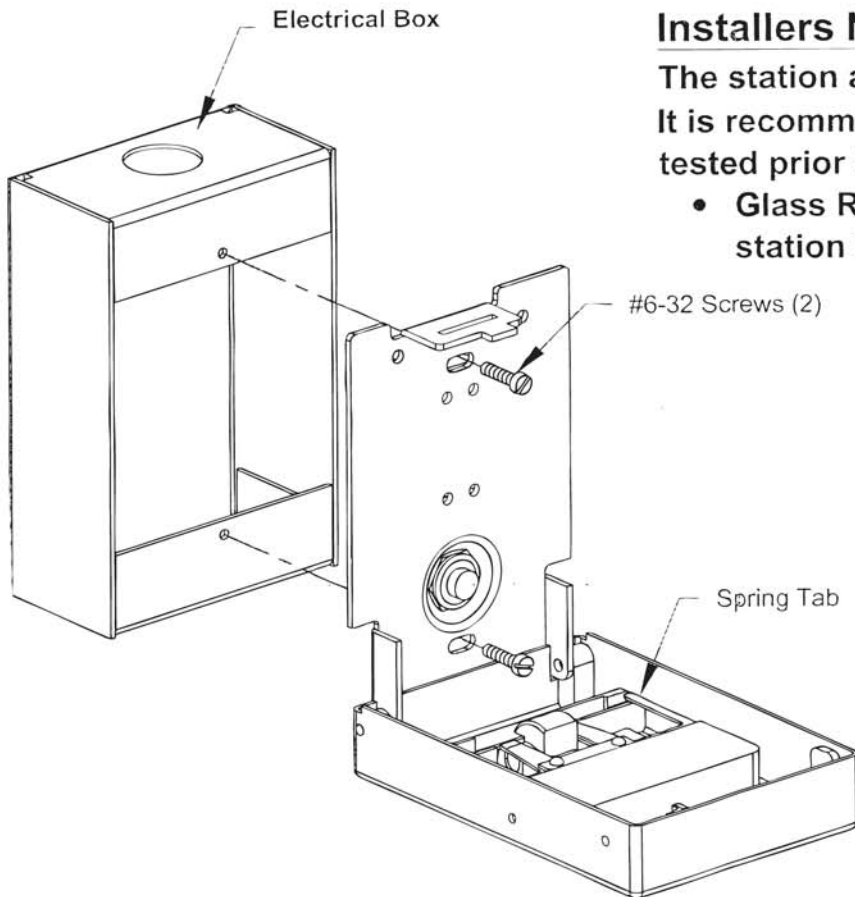
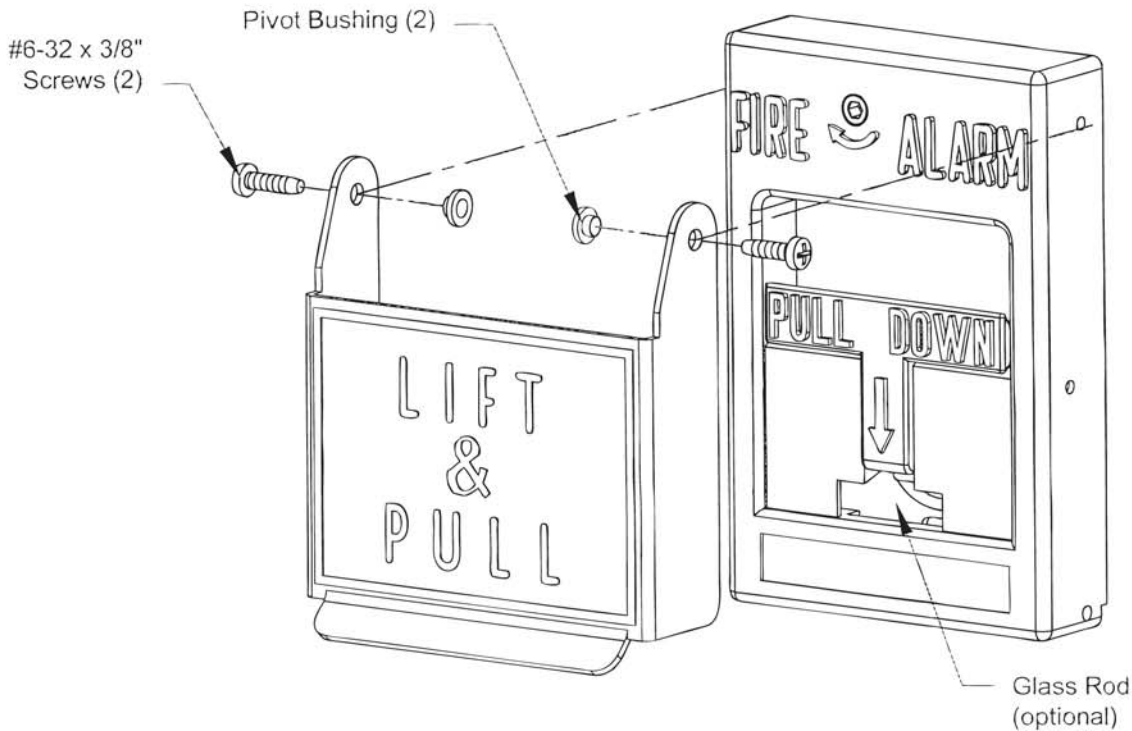


Installation and Service



Installers Note:

The station are supplied with glass rod removed. It is recommended that the station be activated and tested prior to installation of the glass rod.

- Glass Rods and Hardware are shipped with station box.

Replacement o Glass Rod:

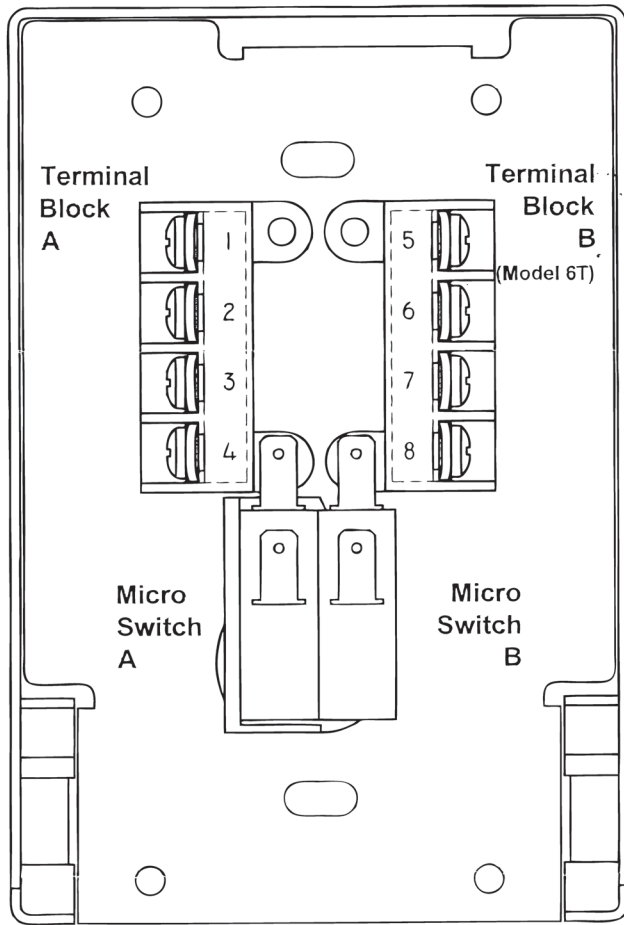
If broken, remove debris, then reset T-Handle to normal position. Onsert one end of new Glass Rod under Spring Tab, then with one finger, lift other end os Spring tab allowing Glass Rod to slip into place.

To Close Station:

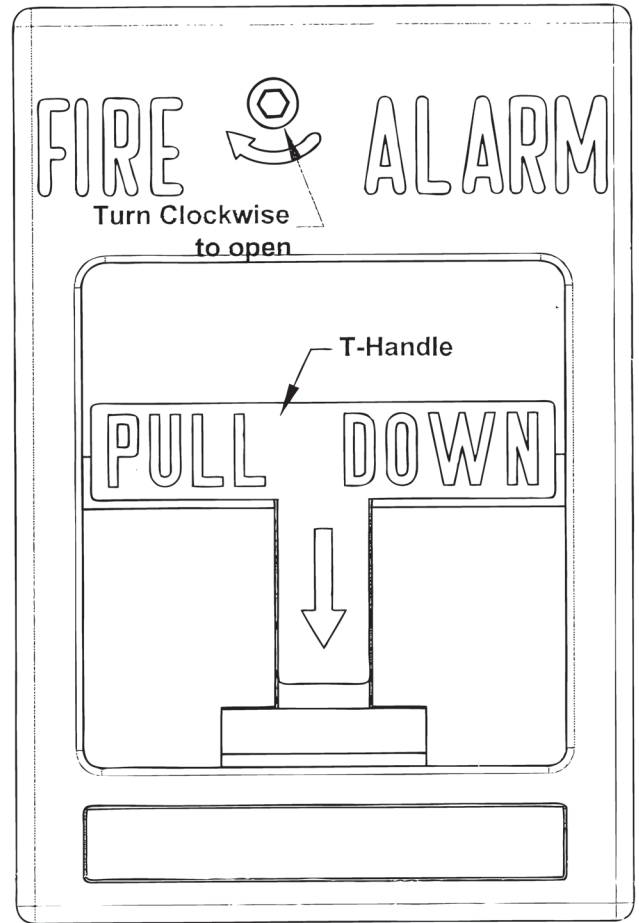
If hex Screw Model, simply push station closed.
If Key Lock Model, hold station closed then turn key counterclockwise.

Wiring Instructions on Reverse Side

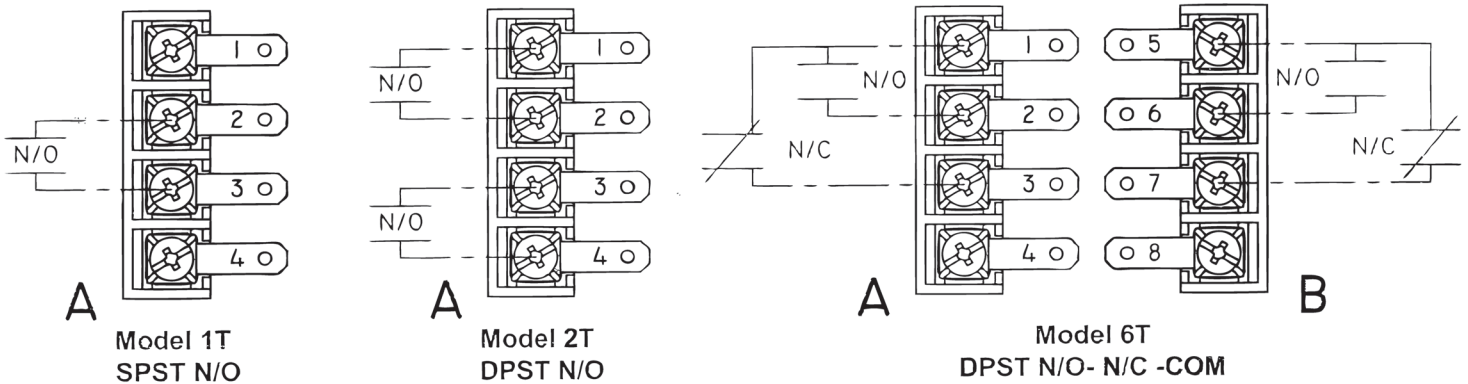
Rear View



Front View



Electrical Wiring



Model	Terminal Block	Terminal Connecting	Switch Function	Terminal Connection			Contact Rating
				LED	Switch	Ph. Jack	
1P	None	None	SPST	Leads	Leads	Leads	10 amp @ 125 vac
1T	A	2 - 3	SPST	1(+) - 4(-)	1 - 4	1 - 4	10 amp @ 125 vac
2T	A	1-2 & 3-4	DPST	5(+) - 6(-)	5 - 6	5 - 6	10 amp @ 125 vac
3T	A	1,2, & 3	SPDT	5(+) - 6(-)	5 - 6	5 - 6	10 amp @ 125 vac
6T	A & B	1,2,3,5,6,7	DPDT	4(+) - 8(-)	4 - 8	4 - 8	10 amp @ 125 vac

Phone Jack: 1/4 • Key Switch: 3Amp@125Vac • Led: T1-3/4@24Vdc

Note: all contact ratings shown apply to closed station.

Mounting Instructions on Reverse Side