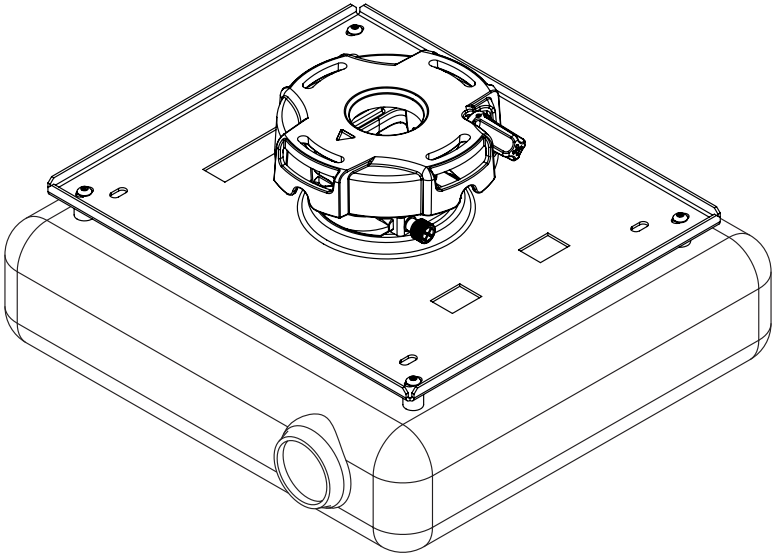
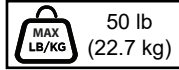


## PA600CM

Ceiling Mount for NP-PA653U, NP-PA803U, NP-PA853W, NP-PA903X, NP-P506QL, NP-PA653UL, NP-PA703UL, NP-P474WL, NP-P474UL, NP-P554WL, NP-P554UL, NP-PA803UL, NP-PE455WL, NP-PE455UL, NP-P525WL, NP-P525UL, NP-P605UL, NP-P547UL, and NP-P627UL Projectors



ENG Compatible model/series*	AEC*, EXT*
------------------------------	------------



## ⚠ WARNING

ENG - This product is designed to be installed on wood joist/beam or solid concrete ceilings. Hardware is included for wood joist/beam and solid concrete installation. Before installing make sure the supporting surface will support the combined load of the equipment and hardware. Screws must be tightly secured. Do not overtighten screws or damage can occur and product may fail. Never exceed the Maximum Load Capacity. Always use an assistant or mechanical lifting equipment to safely lift and position equipment. This product is intended for indoor use only. Use of this product outdoors could lead to product failure or personal injury. Be careful not to pinch fingers when operating the mount. For support please call customer care at 1-800-865-2112.

ENG Symbols



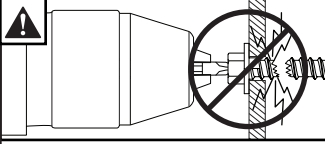
ENG WARNING



ENG Skip to step.



ENG Screws must get at least three full turns and fit snug.

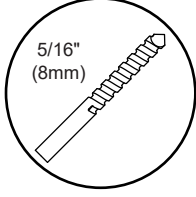
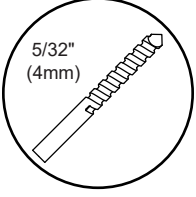
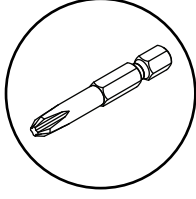
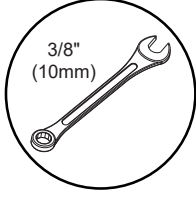
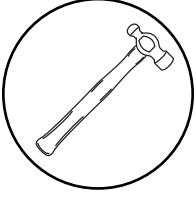
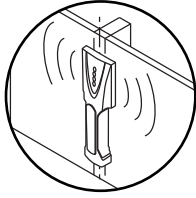
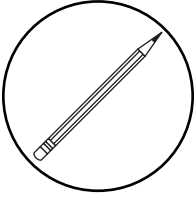


ENG Do not overtighten screws.



ENG Front of mount.

**ENG** Tools Needed for Assembly.



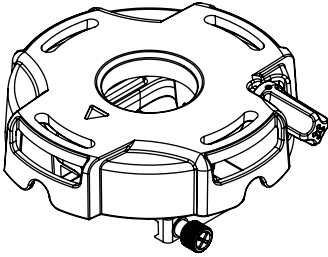
<b>ENG</b> To properly tighten screws: Tighten until screw head makes contact, then tighten another 1/2 turn. Do not overtighten screws.
<b>1</b> 
<b>2</b> 
<b>3</b> 
<b>4</b> 

**ENG** Parts (Before beginning, make sure you have all parts shown below).

<b>Parts List</b>		
Description	Qty	Part #
<b>A</b> projector mount assembly	1	055-KPRGU-W-5
<b>B</b> connection block	1	580-4065
<b>C</b> 4mm security allen wrench	1	560-9646
<b>D</b> concrete anchor	2	590-0320
<b>E</b> #14 x 2.5 phillips hex head wood screw	2	5S1-015-C04
<b>F</b> #10-32 x 3/8" serrated socket pin screw	2	520-2151
<b>G</b> #10-32 x 1/4" socket pin screw	1	520-2196
<b>H</b> flat washer	2	540-2078
<b>I</b> 2mm security allen wrench	1	560-1097
<b>J</b> adaptor plate 10.7" x 12.5"	1	055-2999
<b>K</b> M4 x 25mm serrated socket pin screw	4	510-2082
<b>L</b> spacer	4	590-2106
<b>M</b> adaptor plate 12" x 10"	1	10005286-SWHT

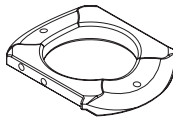
**A (1)**

projector mount assembly



**B (1)**

connection block



**C (1)**

4mm security allen wrench



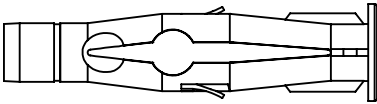
**I (1)**

2mm security allen wrench



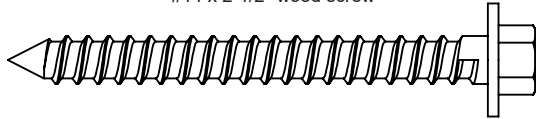
**D (2)**

8mm concrete anchor



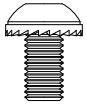
**E (2)**

#14 x 2-1/2" wood screw



**F (2)**

#10-32 x 3/8"



**G (1)**

#10-32 1/4"



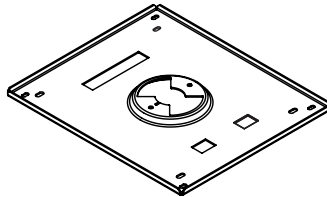
**H (2)**

washer



**J (1)**

adaptor plate



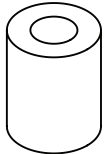
**K (4)**

M4 x 25mm



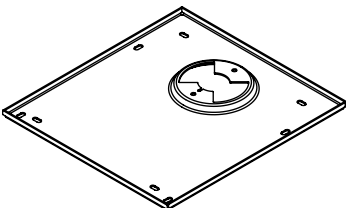
**L (4)**

spacer



**M (1)**

adaptor plate

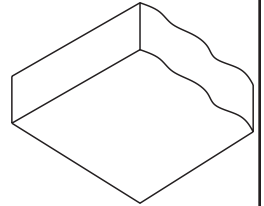
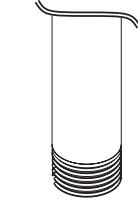
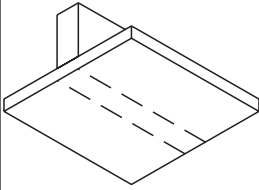


# 1

ENG Wood joist/beam

ENG Extension Column (not included)

ENG Concrete Ceiling



1a

1b-1

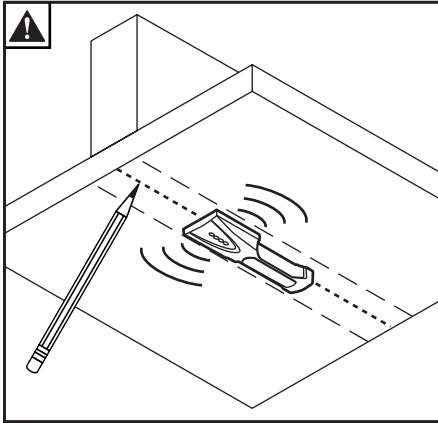
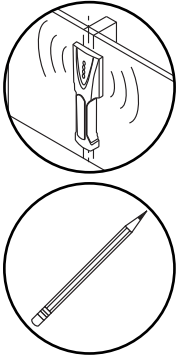
1c

## 1a

### ▲ WARNING

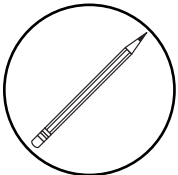
ENG - When installing Peerless ceiling mounts on a wood joist/beam covered with gypsum board (drywall), verify that the joists or beams are a minimum of 2" x 4" nominal size. Do not install over gypsum board thicker than 5/8".

### 1a-1

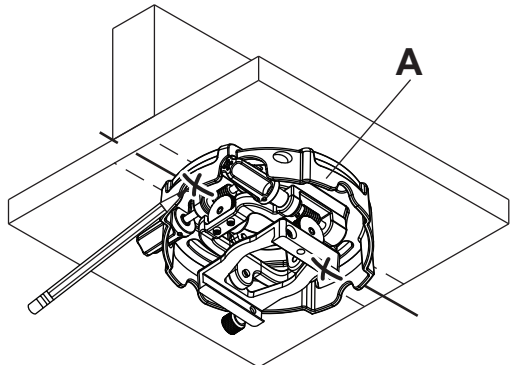


ENG Use stud finder to locate and mark stud center lines.

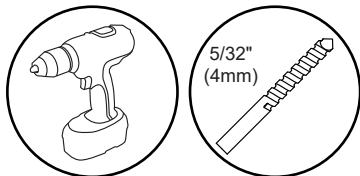
### 1a-2



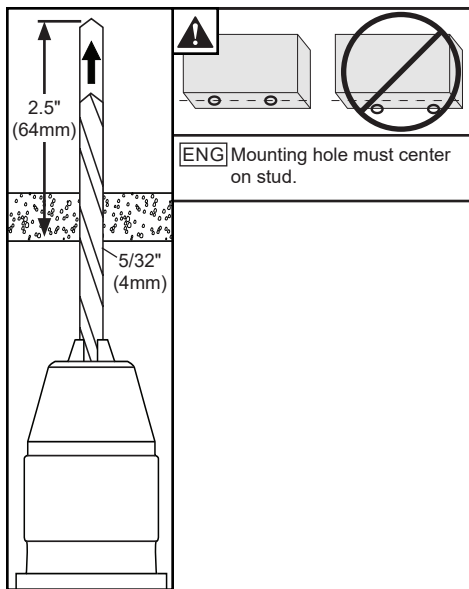
ENG Mark mounting holes on stud center lines.



### 1a-3



**ENG** Drill mounting holes into supporting surface (2.5" (64mm) minimum depth required).

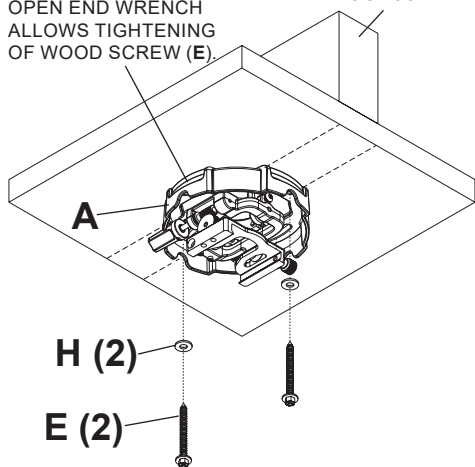


### 1a-4

**ENG** Install using wood screws provided.

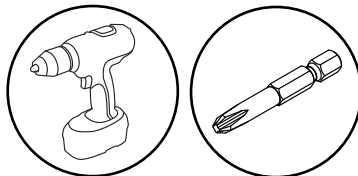
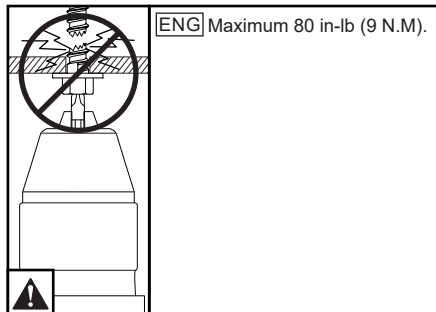
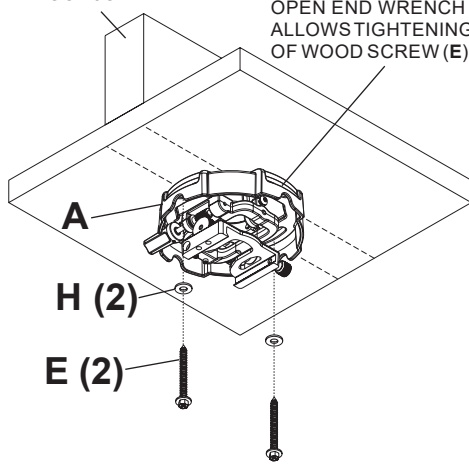
ACCESS SLOT FOR  
OPEN END WRENCH  
ALLOWS TIGHTENING  
OF WOOD SCREW (E).

WOOD JOIST

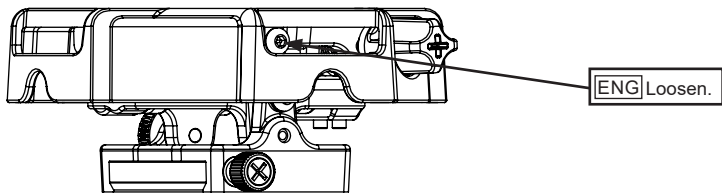
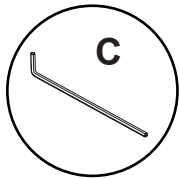


WOOD JOIST

ACCESS SLOT FOR  
OPEN END WRENCH  
ALLOWS TIGHTENING  
OF WOOD SCREW (E).

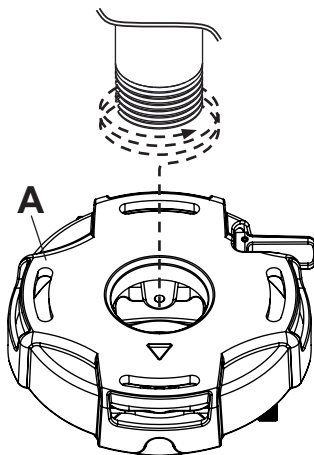


### 1b-1

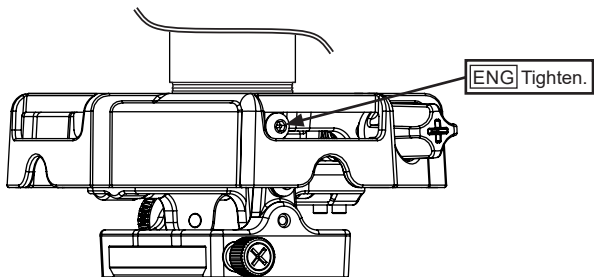
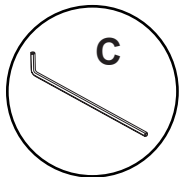


### 1b-2

**ENG** Rotate mount at least three full turns onto EXT or AEC series extension column (sold separately).



### 1b-3

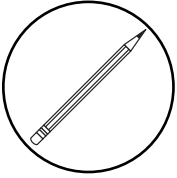


# 1c

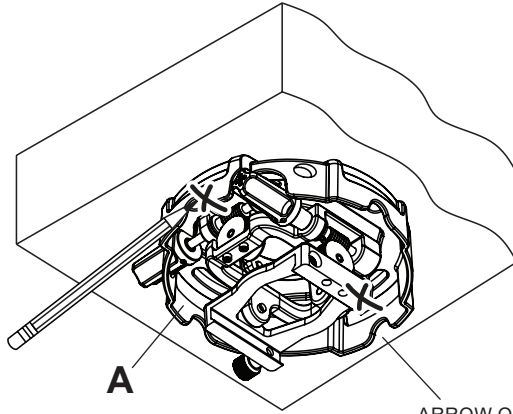
## ▲ WARNING

ENG - When installing Peerless ceiling mounts on a concrete ceiling, the ceiling must be at least 8" thick with a minimum compressive strength of 2000 psi. Never attach concrete expansion anchors to concrete covered with plaster, drywall, or other finishing material.

### 1c-1



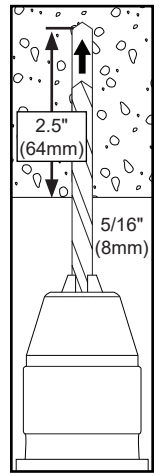
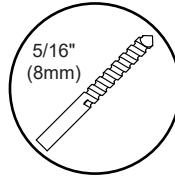
ENG Mark mounting holes.



ARROW ON TOP OF PROJECTOR MOUNT ASSEMBLY INDICATES FRONT OF MOUNT.

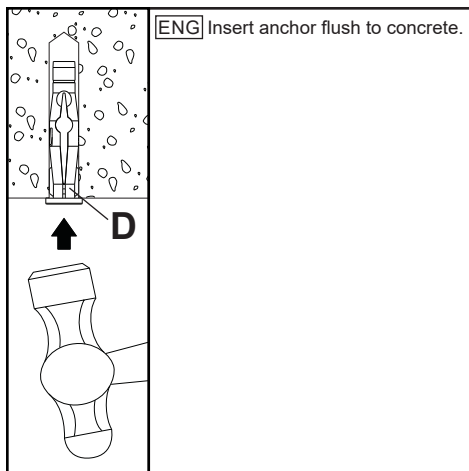
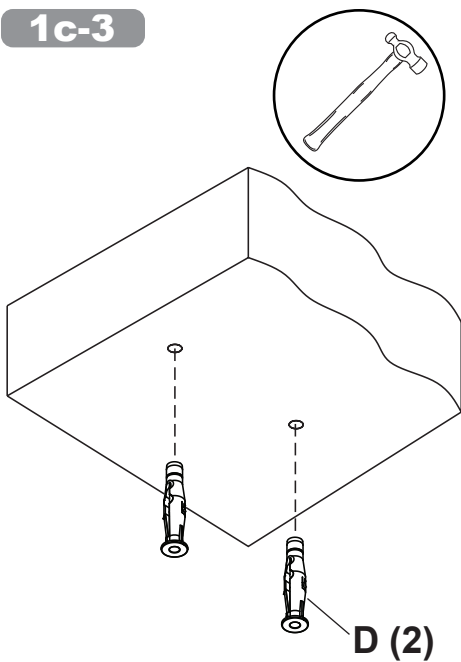
### 1c-2

ENG Drill mounting holes into supporting surface (2.5" (64mm) minimum depth required).



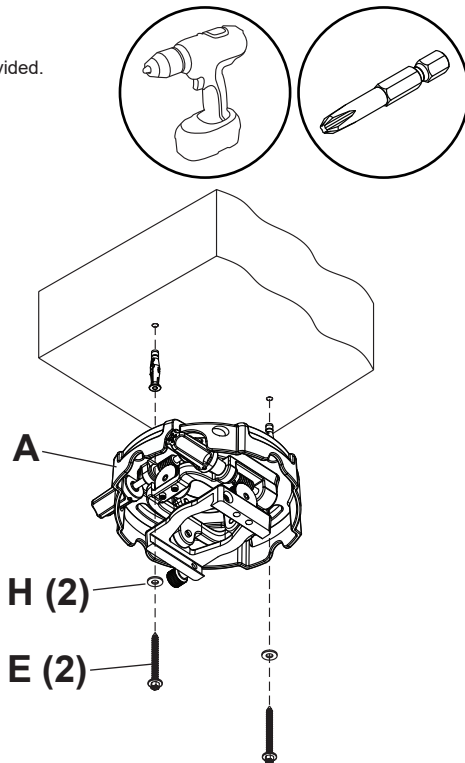
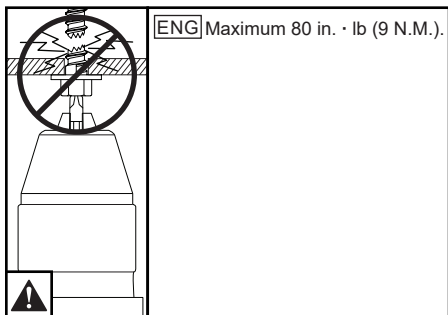


# 1c-3

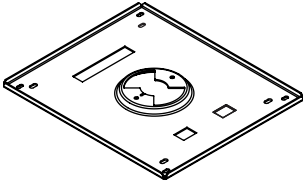


# 1c-4

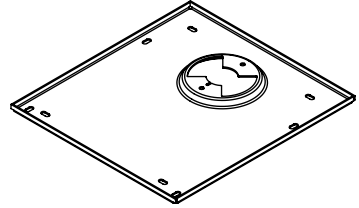
**ENG** Install using concrete anchors and wood screws provided.



2



\* For use with  
NP-PA653U, NP-PA803U,  
NP-PA853W, NP-PA903X,  
and NP-P506QL only

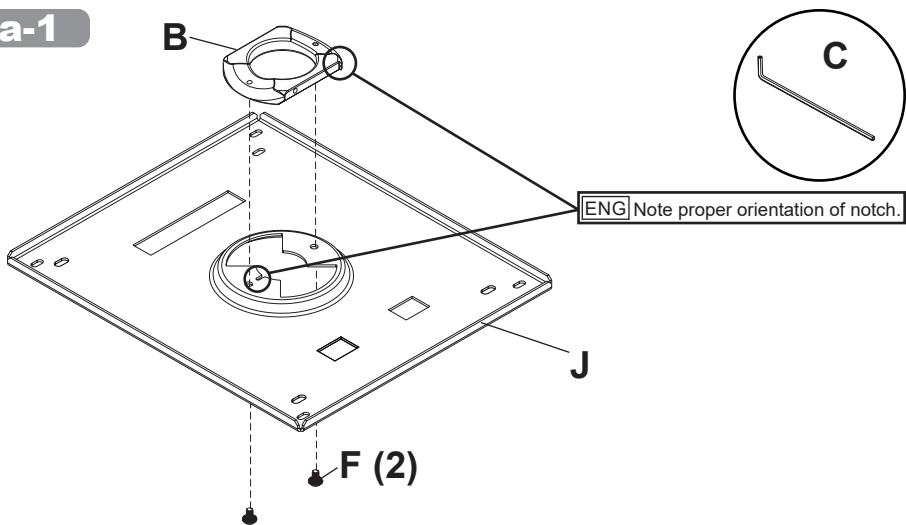


\* For use with  
NP-PA653UL, NP-PA703UL,  
NP-PA803UL, NP-PE455WL,  
NP-PE455UL, NP-P525WL,  
NP-P525UL, and NP-P605UL  
only

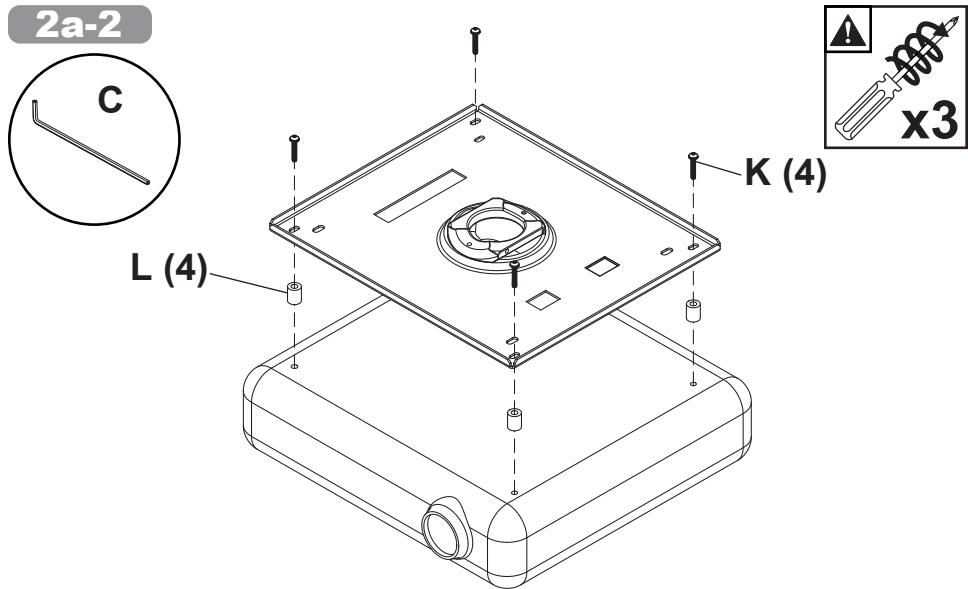


**ENG** This page intentionally left blank.

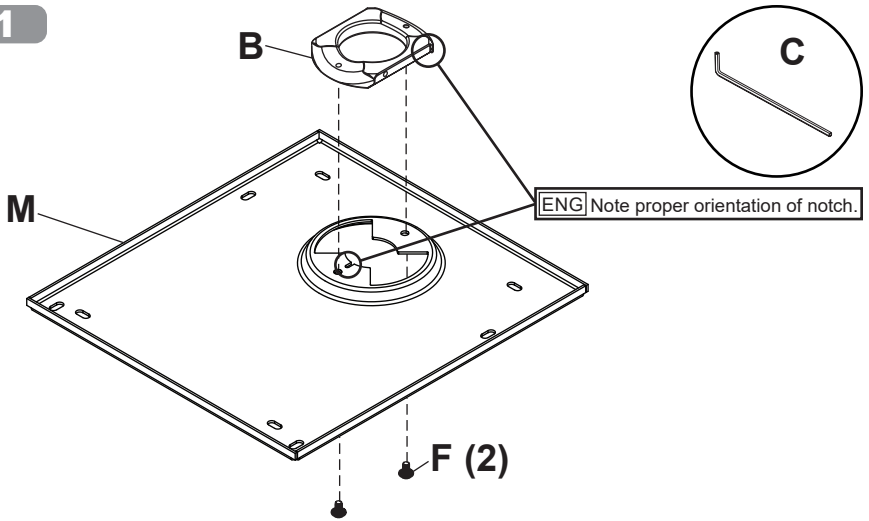
## 2a-1



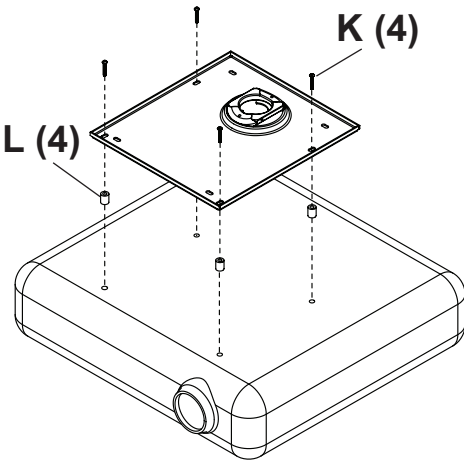
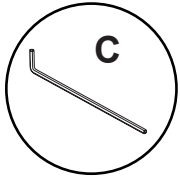
## 2a-2



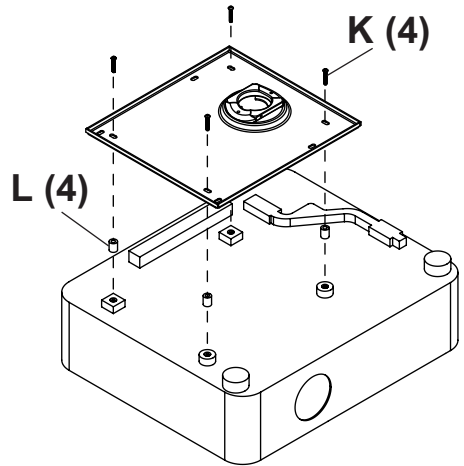
## 2b-1



## 2b-2

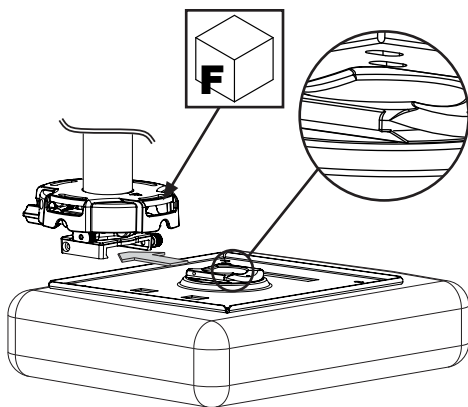
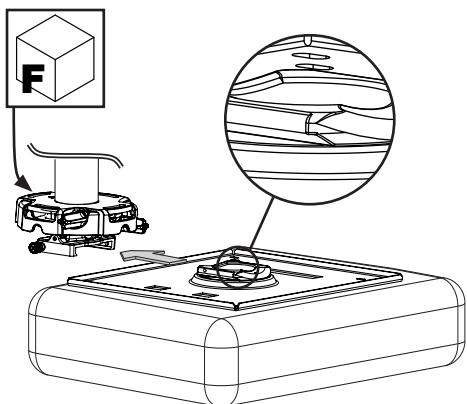


NP-PA653UL, NP-PA703UL,  
and NP-PA803UL only

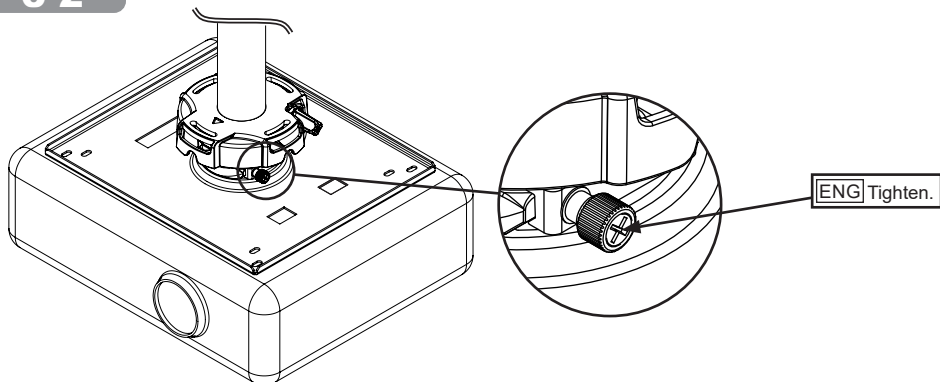


NP-PE455WL,  
NP-PE455UL, NP-P525WL,  
NP-P525UL, and NP-P605UL only

### 3-1

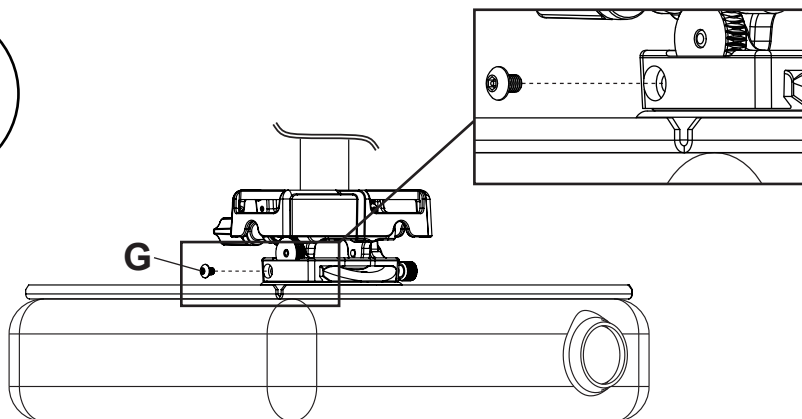
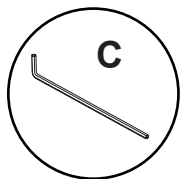


### 3-2



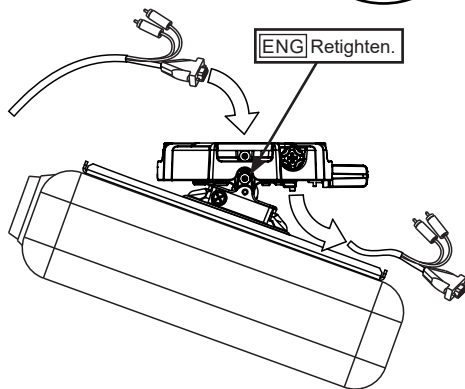
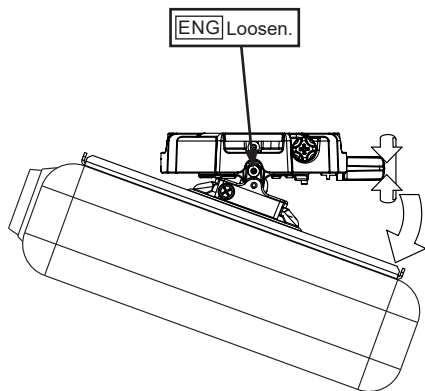
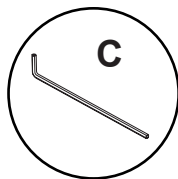
### 3-3

ENG Optional security screw.

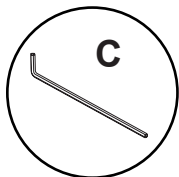


# 4

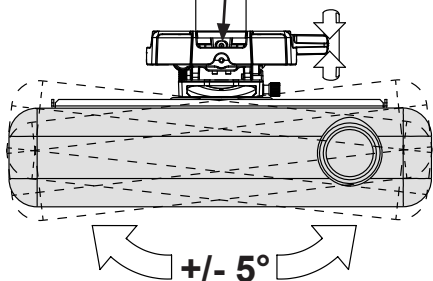
**ENG** Cable management: adjust pitch then route cables as shown.



# 5-1

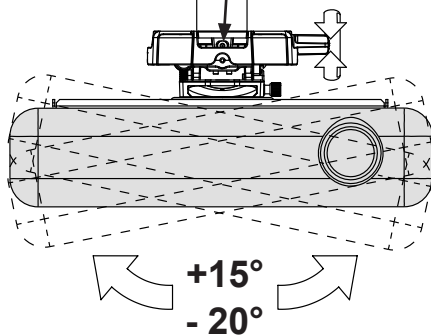


**ENG** Loosen, adjust, tighten.



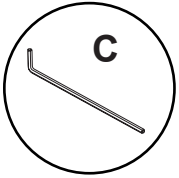
NP-PA653U, NP-PA803U,  
NP-PA853W, NP-PA903X,  
NP-P506QL, NP-PA653UL,  
NP-PA703UL, and NP-PA803UL only

**ENG** Loosen, adjust, tighten.

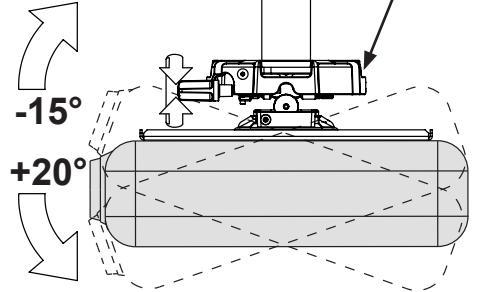
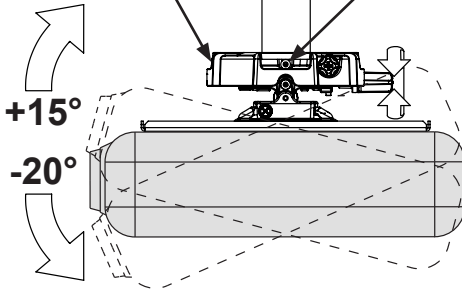


NP-PE455WL,  
NP-PE455UL, NP-P525WL,  
NP-P525UL, and NP-P605UL only

5-2



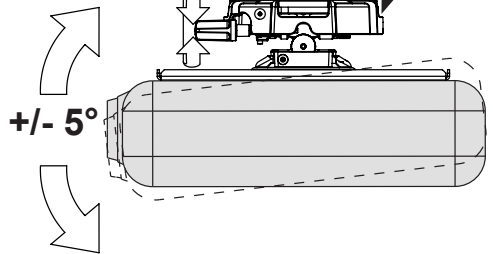
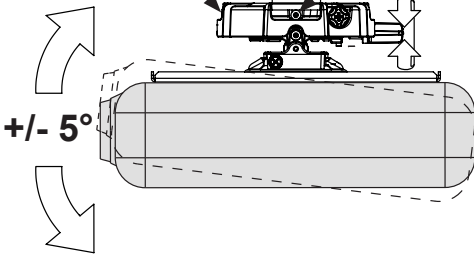
ENG Loosen, adjust, tighten.



NP-PA653U, NP-PA803U,  
NP-PA853W, NP-PA903X,  
NP-P506QL, NP-PA653UL,  
NP-PA703UL, and NP-PA803UL only



ENG Loosen, adjust, tighten.

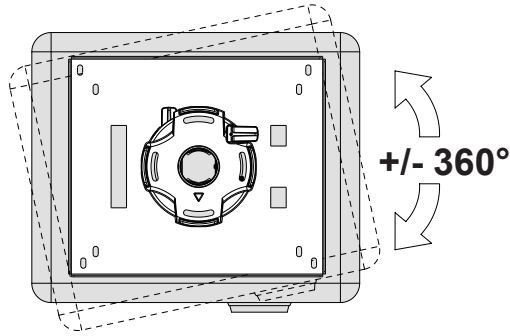


NP-PE455WL,  
NP-PE455UL, NP-P525WL,  
NP-P525UL, and NP-P605UL only

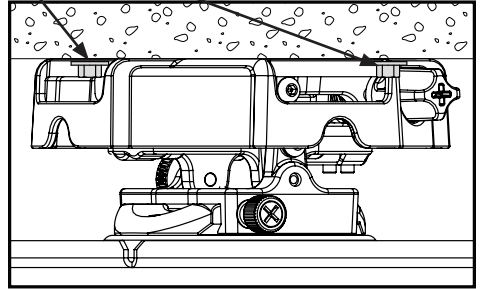
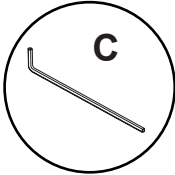
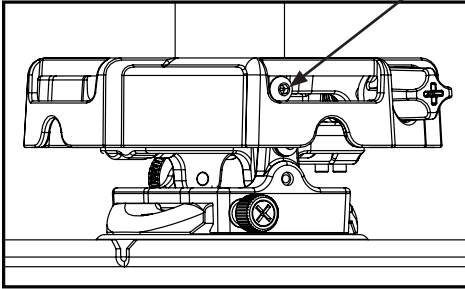


# 5-3

**ENG** SWIVEL (YAW) 360° (when attached to an extension column), +/- 15° (when flush mounted)



**ENG** Loosen, adjust, tighten.



**ENG** This page intentionally left blank.

**ENG** This page intentionally left blank.

ENG	Warranty	ESP	Garantía	FRN	Garantie	DEU	Garantie	NEL	Garantie
ITL	Garanzia	ČES	Záruka	SLK	Záruka	POR	Garantia	TÜR	Garanti

[www.peerless-av.com/warranty](http://www.peerless-av.com/warranty)

**SHARP / NEC**

**Peerless-AV**

2300 White Oak Circle  
Aurora, IL 60502  
Email: [tech@peerlessmounts.com](mailto:tech@peerlessmounts.com)  
Ph: (800) 865-2112  
Fax: (800) 359-6500  
[www.peerless-av.com](http://www.peerless-av.com)

© 2021, Peerless Industries, Inc.

**Peerless-AV Europe**

Unit 3 Watford Interchange,  
Colonial Way, Watford, Herts,  
WD24 4WP, United Kingdom  
Customer Care  
44 (0) 1923 200 100  
[www.peerless-av.com](http://www.peerless-av.com)

© 2021, Peerless Industries, Inc.

**Peerless-AV América Latina**

Av. de las Industrias 413  
Parque Industrial Escobedo  
General Escobedo N.L., México 66062  
Servicio al Cliente  
01-800-849-65-77  
[www.peerless-av.com](http://www.peerless-av.com)

© 2021, Peerless Industries, Inc.