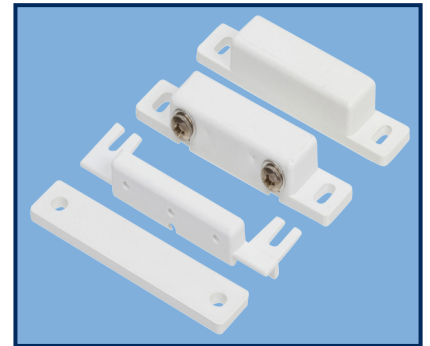


DESCRIPTION

Nascom's N82TXG surface mount screw terminal contacts protects all doors and windows, including steel doors, in commercial settings.

The N82TXG is the installer's choice of contact configuration where extra wide air and side-to-side gap are required to prevent false alarms caused by shifting or warping doors and windows.



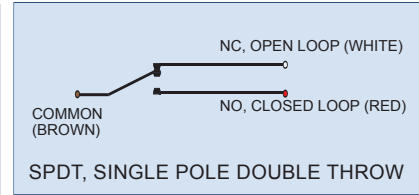
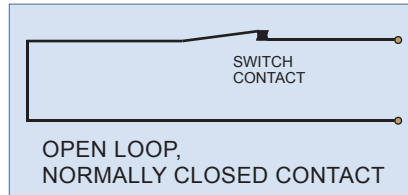
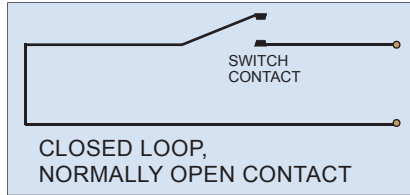
FEATURES

- ENCAPSULATED HERMETICALLY SEALED CONTACTS
- EXTRA WIDE GAP - N35 NdFeB RARE EARTH MAGNET
- LISTED TO UL634 STANDARD
- ABS HOUSING
- SPACER FOR STEEL DOOR INSTALLS

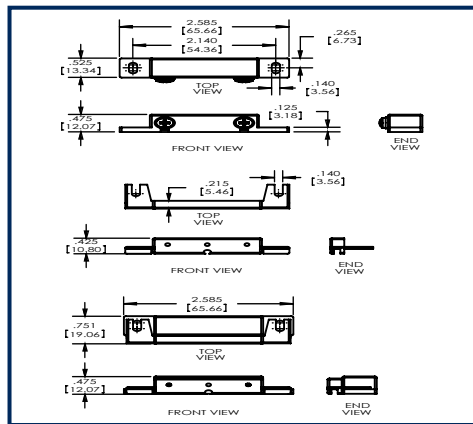
ORDERING INFORMATION

PART NUMBER	COLOR	OPERATE GAP (in inches)	CONTACT RATING (Max DC/Peak AC Resistive)				STATIC CONTACT RESISTANCE (50mV, 100mA)
			SWITCHING		CARRY		
			V	I	V	I	
CLOSED LOOP, NORMALLY OPEN, 1FA, SWITCH/MAGNET SET:							
N82TXGGSW/ST N82TXGB/ST N82TXGG/ST N82TXGGT/ST N82TXGW/ST	SNOW WHITE BROWN GREY TAN WHITE	1.00 to 2.00	200 VDC	0.5 Amps	10vA	1.5 Amps	150 mOhms
OPEN LOOP, NORMALLY CLOSED, 1FB, SWITCH/MAGNET SET:							
N82TXGSW/STFB N82TXGB/STFB N82TXGG/STFB N82TXGT/STFB N82TXGW/STFB	SNOW WHITE BROWN GREY TAN WHITE	0.75 to 1.50	30 VDC	0.2 Amps	3vA	0.5 Amps	100 mOhms
SINGLE POLE DOUBLE THROW, SWITCH/MAGNET SET:							
N82TXGSW/STSD N82TXGB/STSD N82TXGG/STSD N82TXGT/STSD N82TXGW/STSD	SNOW WHITE BROWN GREY TAN WHITE	0.75 to 1.50	30 VDC	0.2 Amps	3vA	0.5 Amps	100 mOhms
HIGH SECURITY, NORMALLY OPEN, 1FA, SWITCH/MAGNET SET:							
N82TXGSW/STHS N82TXGB/STHS N82TXGG/STHS N82TXGT/STHS N82TXGW/STHS	SNOW WHITE BROWN GREY TAN WHITE	0.1875 to 0.5000	300 VDC	0.25 Amps	10vA	0.25 Amps	150 mOhms initial

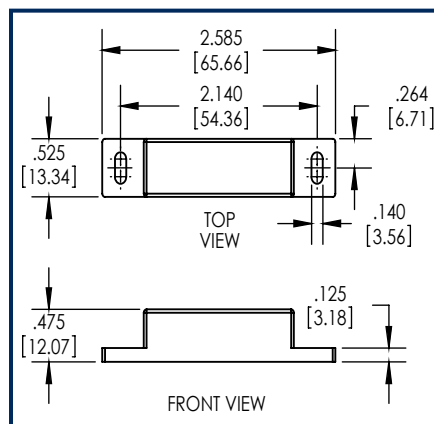
WIRING SCHEMATIC



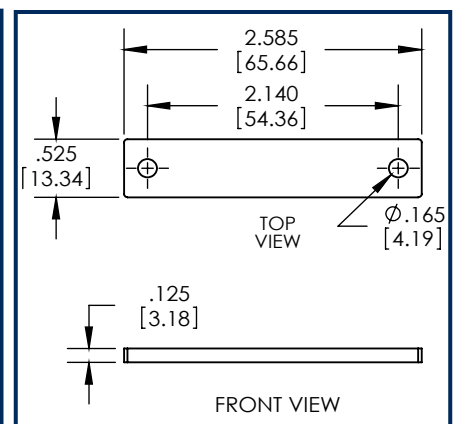
DIMENSIONS - IN [mm]



SWITCH



MAGNET



SPACER

INSTALLATION INSTRUCTIONS

Note: High Security model – Dots on switch and magnet must be aligned for correct operation.

- Position the switch on the door/window frame in the desired location as close to the movable part of the door /window as possible.
- Mark the switch mounting screw locations and drill the mounting screw holes using a drill adequately sized for #6 self-tapping screws.
- Install screws and tighten to mount the switch on the door/window frame.
- Position the magnet on the movable part of the door/window, align the magnet with the switch as close as possible. For steel door or window applications, use the enclosed spacer under the magnet.
- Mark the magnet mounting screw locations and drill the mounting screw holes using a drill adequately sized for #6 self-tapping screws.
- Install screws and tighten to mount the magnet on the door/window.
- Connect the alarm circuit leads to the terminals on the switch and test the system for correct operation.
- Loosen the switch mounting screws and install terminal screw cover. Retighten mounting screws.

PART NUMBERING SYSTEM
