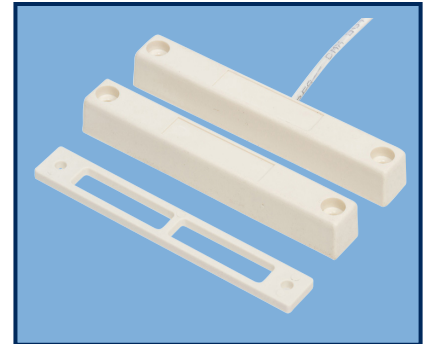


DESCRIPTION

Nascom's N400 4 inch industrial bar contact with jacketed leads protects steel and wood doors in commercial settings.

The N400 is the installer's choice of contact configuration where extra wide air and side-to-side gap are required to prevent false alarms caused by shifting or warping doors. The N400 offers convenient installation with center wire leadout.



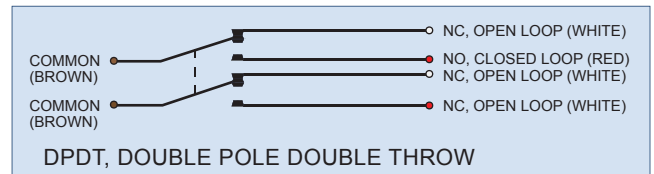
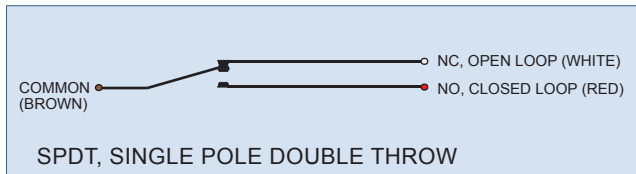
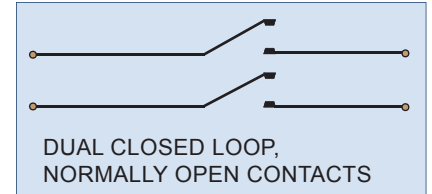
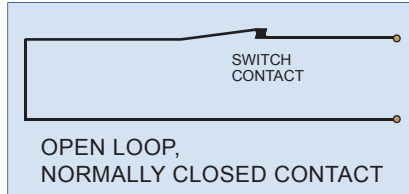
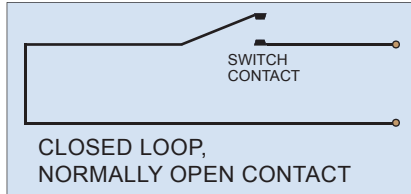
FEATURES

- ENCAPSULATED HERMETICALLY SEALED CONTACTS
- ABS HOUSING
- EXTRA WIDE GAP - N35 NdFeB RARE EARTH MAGNET
- SPACER FOR STEEL DOOR INSTALLS
- JACKETED CENTER WIRE
- LISTED TO UL634 STANDARD

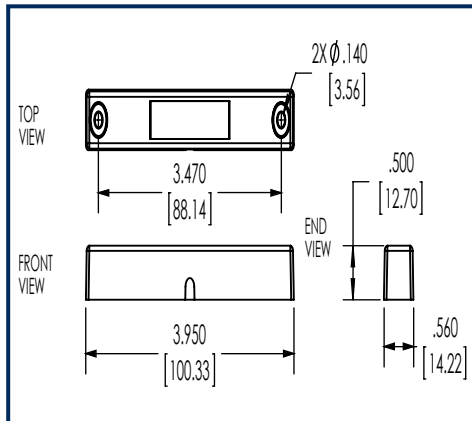
ORDERING INFORMATION

PART NUMBER	COLOR	OPERATE GAP (in inches)	CONTACT RATING (Max DC/Peak AC Resistive)				STATIC CONTACT RESISTANCE (50mV, 100mA)
			SWITCHING		CARRY		
			V	I	V	I	
CLOSED LOOP, NORMALLY OPEN, 1FA, SWITCH/MAGNET SET:							
N400B/ST N400G/ST N400T/ST N400W/ST	BROWN GREY TAN WHITE	1.50 to 2.50	200 VDC	0.5 Amps	10vA	1.5 Amps	150 mOhms
DUAL CLOSED LOOP, NORMALLY OPEN, 1FA, SWITCH/MAGNET SET:							
N400B/ST2CR N400G/ST2CR N400T/ST2CR N400W/ST2CR	BROWN GREY TAN WHITE	1.50 to 2.50	200 VDC	0.5 Amps	10vA	1.5 Amps	150 mOhms
OPEN LOOP, NORMALLY CLOSED, 1FB, SWITCH/MAGNET SET:							
N400B/STFB N400G/STFB N400T/STFB N400W/STFB	BROWN GREY TAN WHITE	1.25 to 2.25	30 VDC	0.2 Amps	3vA	0.5 Amps	150 mOhms
SINGLE POLE, DOUBLE THROW SWITCH/MAGNET SET:							
N400B/STSD N400G/STSD N400T/STSD N400W/STSD	BROWN GREY TAN WHITE	1.25 to 2.25	30 VDC	0.2 Amps	3vA	0.5 Amps	150 mOhms
DOUBLE POLE, DOUBLE THROW SWITCH/MAGNET SET:							
N400B/STDD N400G/STDD N400T/STDD N400W/STDD	BROWN GREY TAN WHITE	1.25 to 2.25	30 VDC	0.2 Amps	3vA	0.5 Amps	150 mOhms
HIGH SECURITY, NORMALLY OPEN, 1FA, SWITCH/MAGNET SET:							
N400B/STHS N400G/STHS N400T/STHS N400W/STHS	BROWN GREY TAN WHITE	0.1875 to .050	300 VDC	0.25 Amps	10vA	0.25 Amps	150 mOhms initial

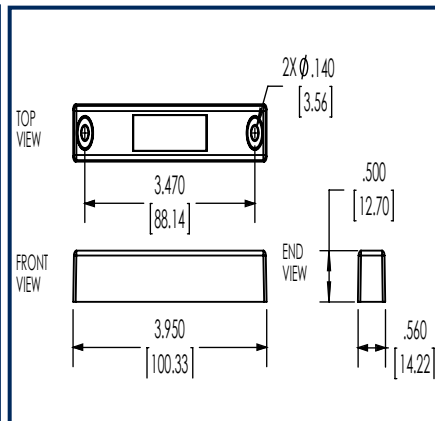
WIRING SCHEMATIC



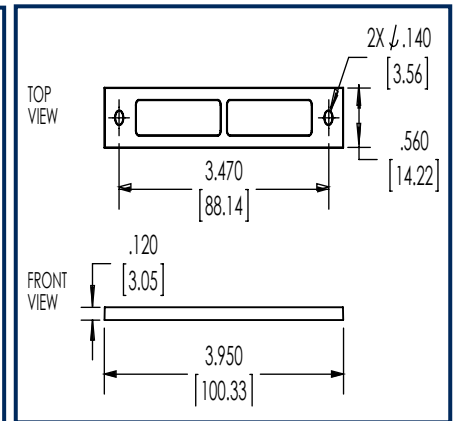
DIMENSIONS - IN [mm]



SWITCH



MAGNET



SPACER

INSTALLATION INSTRUCTIONS

Note: High Security model – Dots on switch and magnet must be aligned for correct operation.

- Installation on Steel Doors - Use the enclosed spacers under the switch and magnet.
- Position the switch on the door frame and the magnet on the door in desired location.
- Align the switch and magnet housings as close as possible on the door with ¼" gap between the housings.
- Mark the mounting hole locations and drill mounting holes using a drill bit adequately sized for a #6 self-tapping screw.
- Attach the switch to the door frame using two #6 Self-Tapping screws.
- Attach the magnet to the door using two #6 Self-Tapping screws.
- Connect an ohm meter to the switch leads and open and close the door to test switch for correct operation.
- Connect the switch leads to the alarm system. **Caution** Hold wire leads, not the switch housing while cutting and stripping to prevent damage to switch.
- Test alarm system for correct operation

PART NUMBER SYSTEM

