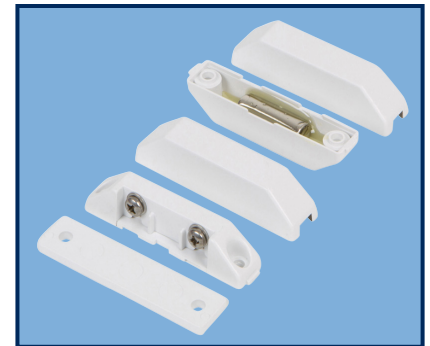


DESCRIPTION

Nascom's N285TWG surface mount screw terminal contacts protects all doors and windows, including steel doors, in commercial settings. The low profile design with beveled covers make for an attractive installation.

The N285TWG is the installer's choice of contact configuration where extra wide air and side-to-side gap are required to prevent false alarms caused by shifting or warping doors and windows.



FEATURES

- ENCAPSULATED HERMETICALLY SEALED CONTACTS
- WIDE GAP - N35 NdFeB RARE EARTH MAGNET
- SWITCH AND MAGNET BEVELED COVERS
- ABS HOUSING
- SPACER FOR STEEL DOOR INSTALLS
- LISTED TO UL634 STANDARD

ORDERING INFORMATION

PART NUMBER	COLOR	OPERATE GAP (in inches)	CONTACT RATING (Max DC/Peak AC Resistive)				STATIC CONTACT RESISTANCE (50mV, 100mA)
			SWITCHING		CARRY		
			V	I	V	I	

CLOSED LOOP, NORMALLY OPEN, 1FA, SWITCH/MAGNET SET:

N285TWGGSW/ST N285TWGB/ST N285TWGG/ST N285TWGGT/ST N285TWGW/ST	SNOW WHITE BROWN GREY TAN WHITE	1.00 to 2.00	200 VDC	0.5 Amps	10vA	1.5 Amps	150 mOhms
--	---	--------------	---------	----------	------	----------	-----------

OPEN LOOP, NORMALLY CLOSED, 1FB, SWITCH/MAGNET SET:

N285TWGSW/STFB N285TWGB/STFB N285TWGG/STFB N285TWGT/STFB N285TWGW/STFB	SNOW WHITE BROWN GREY TAN WHITE	0.75 to 1.50	30 VDC	0.2 Amps	3vA	0.5 Amps	100 mOhms
--	---	--------------	--------	----------	-----	----------	-----------

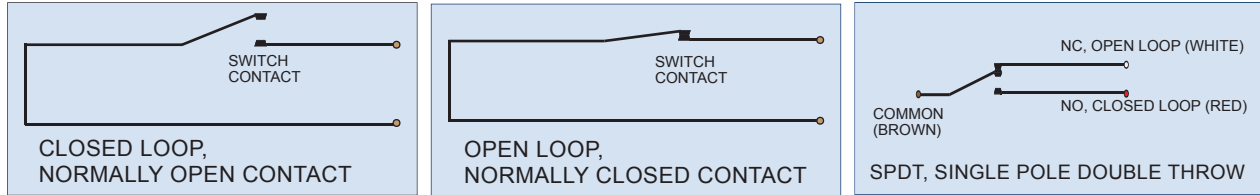
SINGLE POLE DOUBLE THROW, SWITCH/MAGNET SET:

N285TWGSW/STSD N285TWGB/STSD N285TWGG/STSD N285TWGT/STSD N285TWGW/STSD	SNOW WHITE BROWN GREY TAN WHITE	0.75 to 1.50	30 VDC	0.2 Amps	3vA	0.5 Amps	100 mOhms
--	---	--------------	--------	----------	-----	----------	-----------

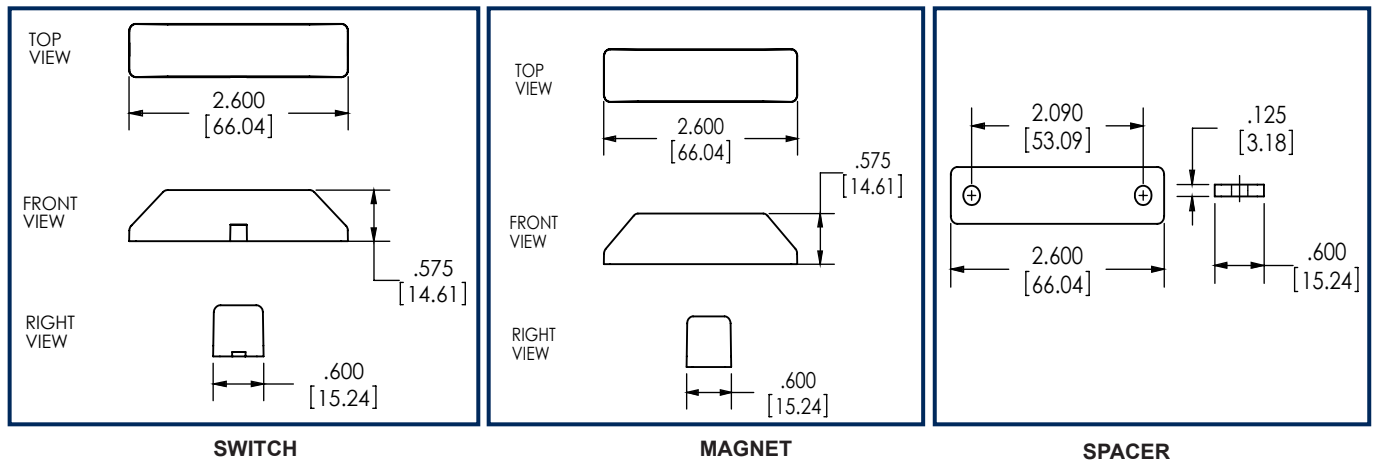
HIGH SECURITY, NORMALLY OPEN, 1FA, SWITCH/MAGNET SET:

N285TWGSW/STHS N285TWGB/STHS N285TWGG/STHS N285TWGT/STHS N285TWGW/STHS	SNOW WHITE BROWN GREY TAN WHITE	0.1875 to 0.5000	300 VDC	0.25 Amps	10vA	0.25 Amps	150 mOhms initial
--	---	------------------	---------	-----------	------	-----------	-------------------

WIRING SCHEMATIC



DIMENSIONS - IN [mm]



INSTALLATION INSTRUCTIONS

Note: High Security model – Dots on switch and magnet must be aligned for correct operation.

- Remove the snap-on covers from the switch and magnet.
- Position the switch on the door/window frame in the desired location as close to the movable part of the door /window as possible.
- Mark the switch mounting screw locations and drill the mounting screw holes using a drill adequately sized for #6 self-tapping screws.
- Install screws and tighten to mount the switch on the door/window frame.
- Position the magnet on the movable part of the door/window, align the magnet with the switch as close as possible. For steel door or window applications, use the enclosed spacer under the magnet.
- Mark the magnet mounting screw locations and drill the mounting screw holes using a drill adequately sized for #6 self-tapping screws.
- Install screws and tighten to mount the magnet on the door/window.
- Connect the alarm circuit leads to the terminals on the switch and test the system for correct operation.
- Snap the covers on the switch and magnet.

PART NUMBERING SYSTEM

