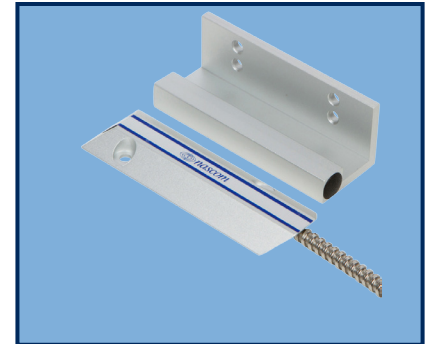


## DESCRIPTION

Nascom's N205A is a wide gap standard size floor mount for commercial and industrial overhead door applications with an L shape magnet.

The N205A combines the installers' choice of contact configuration for maximum gap performance with an L shape magnet.

The closed loop versions of the N205A prevent false alarms caused by the side to side shifting of overhead doors with our unique **NO DEAD SPOT™** technology.



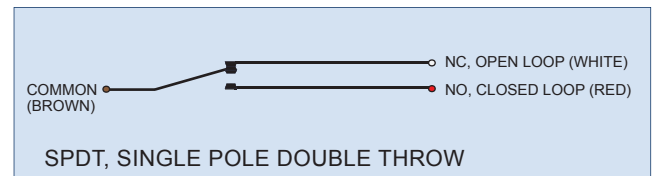
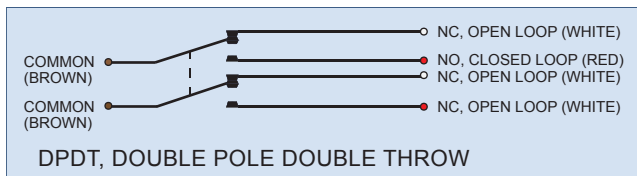
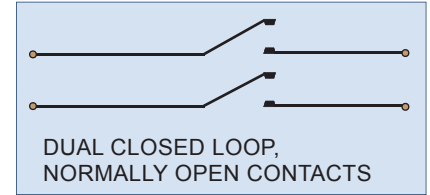
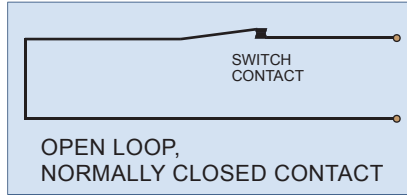
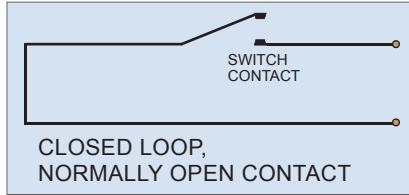
## FEATURES

- **NO DEAD SPOT™** TECHNOLOGY
- 24" ARMORED CABLE LEAD PROTECTION
- INDUSTRY STANDARD SWITCH MOUNTING HOLES
- LISTED TO UL634 STANDARD
- WIDE GAP - AINiCo 5 MAGNET
- 36" 22AWG WIRE LEADS
- EXTRUDED ANODIZED (TYPE II) ALUMINUM

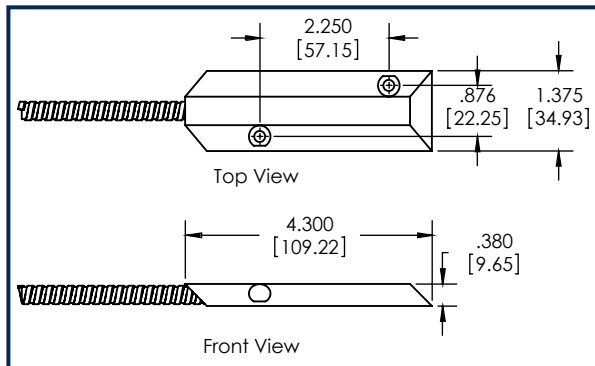
## ORDERING INFORMATION

PART NUMBER	COLOR	OPERATE GAP (in INCHES)	CONTACT RATING (Max DC/Peak AC Resistive)				STATIC CONTACT RESISTANCE (50mV, 100mA)
			SWITCHING		CARRY		
			V	I	V	I	
<b>CLOSED LOOP, NORMALLY OPEN, 1FA, SWITCH/MAGNET SET:</b>							
N205A/ST	SILVER	1.50 to 2.50	200 VDC	0.5 Amps	10vA	1.5 Amps	150 mOhms
<b>DUAL CLOSED LOOP, NORMALLY OPEN, 1FA, SWITCH/MAGNET SET:</b>							
N205A/ST2CR	SILVER	1.50 to 2.50	200 VDC	0.5 Amps	10vA	0.5 Amps	150 mOhms
<b>OPEN LOOP, NORMALLY CLOSED, 1FB, SWITCH/MAGNET SET:</b>							
N205A/STFB	SILVER	1.25 to 2.25	30 VDC	0.2 Amps	3vA	0.5 Amps	100 mOhms
<b>SINGLE POLE DOUBLE THROW, SWITCH/MAGNET SET:</b>							
N205A/STSD	SILVER	1.25 to 2.25	30 VDC	0.2 Amps	3vA	0.5 Amps	100 mOhms
<b>DOUBLE POLE DOUBLE THROW, SWITCH/MAGNET SET:</b>							
N205A/STDD	SILVER	1.75 to 3.00	30 VDC	0.2 Amps	3vA	0.5 Amps	100 mOhms
<b>HIGH SECURITY, NORMALLY OPEN, 1FA, SWITCH/MAGNET SET:</b>							
N205A/STHS	SILVER	0.1875 to 0.50	300 VDC	0.25 Amps	10vA	0.25 Amps	150 mOhms initial

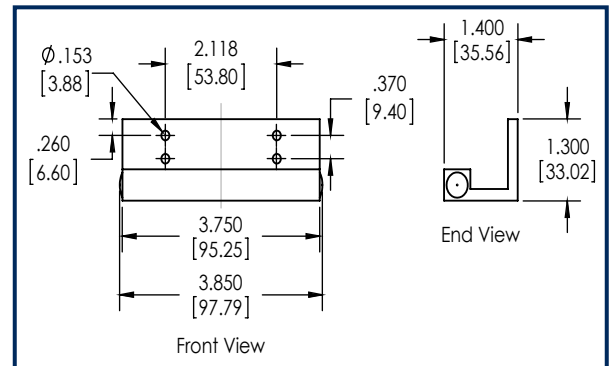
## WIRING SCHEMATIC



## DIMENSIONS - IN [mm]



SWITCH



MAGNET

## INSTALLATION INSTRUCTIONS

The switch can be mounted on the floor at the base of the door or on the wall at the top of the door. For best performance, align the switch and magnet housings and keep the gap distance between the switch and magnet as close as possible.

### FLOOR MOUNT:

- With the overhead door closed, position the magnet on the lower right or left side of the door, then align the switch under the magnet. Adjust the position of the switch and magnet to ensure there is adequate clearance between the housings (1/4" minimum).
- Make sure the stainless steel armored cable will not interfere with the door operation.
- Mark the mounting hole locations for the switch and magnet.
- Drill the marked locations on the door using a high speed drill adequately sized for self-tapping screws or machine screws.
- Mount the magnet on the door.
- Raise the door and drill the switch mounting hole locations using a masonry bit for concrete floors, sized to fit expansion anchors for #6 self-tapping screws.
- Secure the switch to the floor.
- Test the switch by attaching an ohm meter to the switch leads and operate the door.
- Connect the leads to the alarm system conductors.

## PART NUMBER SYSTEM

