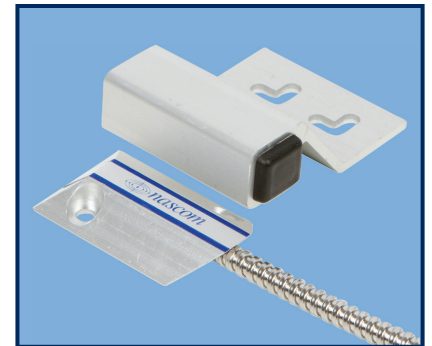


DESCRIPTION

Nascom's N200AU MIGHTY MITE is a mini overhead door switch with universal magnet for commercial and industrial overhead door applications.

The MIGHTY MITE combines the installers' choice of contact configuration with an N35 NdFeB magnet for maximum gap performance.

The closed loop versions of the N200AU prevent false alarms caused by the side to side shifting of overhead doors with our unique **NO DEAD SPOT™** technology.



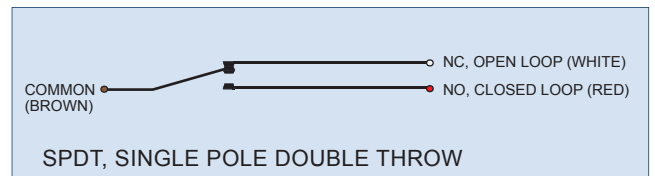
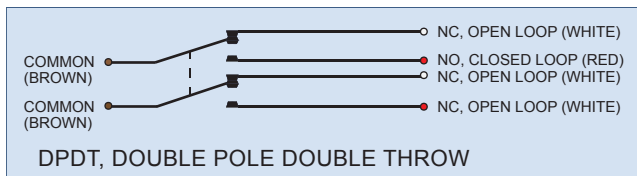
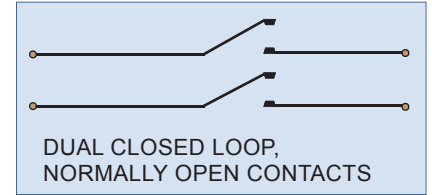
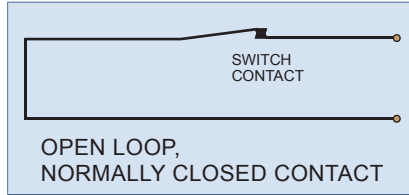
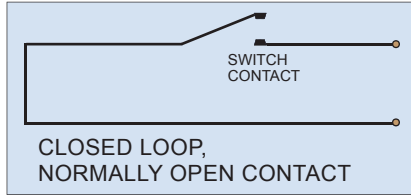
FEATURES

- **NO DEAD SPOT™** TECHNOLOGY
- EXTRA WIDE GAP - N35 NdFeB RARE EARTH MAGNET
- 24" ARMORED CABLE LEAD PROTECTION
- LISTED TO UL634 STANDARD
- UNIVERSAL MOUNT
- 36" 22AWG WIRE LEADS
- EXTRUDED ANODIZED (TYPE II) ALUMINUM

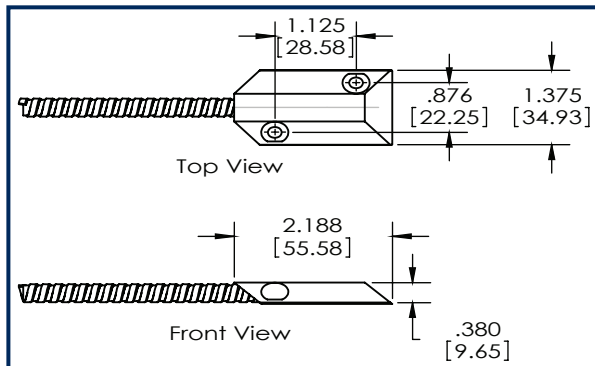
ORDERING INFORMATION

PART NUMBER	COLOR	OPERATE GAP (in INCHES)	CONTACT RATING (Max DC/Peak AC Resistive)				STATIC CONTACT RESISTANCE (50mV, 100mA)
			SWITCHING		CARRY		
			V	I	V	I	
CLOSED LOOP, NORMALLY OPEN, 1FA, SWITCH/MAGNET SET:							
N200AU/ST	SILVER	1.75 to 2.75	200 VDC	0.5 Amps	10vA	1.5 Amps	150 mOhms
DUAL CLOSED LOOP, NORMALLY OPEN, 1FA, SWITCH/MAGNET SET:							
N200AU/ST2CR	SILVER	1.75 to 2.75	200 VDC	0.5 Amps	10vA	0.5 Amps	150 mOhms
OPEN LOOP, NORMALLY CLOSED, 1FB, SWITCH/MAGNET SET:							
N200AU/STFB	SILVER	1.50 to 2.50	30 VDC	0.2 Amps	3vA	0.5 Amps	100 mOhms
SINGLE POLE DOUBLE THROW, SWITCH/MAGNET SET:							
N200AU/STSD	SILVER	1.50 to 2.50	30 VDC	0.2 Amps	3vA	0.5 Amps	100 mOhms
DOUBLE POLE DOUBLE THROW, SWITCH/MAGNET SET:							
N200AU/STDD	SILVER	1.50 to 2.50	30 VDC	0.2 Amps	3vA	0.5 Amps	100 mOhms
HIGH SECURITY, NORMALLY OPEN, 1FA, SWITCH/MAGNET SET:							
N200AU/STHS	SILVER	0.1875 to 0.50	300 VDC	0.25 Amps	10vA	0.25 Amps	150 mOhms initial

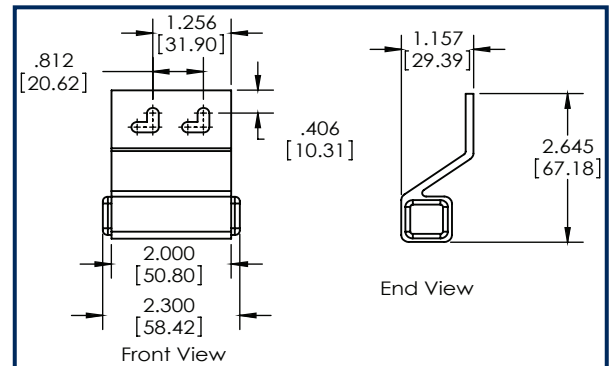
WIRING SCHEMATIC



DIMENSIONS - IN [mm]



SWITCH



MAGNET

INSTALLATION INSTRUCTIONS

The switch can be mounted on the floor at the base of the door or on the wall at the top of the door. For best performance, align the switch and magnet housings and keep the gap distance between the switch and magnet as close as possible.

FLOOR MOUNT:

- With the overhead door closed, position the magnet on the lower right or left side of the door, then align the switch under the magnet. Adjust the position of the switch and magnet to ensure there is adequate clearance between the housings (1/4" minimum).
- Make sure the stainless steel armored cable will not interfere with the door operation.
- Mark the mounting hole locations for the switch and magnet.
- Drill the marked locations on the door using a high speed drill adequately sized for self-tapping screws or machine screws.
- Mount the magnet on the door.
- Raise the door and drill the switch mounting hole locations using a masonry bit for concrete floors, sized to fit expansion anchors for #6 self-tapping screws.
- Secure the switch to the floor.
- Test the switch by attaching an ohm meter to the switch leads and operate the door.
- Connect the leads to the alarm system conductors.

INSTALLATION INSTRUCTIONS, continued

TOP MOUNT:

- With the overhead door closed, position the magnet at the top of the door in the desired location, then align the switch under the magnet. Adjust the position of the switch and magnet to ensure there is adequate clearance between the housings (1/4" minimum).
- Make sure the stainless steel armored cable will not interfere with the door operation.
- Mark the mounting hole locations for the switch and magnet.
- Drill the marked locations on the door using a high speed drill adequately sized for self-tapping screws or machine screws.
- Drill the switch mounting hole locations using a masonry bit for concrete or cement block walls sized to fit expansion anchors for #6 self-tapping screws or use dry wall anchors for sheet rock walls.
- Attach the switch to the wall first using #6 self-tapping screws and then attach the magnet to the door using #8 self-tapping screws.
- Test the switch by attaching an ohm meter to the switch leads and operate the door.
- Connect the leads to the alarm system conductors.

PART NUMBER SYSTEM

