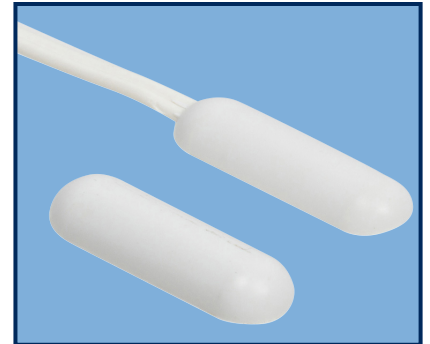


DESCRIPTION

Nascom's N135WG CAP E Series is our ground breaking CAP switch. Never drill in windows or doors again. The switch and magnet are so thin they will fit between the window sill and sash. When surface mounted, the smooth rounded edges and ultra-thin profile makes it almost disappear. The CAP switch is designed to protect all nonferrous (e.g. wood, aluminum and vinyl) doors and windows, in both residential and commercial settings.

The N135WG CAP E, is the installer's choice of contact configuration where surface mount is required excellent air and side-to-side gaps are required to prevent false alarms caused by shifting or warping doors and windows.



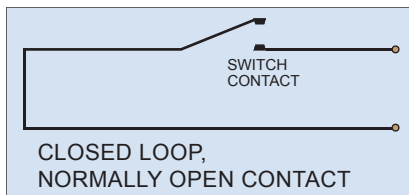
FEATURES

- EURO DESIGN - ALMOST DISAPPEARS
- 12" 24AWG ZIPCORD LEADS
- WIDE GAP - N35 NdFeB RARE EARTH
- 3M VHB (Very High Bond) DOUBLE SIDED TAPE
- ABS HOUSINGS

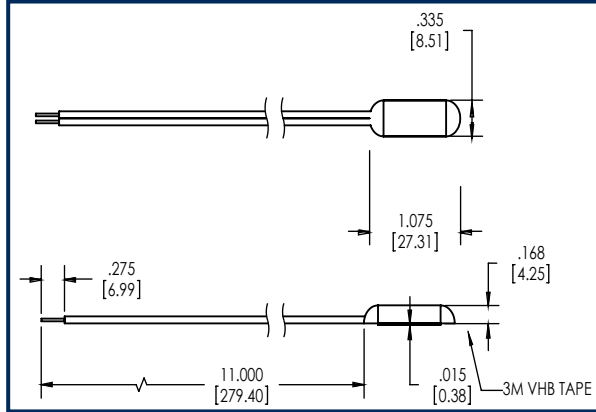
ORDERING INFORMATION

PART NUMBER	COLOR	OPERATE GAP (in inches)	CONTACT RATING (Max DC/Peak AC Resistive)				STATIC CONTACT RESISTANCE (50mV, 100mA)
			SWITCHING		CARRY		
			V	I	V	I	
CLOSED LOOP, NORMALLY OPEN, 1FA, SWITCH/MAGNET SET:							
N135WGB/ST CAPE	BROWN	0.50 to 0.875	200 VDC	0.5 Amps	10vA	1.5 Amps	150 mOhms
N135WGG/ST CAPE	GREY						
N135WGT/ST CAPE	TAN						
N135WGW/ST CAPE	WHITE						

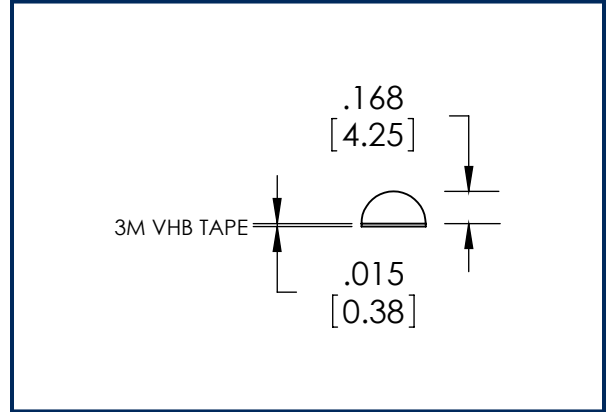
WIRING SCHEMATIC



DIMENSIONS - IN [mm]



SWITCH



MAGNET

INSTALLATION INSTRUCTIONS

- Pre-fit the switch and magnet in the desired location on the window.
- Clean the mounting surface area for both switch and magnet with alcohol and let dry.
- Remove the liner from the tape on the back of the switch and carefully position the switch on the window frame as close as possible to the movable part of the window.
- Remove the liner from the tape on the back of the magnet and carefully align the magnet parallel with the switch on the movable part of the window and as close to the window frame as possible.
- Apply firm pressure to the switch and magnet housing to ensure proper adhesion to the mounting surface.
- Connect the switch leads to the alarm system circuit. **Caution!** Hold wire leads, not the switch housing while cutting and stripping to prevent damage to switch.
- Test alarm system for correct operation.

PART NUMBERING SYSTEM

N135WG X / ST XXXX CAPE

COLOR:

- B = BROWN
- G = GREY
- T = TAN
- W = WHITE

LEAD LENGTH (zero, 3 or 4 digits):

- Blank - 12 Inches
- All other lengths specified in Inches with 3 digits (e.g. 036 = 36 Inches)