

### DESCRIPTION

Nascom's N1178C Series is a 3/4" recessed wide gap stubby door contact designed for residential, commercial and industrial steel and wood door applications.

The N1178C is the installer's choice of contact configuration because the contact set is designed to cut installation times and helps to prevent false alarms caused by shifting or warping doors.

The N1178C Series is designed for installation in every type of hinged door.



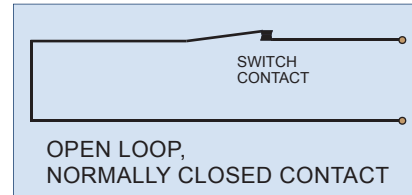
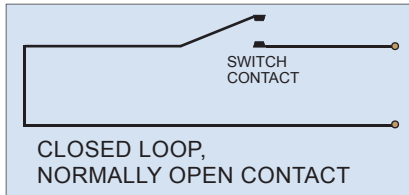
### FEATURES

- SNAP FIT ON STEEL - NO GLUE REQUIRED
- SCREW TERMINALS
- WIDE GAP - N35 NdFeB RARE EARTH MAGNET
- ENCAPSULATED HERMETICALLY SEALED CONTACTS
- POLYPROPYLENE HOUSINGS
- LISTED TO UL634 STANDARD

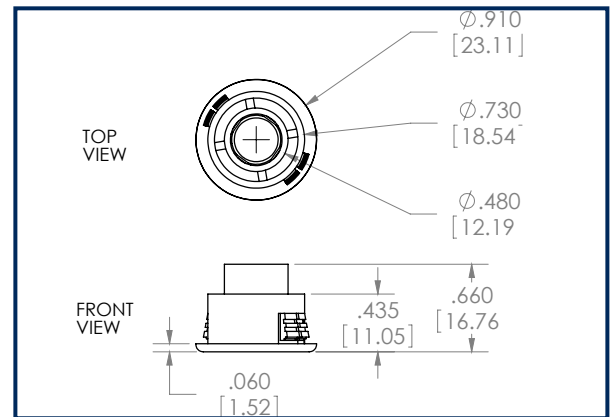
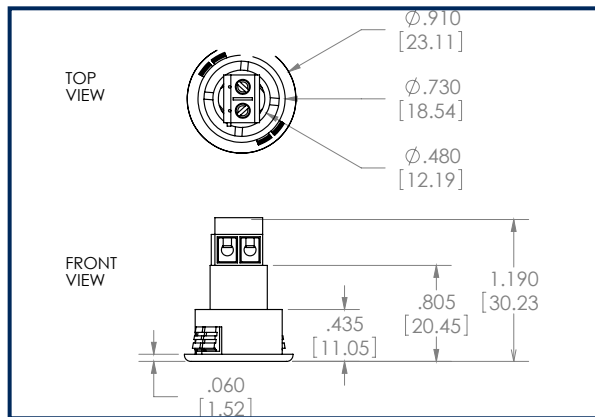
### ORDERING INFORMATION

PART NUMBER	COLOR	OPERATE GAP (in inches)	CONTACT RATING (Max DC/Peak AC Resistive)				STATIC CONTACT RESISTANCE (50mV, 100mA)
			SWITCHING		CARRY		
			V	I	V	I	
<b>CLOSED LOOP, NORMALLY OPEN, 1FA, SWITCH/MAGNET SET:</b>							
N1178CTB/ST N1178CTG/ST N1178CTT/ST N1178CTW/ST	BROWN GREY TAN WHITE	0.875 to 1.50	200 VDC	0.5 Amps	10vA	1.5 Amps	150 mOhms
<b>OPEN LOOP, NORMALLY CLOSED, 1FB, SWITCH/MAGNET SET:</b>							
N1178CTB/STFB N1178CTG/STFB N1178CTT/STFB N1178CTW/STFB	BROWN GREY TAN WHITE	0.75 to 1.25	30 VDC	0.2 Amps	3vA	0.5 Amps	150 mOhms
<b>HIGH SECURITY, NORMALLY OPEN, 1FA, SWITCH/MAGNET SET:</b>							
N1178CTB/STHS N1178CTG/STHS N1178CTT/STHS N1178CTW/STHS	BROWN GREY TAN WHITE	0.1875 to 0.5000	300 VDC	0.25 Amps	10vA	0.25 Amps	150 mOhms initial

### WIRING SCHEMATIC



### DIMENSIONS - IN [mm]



### INSTALLATION INSTRUCTIONS

- Mark location for the switch on the door frame and mark the location for the magnet on the door.
- Make sure switch and magnet hole locations are aligned.
- Drill holes for the switch and magnet using a 3/4" Hole Saw for steel doors or a Forstner bit for wood doors.
- Press the magnet into the hole in the door until seated firmly against the head. Silicone may be used to secure the magnet in wood doors.
- Connect the switch terminals to the alarm circuit conductors. Insert wire leads into hole followed by the switch and press the switch into the hole until the head is flush with the door frame.
- Test switch for correct operation and make sure gap performance is acceptable.

## PART NUMBERING SYSTEM

