

Step 1

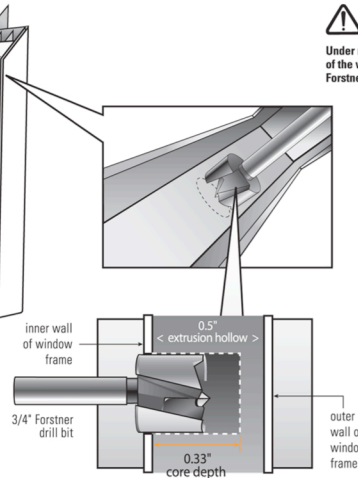
Measure and Drill

Using a 3/4" Forstner drill bit, drill into the vinyl window mainframe.

NOTE: Side mount transmitter on Vinyl Sliders

Horizontal Sliding Sash

Measure 3" down from the inside top corner of the mainframe and mark the center point for the hole to be drilled where the MICRA transmitter will be inserted. Place a corresponding mark also on the sash where the magnet will be placed.



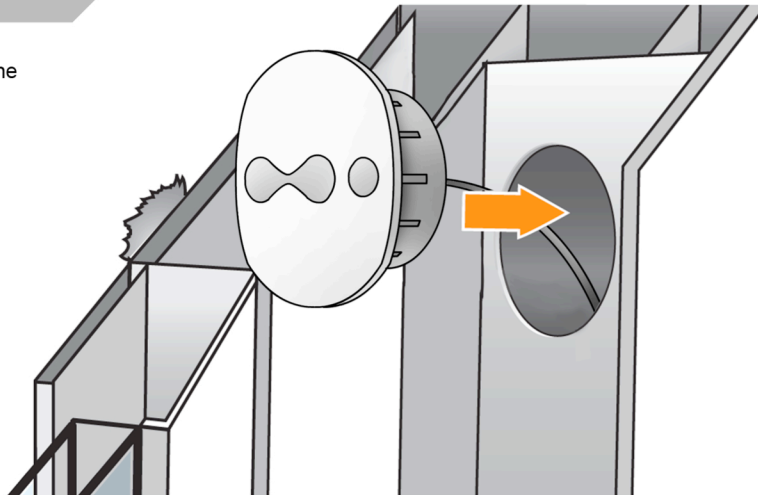
WARNING:

Under no circumstances should the outer wall of the window frame be penetrated by the Forstner bit.

Step 2

Place and Set

Insert the MICRA's antenna into the extrusion hollow then press the transmitter body into the cored opening.

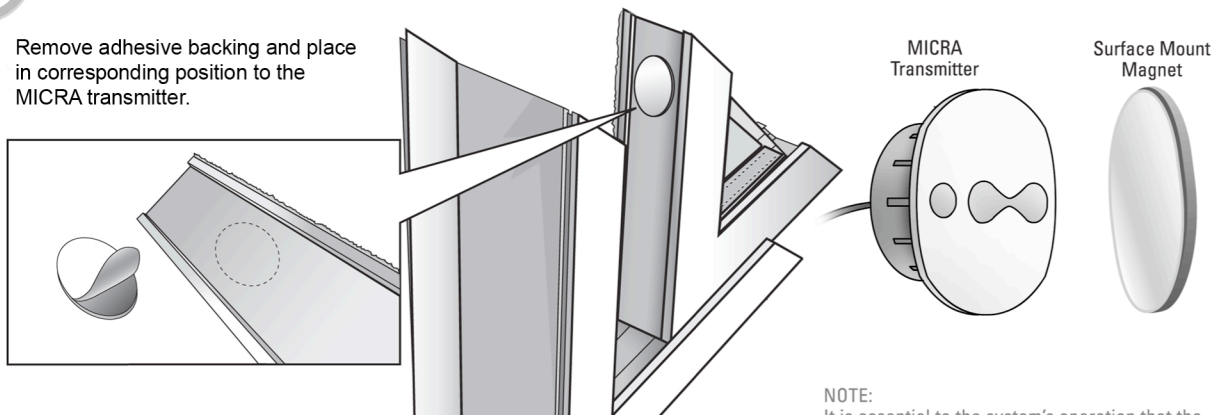


**It is important to always keep the antenna straight. Never cut or coil up antenna. You may fold the antenna in half if space is a concern. This may affect range.*

Step 3

Sash Magnet Placement

Remove adhesive backing and place in corresponding position to the MICRA transmitter.



NOTE:

It is essential to the system's operation that the positioning of the MICRA transmitter point in the same direction as its corresponding magnet.

ION Security Products™

MICRA™

Project Name

Spec. Type

Notes

Wireless Window Security Sensors

Fully Concealed

Residential & Commercial Applications

Product Overview

Scan QR code for installation video!



Long-life Battery - 5+ years (average rating)

Easy to install - Required tools: a drill, a 3/4 inch wood bit

Aesthetic - Fully concealed wireless sensor for wood, vinyl, or aluminum clad windows

Simple to Specify - Compatible with current DSC, GE, HAI and 2GIG wireless receivers

Composition - Micro-processor, Micro-transmitter, Lithium Battery, Optimized Antenna for superior zone signal

Sensor Specifications

Dimensions

Dowel Package

0.33 inch deep by 0.75 inch diameter

Power Source

3.0V Lithium Coin Cell Battery (CR1620)

Cavity Depth Fit

0.33 inch depth

Transmit Range

Typically >500 ft, open air

System Compatibilities

Sensors are compatible with current DSC, GE, HAI and 2GIG wireless receivers. Please be sure to specify which system you require.

Visual Characteristics

DSC - Black

7 inch x 1/8" Flexible Antenna extends from sensor

GE - Blue

7 inch x 1/8" Flexible Antenna extends from sensor

HAI - Green

7 inch x 1/8" Flexible Antenna extends from sensor

2GIG - Blue | White Antenna

7 inch x 1/8" Flexible Antenna extends from sensor

Environmental Conditions

Ambient temperature 10° - 120°F (-12 - 49°C).

Replacement

Sensor and/or Battery are field-replaceable.

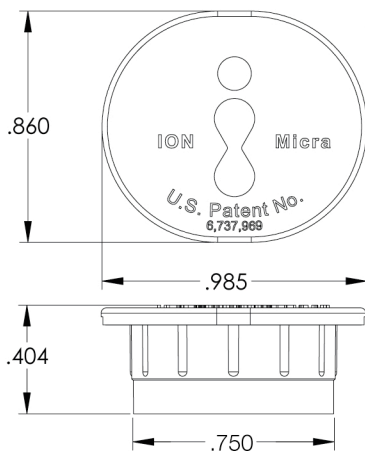
Patents

US Patents #6,737,969 and #7,081,816

Multiple Domestic and International Patents Pending.

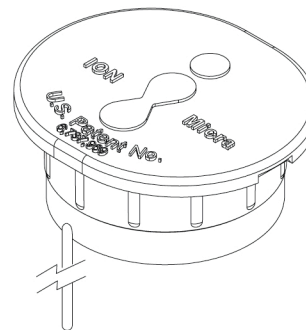
Due to continuing product improvements, ION DIGITAL reserves the right to change specifications without notice.

Dimensions

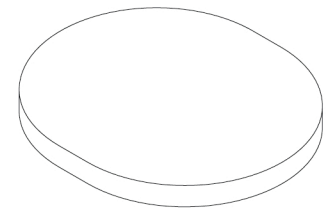


NOTE: The sensor dowel lid has a 0.850" diameter x 0.030" thick.

How it works



The window sash sensor triggers an alarm whenever the contact between it and its corresponding surface mount magnet is severed.



Surface Mount Magnet