

# MultiSync ME Series Large Format Installation Guide

[Ver.1.1]

**Contents:**

Product Description and Notes \_\_\_\_\_ Page 1  
 Rotation \_\_\_\_\_ Page 1  
 Ventilation Recommendations \_\_\_\_\_ Page 2  
 Display Dimensions \_\_\_\_\_ Pages 3-10  
 Optional Stand Dimensions \_\_\_\_\_ Page 11-12  
 Optional Wall Mount Dimensions \_\_\_\_\_ Page 13  
 Optional Speaker Dimensions \_\_\_\_\_ Page 14  
 Intel® Smart Display Module Integration \_\_\_\_\_ Page 15  
 Compute Module Integration \_\_\_\_\_ Page 16  
 Input Panel \_\_\_\_\_ Page 17  
 ASCII Commands \_\_\_\_\_ Page 18  
 PD Comms Tool \_\_\_\_\_ Page 18  
 Cable Connection \_\_\_\_\_ Page 19  
 Browser Control \_\_\_\_\_ Page 19



**Product Description:**

Type: LCD Display  
 Resolution: 3840 x 2160  
 Aspect Ratio: 16:9  
 EMI: Class B

|              | <b>Dimensions<br/>(without stand)</b>            | <b>Weight<br/>(without stand)</b> | <b>Power Consumption<br/>(Typical)<br/>(Max Brightness)<br/>(Absolute Max*)</b> | <b>BTU's<br/>(Typical)<br/>(Max Brightness)<br/>(Absolute Max*)</b> |
|--------------|--|-----------------------------------|---|---|
| <b>ME431</b> | 38.3 x 22.1 x 2.5 in.<br>973.0 x 561.2 x 62.6mm  | 13.9kg / 30.6lbs.                 | 80W<br>95W<br>175W  | 272.99 BTU/hr<br>324.18 BTU/hr<br>597.17 BTU/hr                     |
| <b>ME501</b> | 44.4 x 25.6 x 2.5 in.<br>1128.4 x 649.0 x 62.6mm | 17.3kg / 38.1lbs.                 | 85W<br>100W<br>210W   | 290.06 BTU/hr<br>341.24 BTU/hr<br>716.61 BTU/hr                     |
| <b>ME551</b> | 48.9 x 28.1 x 2.5 in.<br>1241.8 x 712.6 x 62.6mm | 19.8kg / 43.7lbs.                 | 120W<br>155W<br>265W  | 409.49 BTU/hr<br>528.92 BTU/hr<br>904.29 BTU/hr                     |
| <b>ME651</b> | 57.6 x 33.0 x 2.7 in.<br>1462.3 x 837.3 x 68.1mm | 29.4kg / 64.8lbs.                 | 165W<br>215W<br>320W  | 563.05 BTU/hr<br>733.67 BTU/hr<br>1091.97 BTU/hr                    |

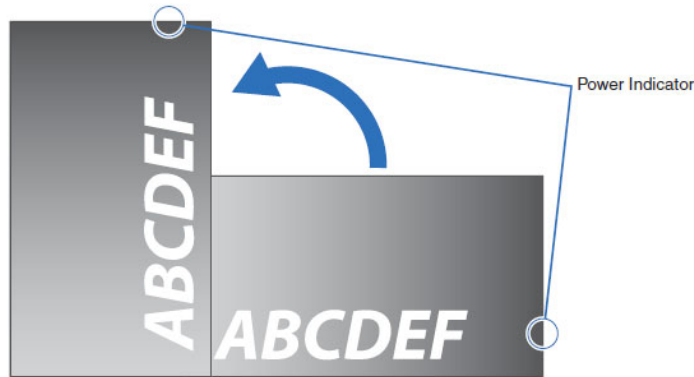
\*Absolute Max refers to when the display is at full brightness with all slots active and volume at 100.

**NOTES:**

- This document is intended to be used as a reference guide to supply useful information for a design or installation. It is not intended to be a step-by step procedure for installation.
- Any ceilings or walls must be strong enough to support the monitor and the installation must be in accordance with any local building codes. All mounts should make secure contact to wood studs.
- Distances are in inches, for millimeters multiply by 25.4. Distances may vary ±5%.

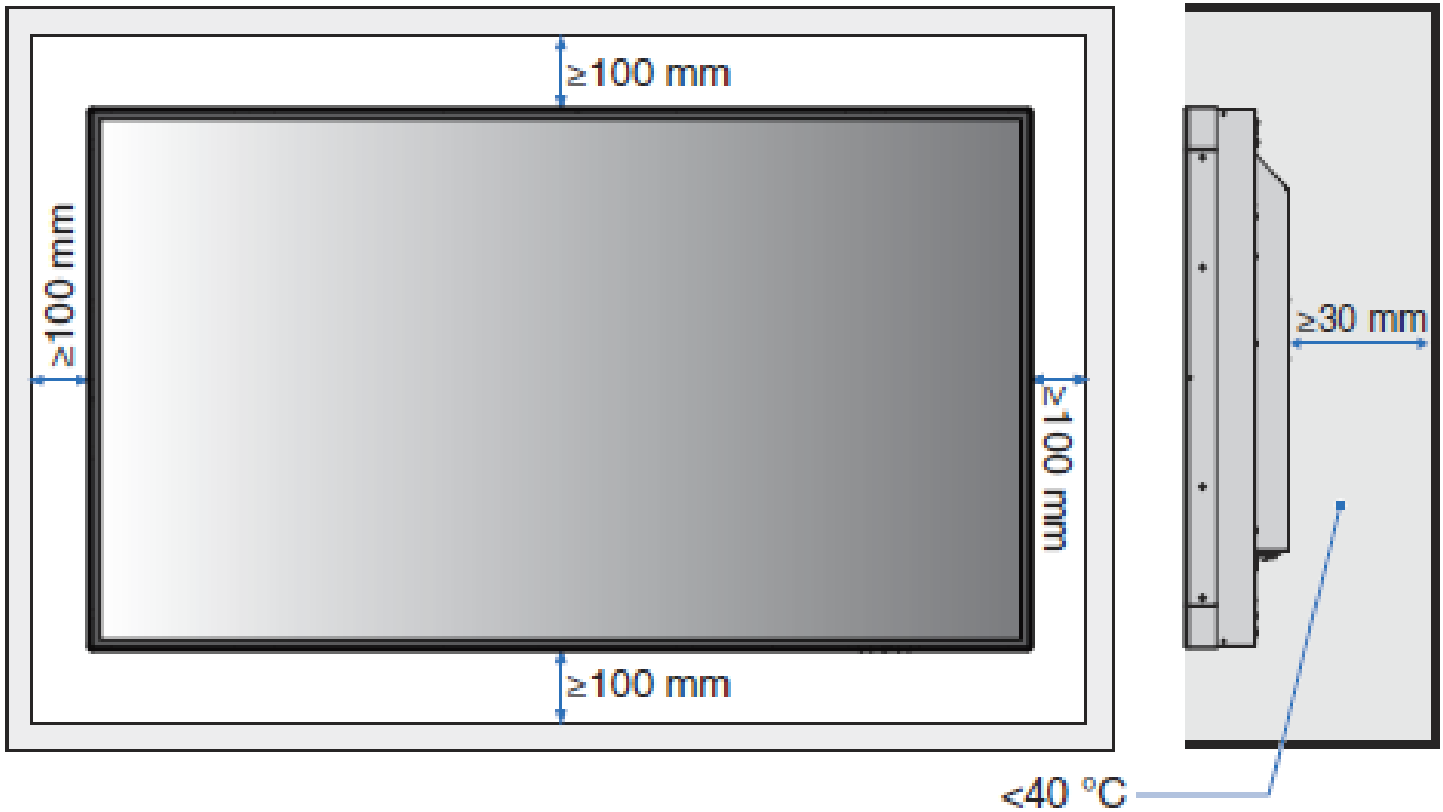
### Rotation:

- If display is to be used in portrait orientation, rotation needs to be **counterclockwise**.



### Ventilation Recommendations:

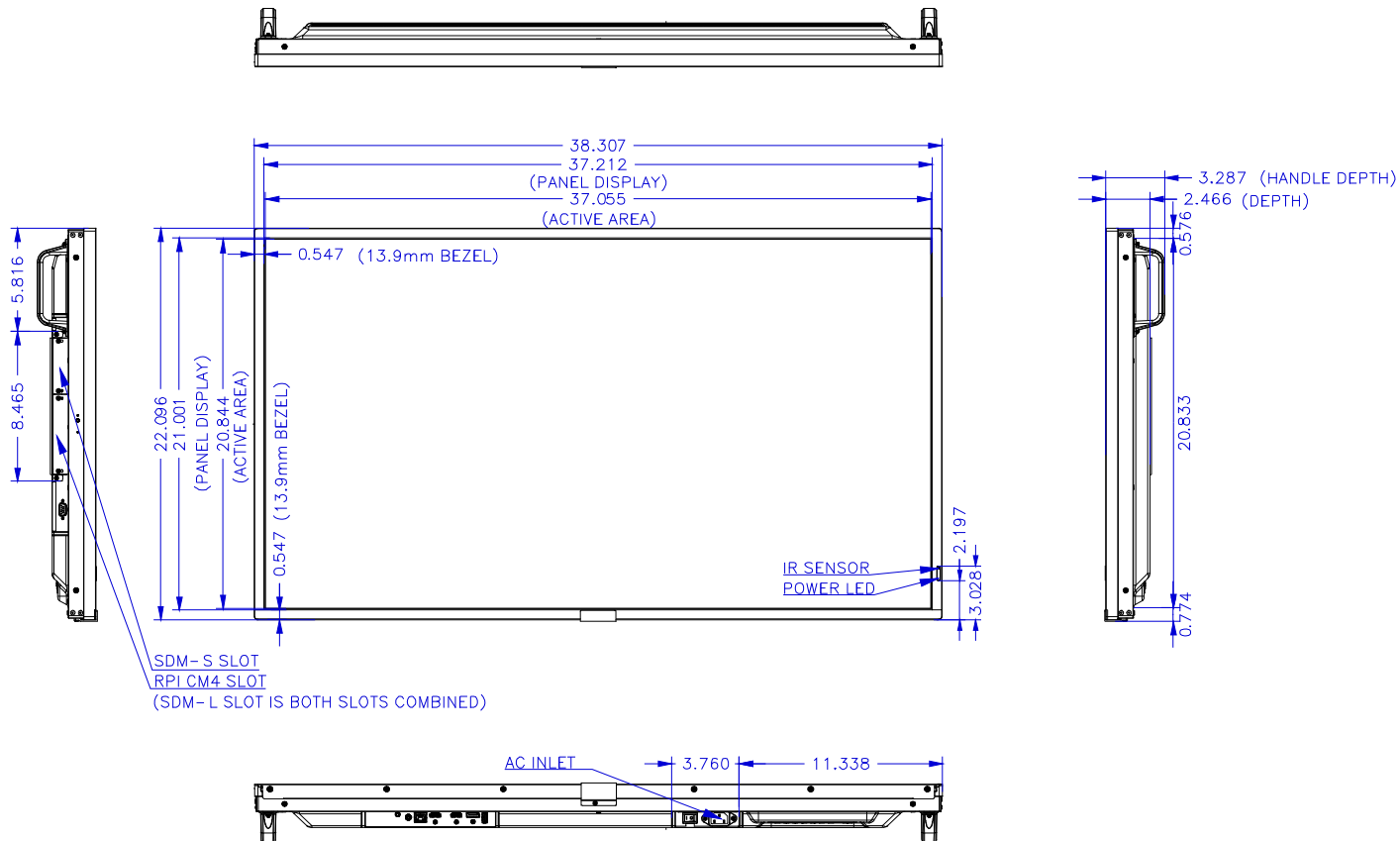
Dimensions below are minimum recommended for proper ventilation.



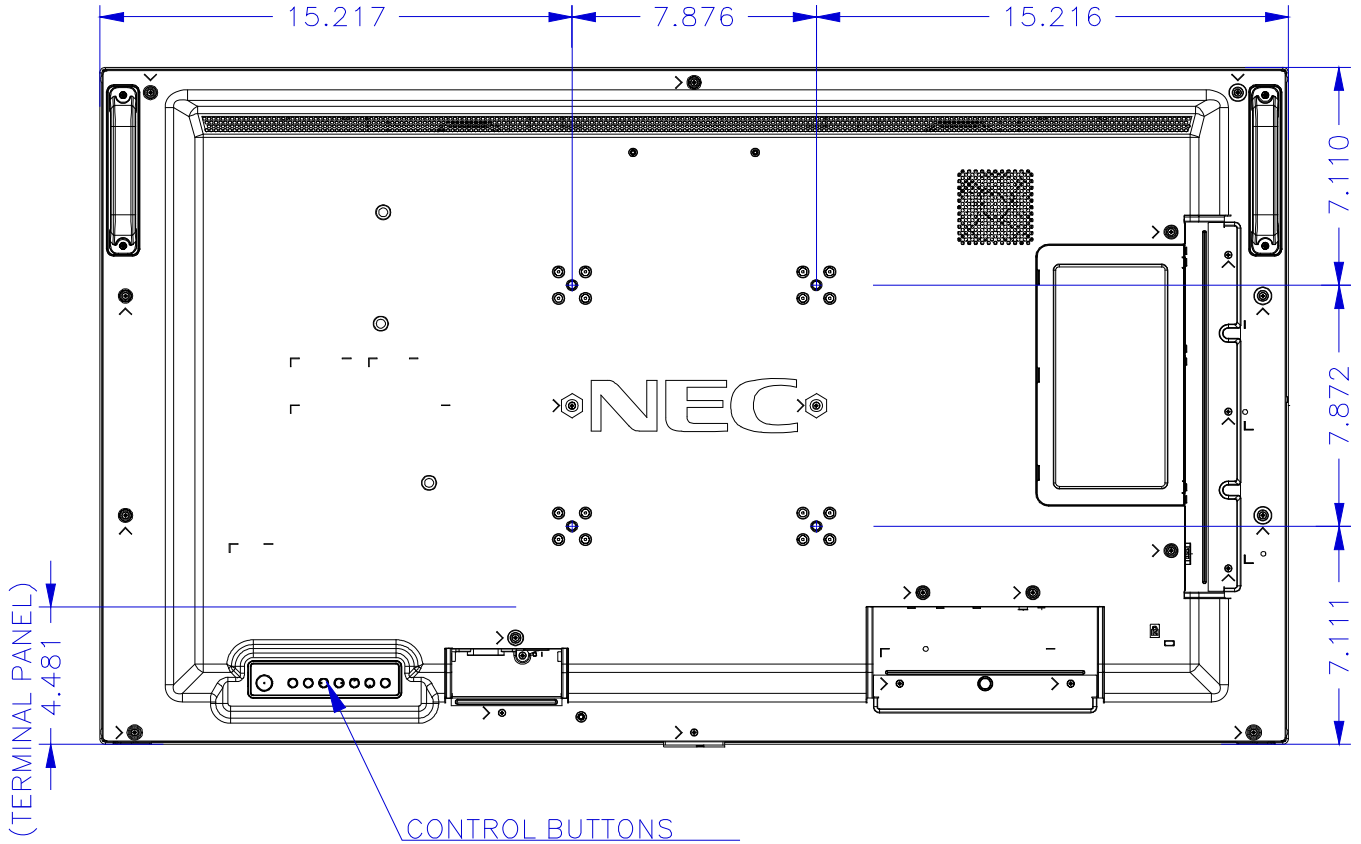
### NOTE:

- The above are recommendations in order to keep your display as cool as possible. If the distances are less than the 100mm, extra ventilation may be necessary. The ventilation space should not be covered or closed off at the front of the opening. If for some reason the opening needs to be covered, other means of ventilation will need to be incorporated into the design. Contact NEC for design review and recommendations.

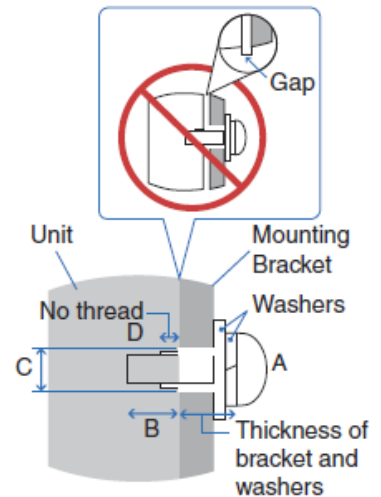
## Display Dimensions – ME431:



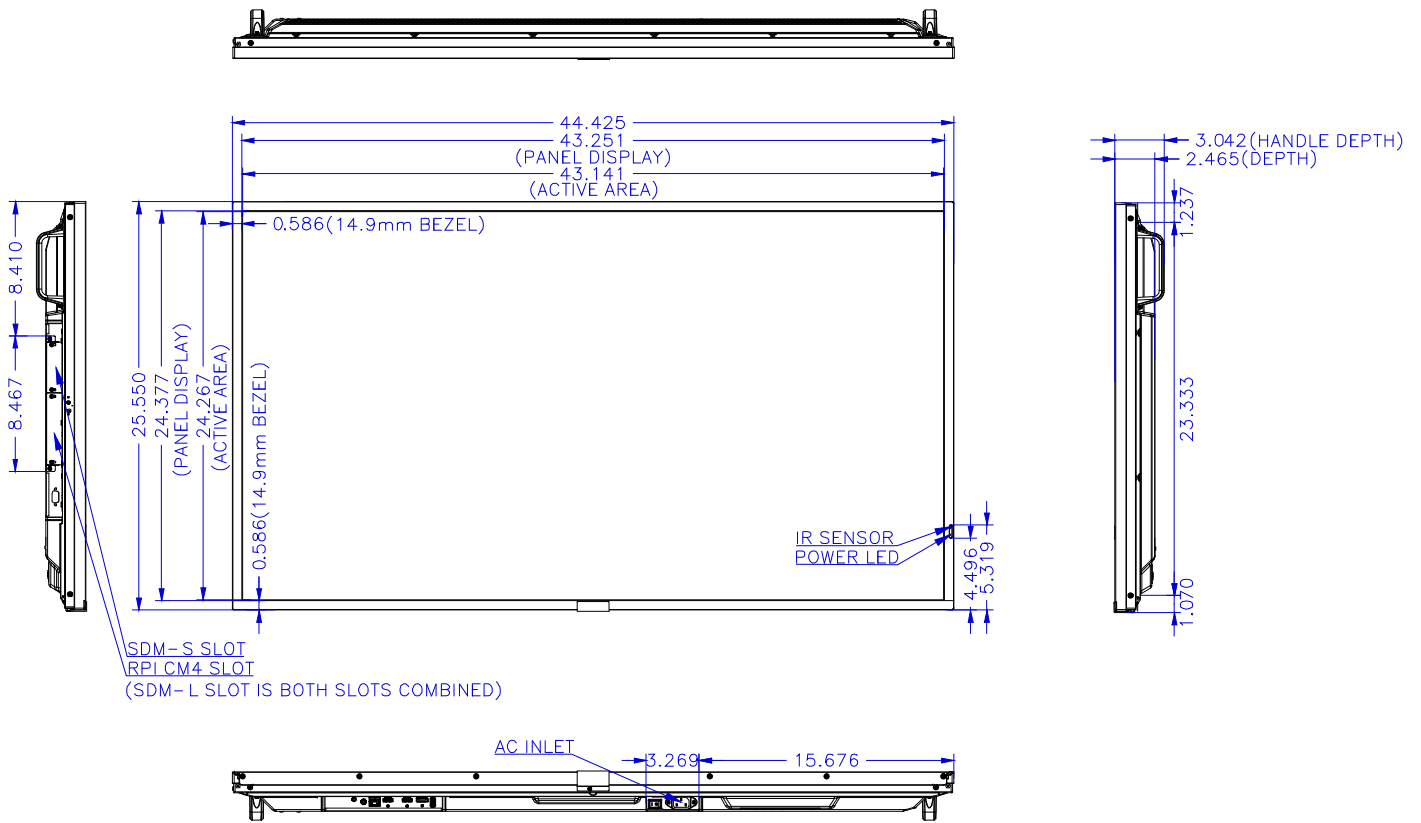
Display Dimensions – ME431 cont'd:



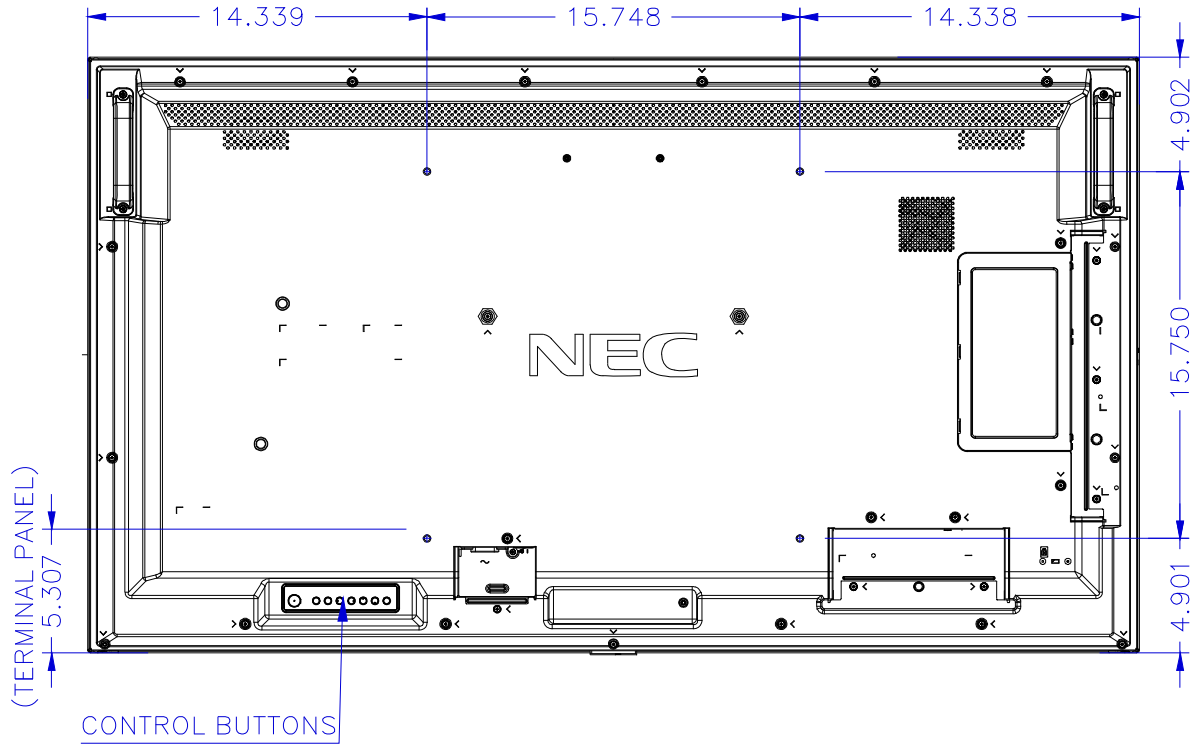
NEC strongly recommends using size M6 screws (10-12mm + the thickness of the bracket and washers in length).



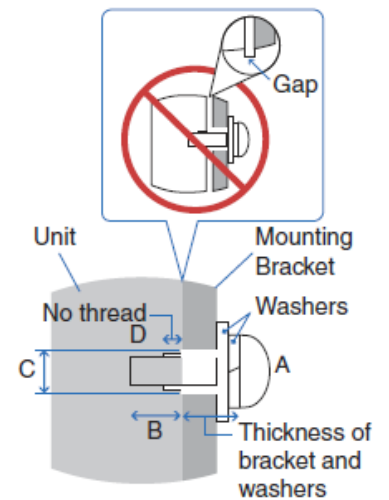
## Display Dimensions – ME501:



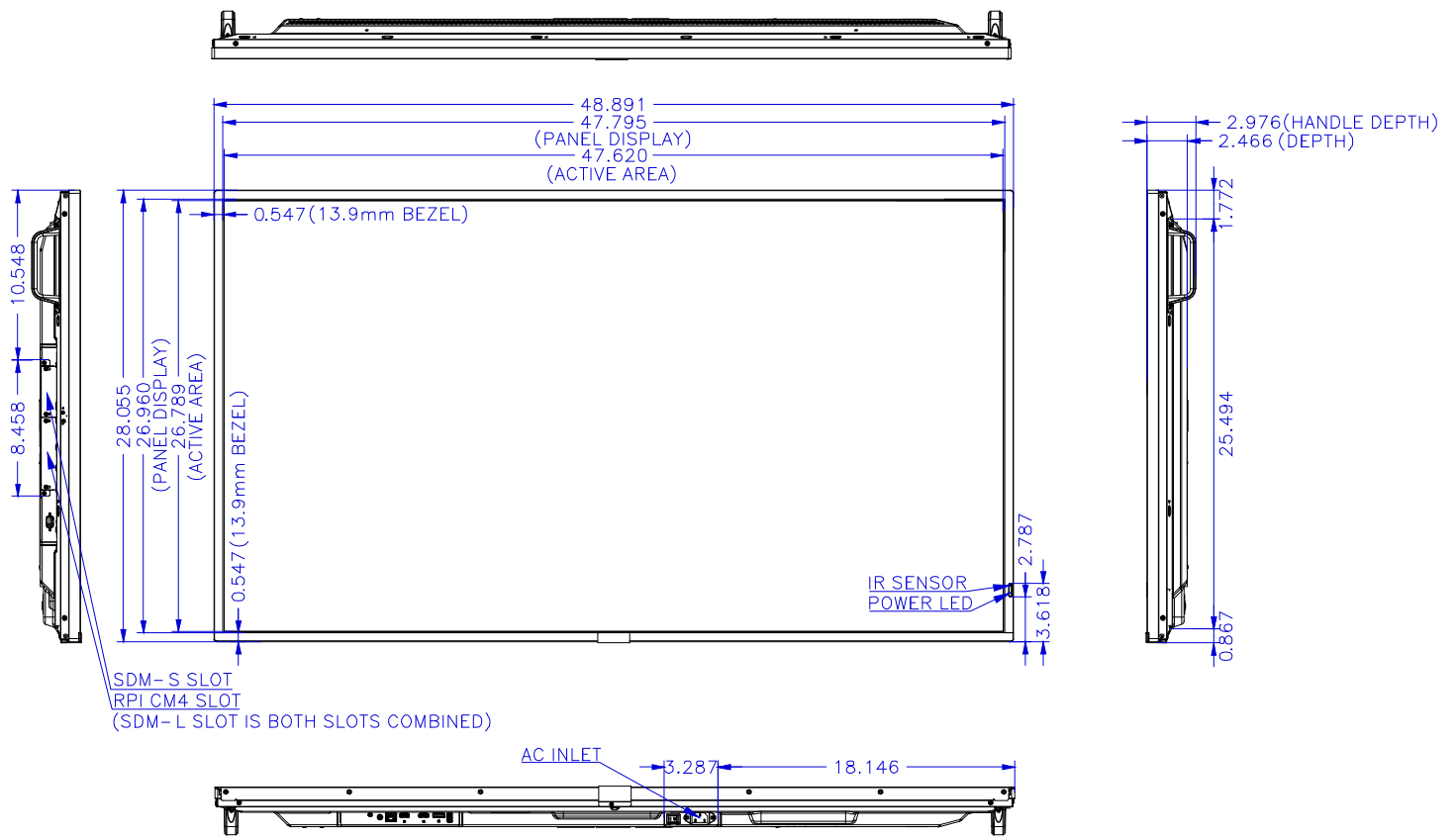
Display Dimensions – ME501 cont'd:



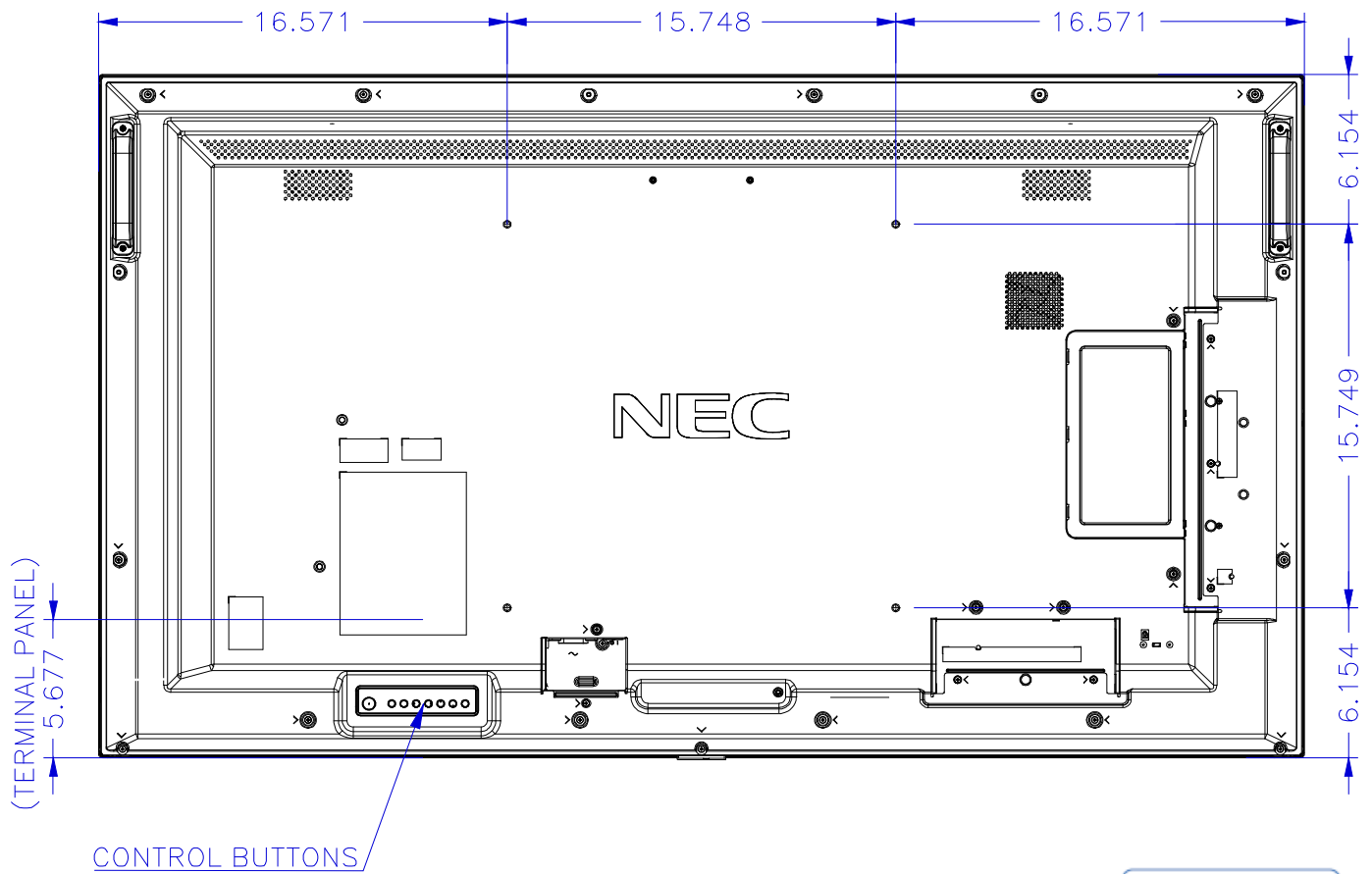
NEC strongly recommends using size M6 screws (10-12mm + the thickness of the bracket and washers in length).



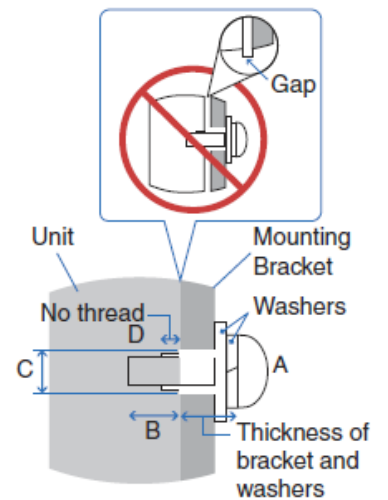
## Display Dimensions – ME551:



Display Dimensions – ME551 cont'd:

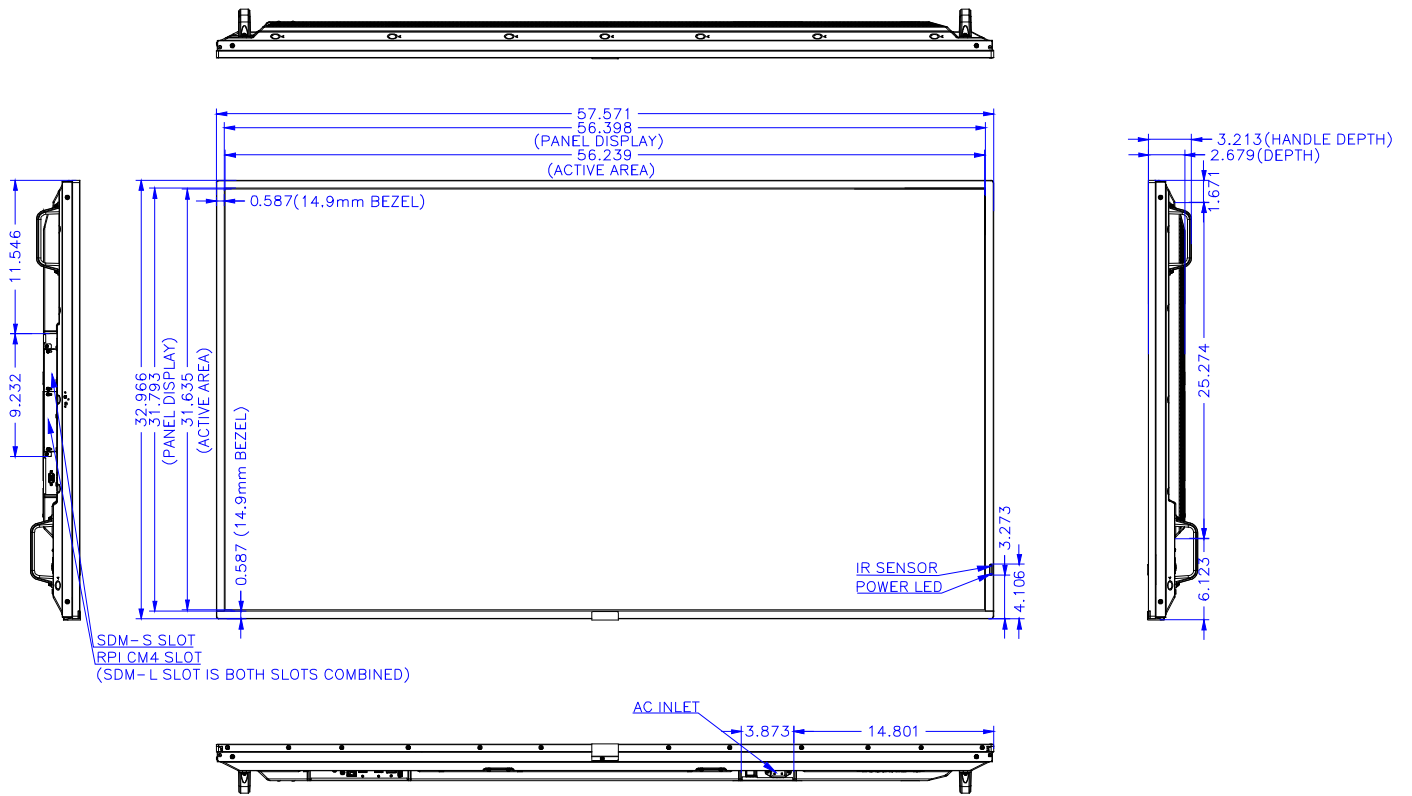


NEC strongly recommends using size M6 screws (10-12mm + the thickness of the bracket and washers in length).

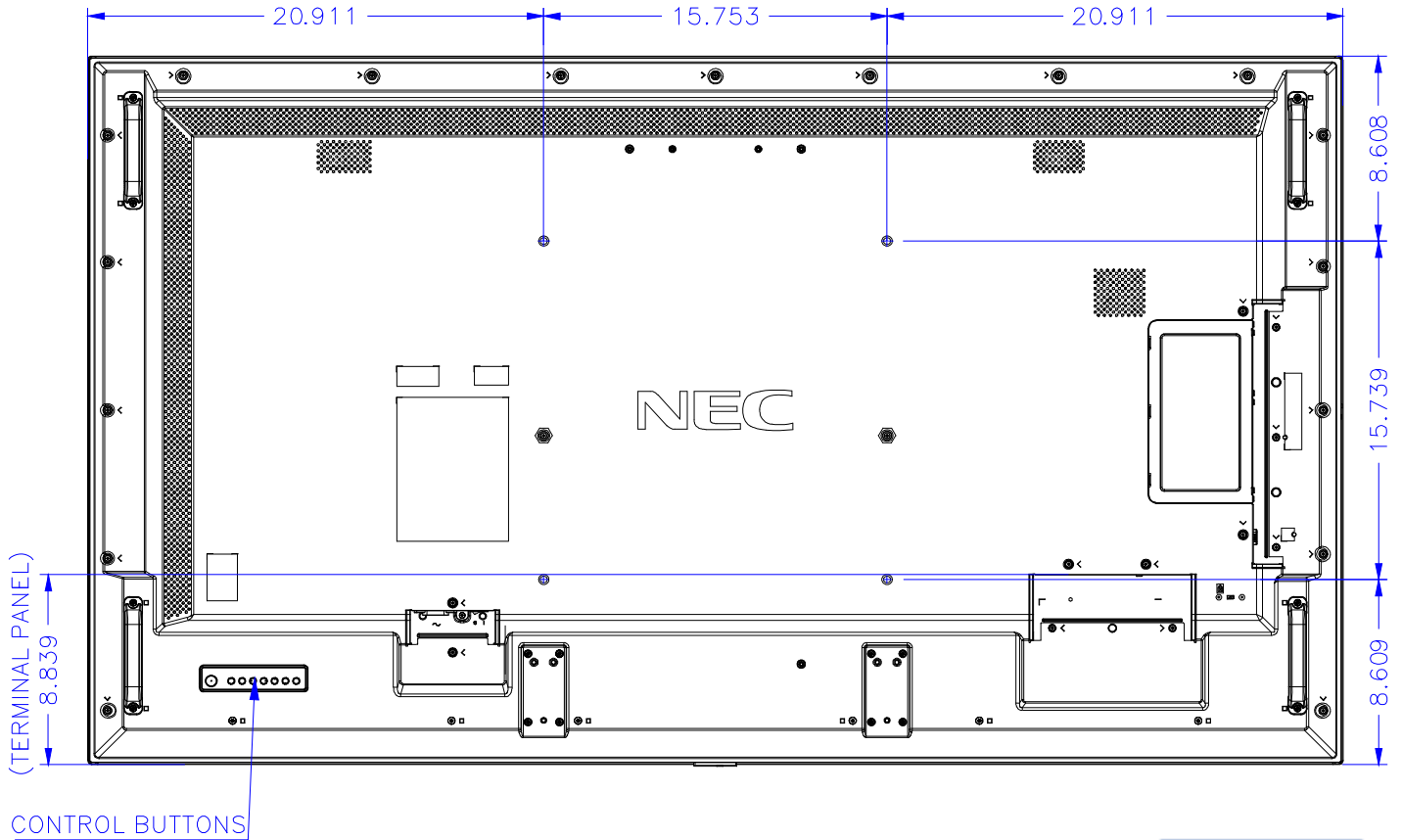




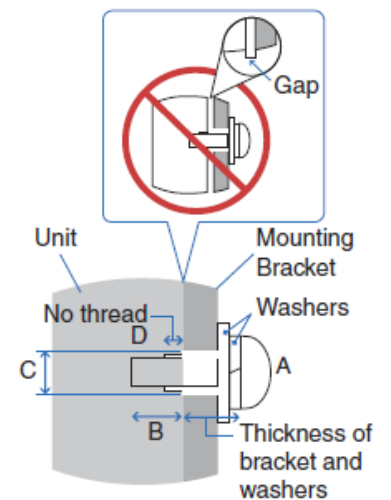
## Display Dimensions – ME651:



Display Dimensions – ME651 cont'd:



NEC strongly recommends using size M8 screws (16-18mm + the thickness of the bracket and washers in length).

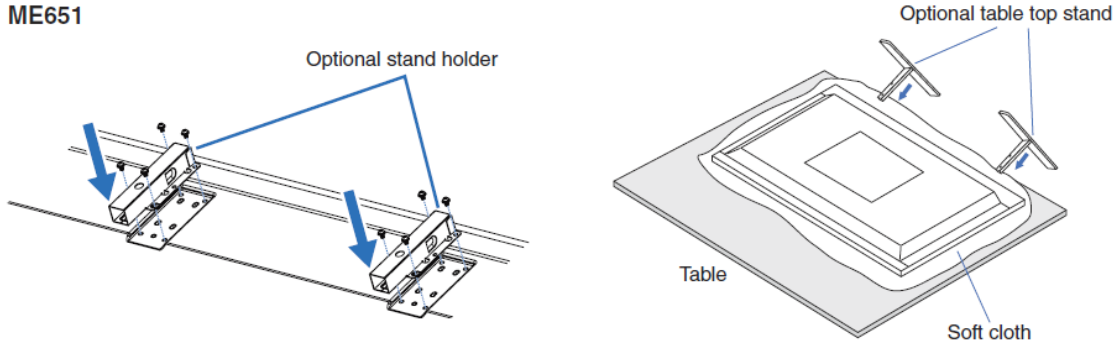


## Installing and Removing the Optional Table Top Stand

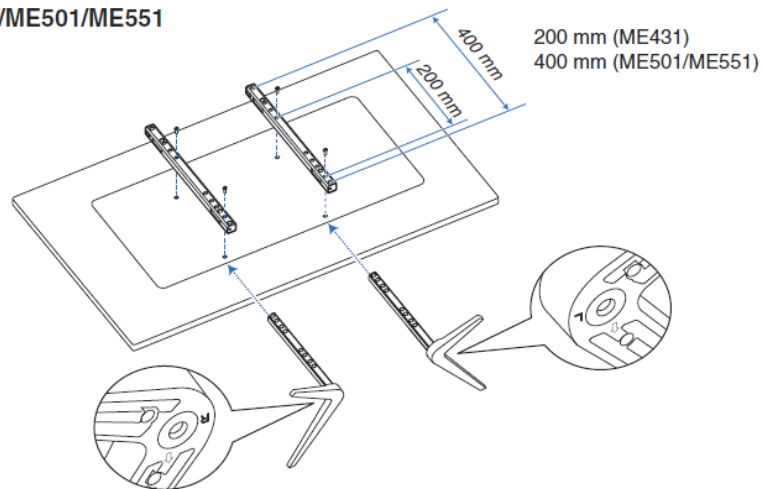
- The ME431, M501 and M551 use the ST-401 or ST-43M. The ME651 utilizes the ST-65M
- Only use the screws that are included with the optional stand. The ST-65M will need included stand holders to also be attached

|                |  |
|----------------|--|
| ME431          | ST-43M (screws are included)                                 |
| ME501<br>ME551 | ST-401 or ST-43M (screws are included)                       |
| ME651          | ST-65M (thumbscrews, screws, and stand holders are included) |

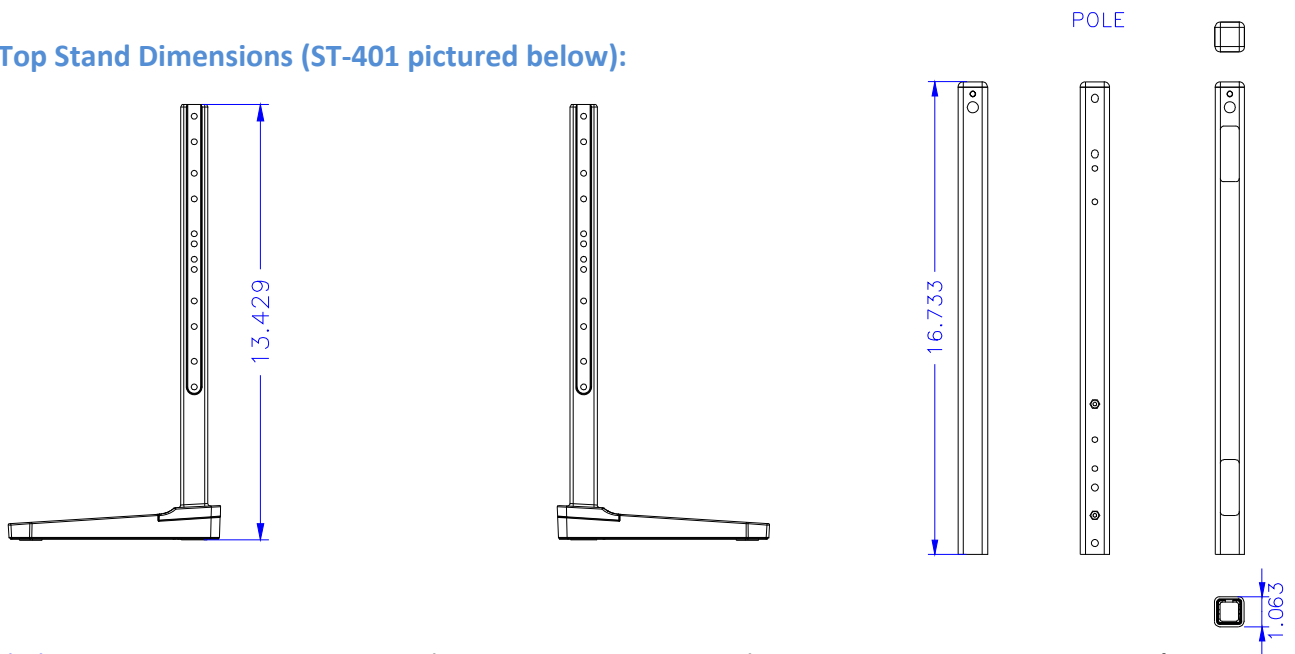
### ME651



### ME431/ME501/ME551

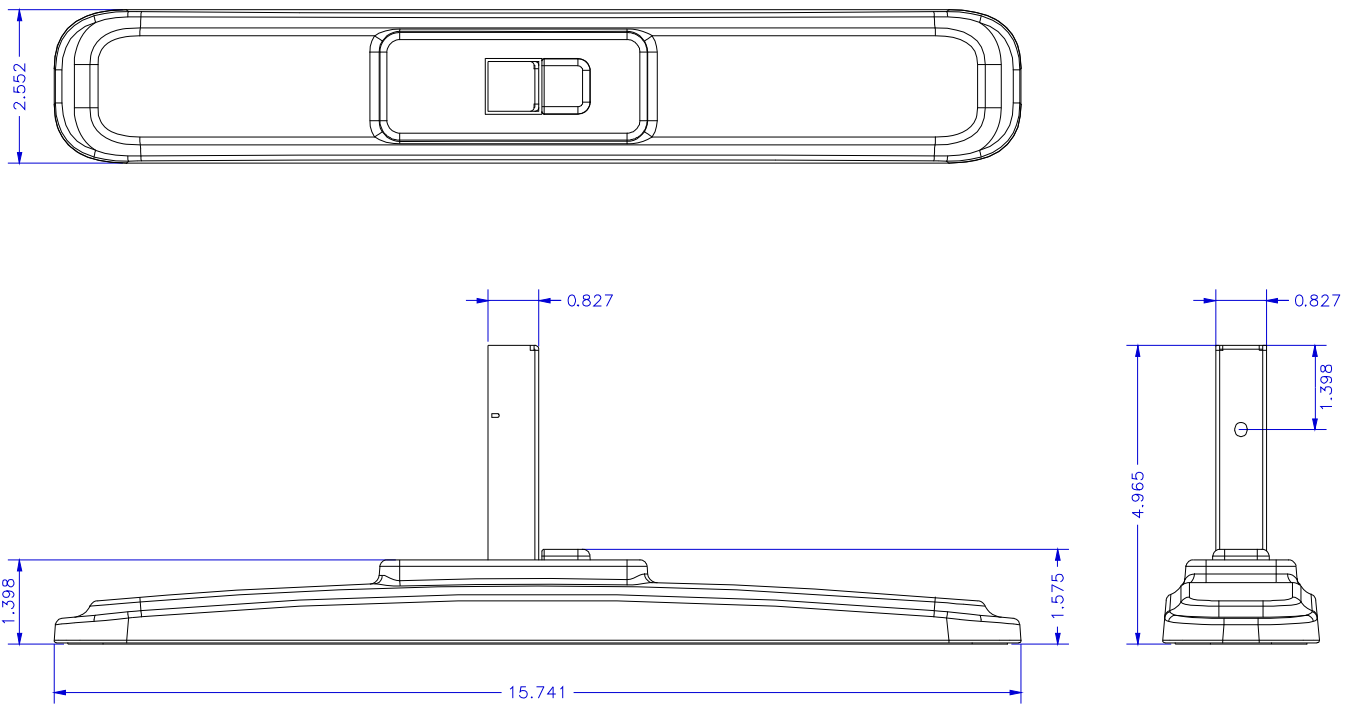


## Table Top Stand Dimensions (ST-401 pictured below):

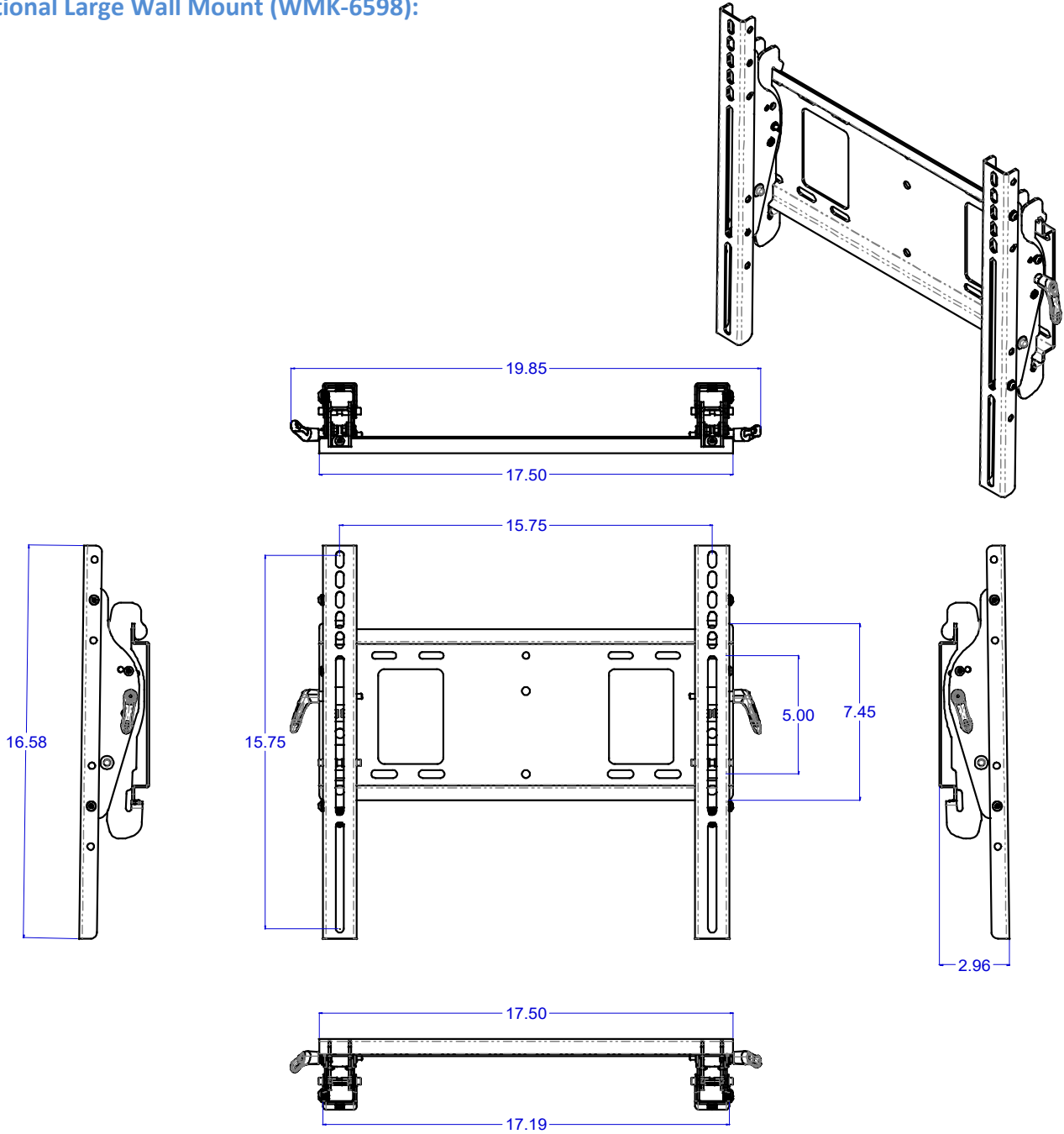


## Table Top Stand Dimensions (ST-65M):

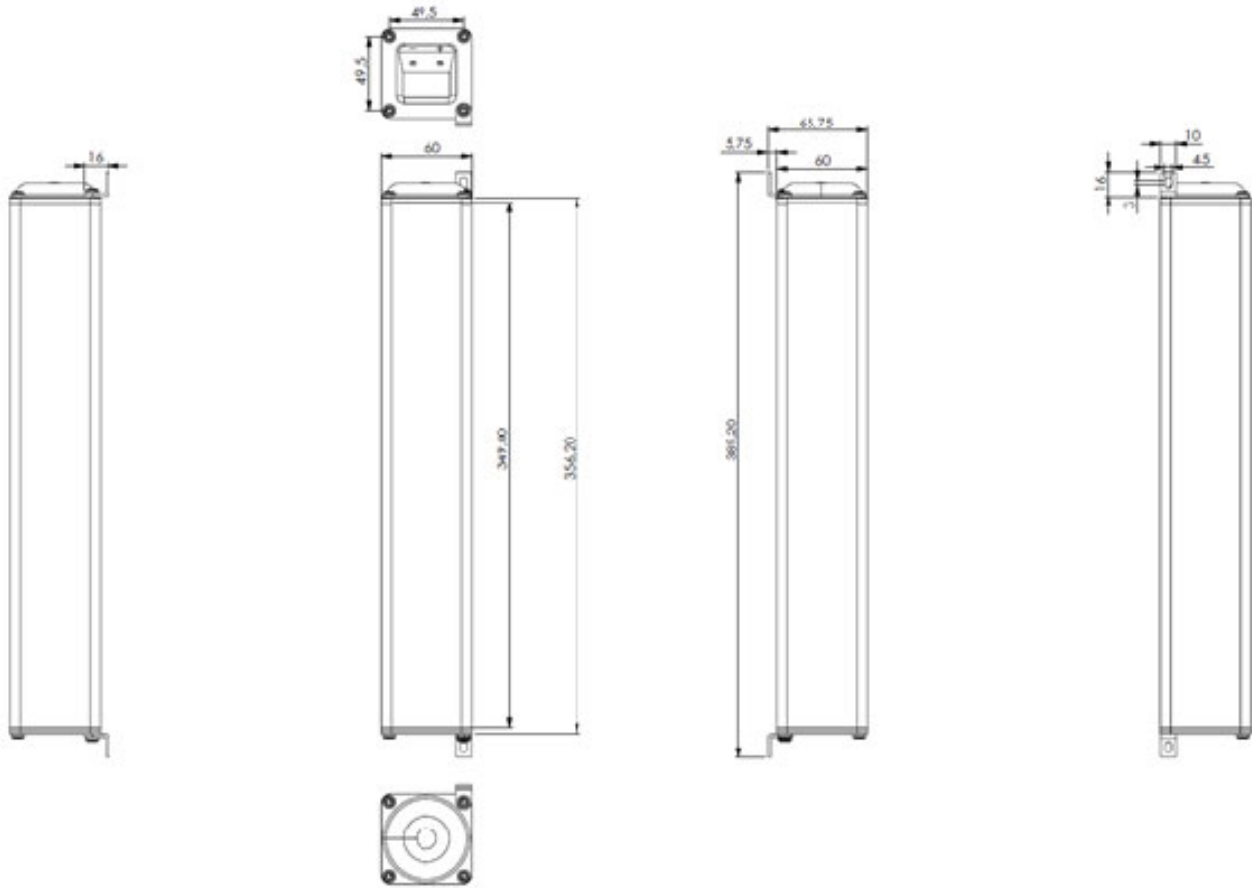
Note – stand holder is included when stand is purchased but is not included in drawing below



## Optional Large Wall Mount (WMK-6598):

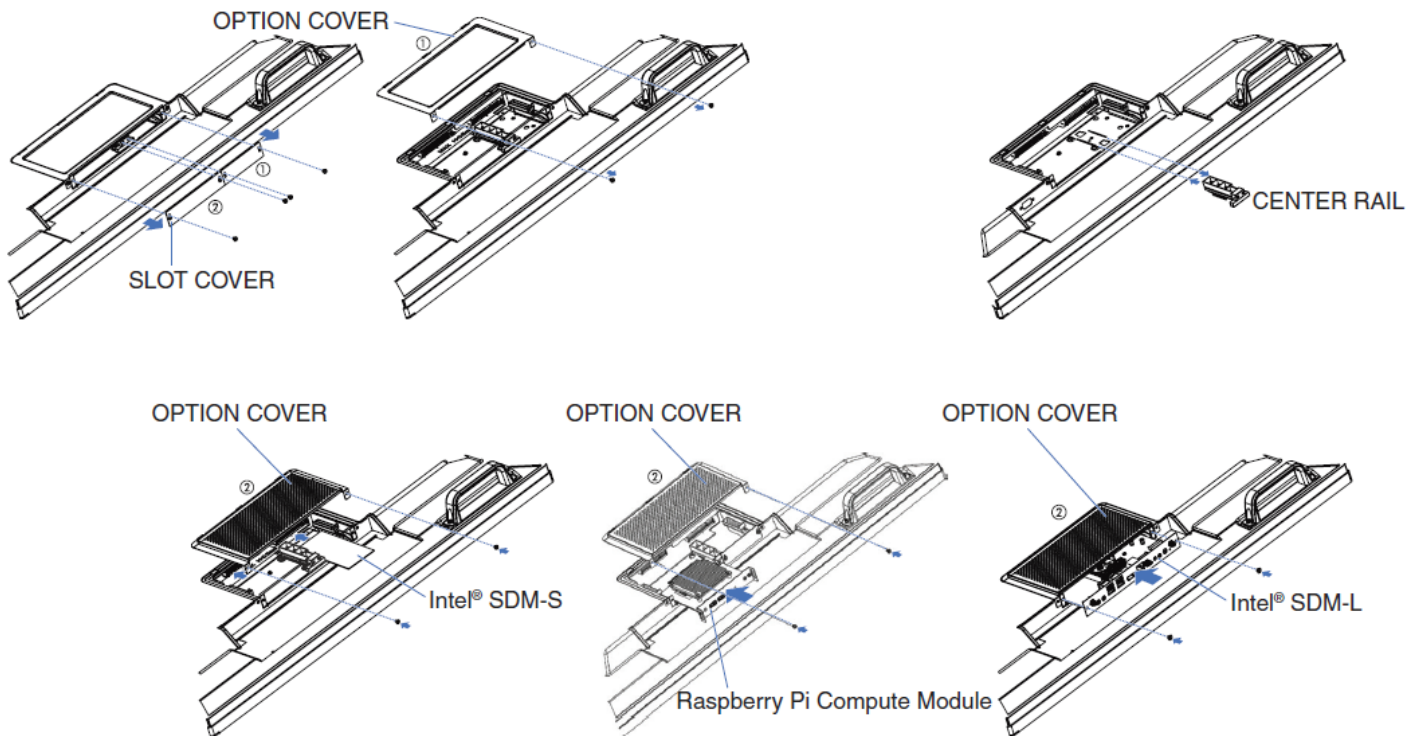


## Optional Speaker Dimensions (SP-RM3a):



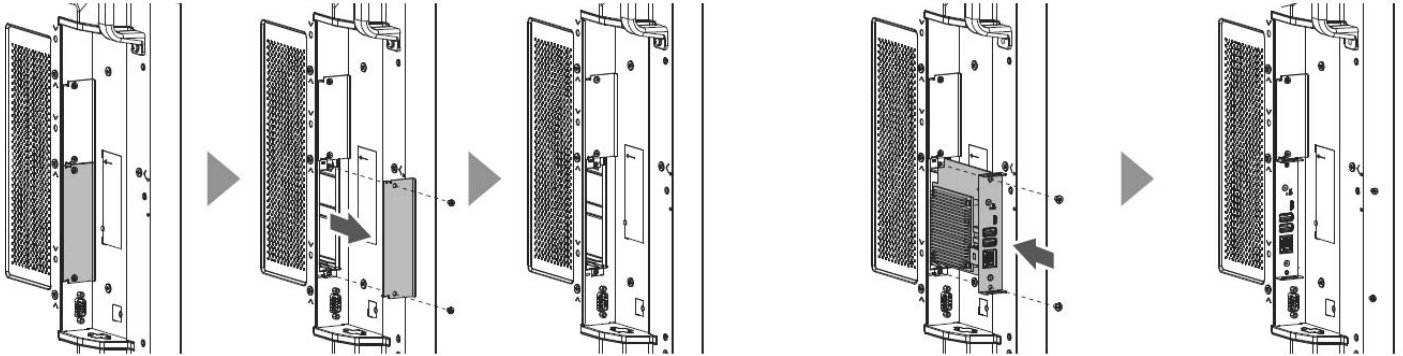
## Intel® Smart Display Module Integration:

1. Place the monitor face down on a flat even surface that is larger than the monitor screen. Use a sturdy table that can easily support the weight of the monitor. To avoid scratching the LCD panel, always place a soft cloth, such as a blanket that is larger than the monitor's screen area, on the table before laying the monitor face down. Make sure there is nothing on the table that can damage the monitor.
2. Remove the SLOT COVER and the OPTION COVER. Note when using Intel® SDM-L type option board, slide the CENTER RAIL to the right and remove. Reverse the process to re-attach
3. Gently push in SDM-S or SDM-L module
4. Attach included Option Cover after installation of SDM device



### Compute Module Integration:

- Please see separate DS1-IF20CE installation guide for full integration. Image below may not represent actual back of unit but the concept is the same.
- Removing the OPTION COVER is necessary for installation



Final installed DS-IF20CE with RPI CM4 below





**Input Panel:**  
**Bottom**



**Side (Rotated)**



## ASCII Common Commands:

- This monitor supports common ASCII control commands with many other NEC projectors. For more information on this, please see our website.

### Parameter

#### Input command

| Input signal name | Response     | Parameter                   |
|-------------------|--------------|-----------------------------|
| DisplayPort1      | DisplayPort1 | DisplayPort1 or DisplayPort |
| DisplayPort2      | DisplayPort2 | DisplayPort2                |
| HDMI1             | hdmi1        | hdmi1 or hdmi               |
| HDMI2             | hdmi2        | hdmi2                       |
| HDMI3             | hdmi3        | hdmi3                       |
| MP                | mp           | mp                          |
| OPTION            | option       | option                      |

#### Status command

| Response     | Error status                   |
|--------------|--------------------------------|
| error:temp   | Temperature abnormal           |
| error:fan    | Cooling fan abnormal           |
| error:light  | Inverter or backlight abnormal |
| error:system | System error                   |

## PD Comms Tool

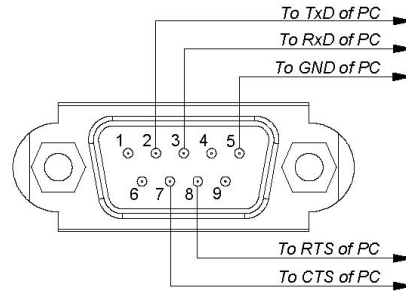
- Please download PD Comms Tool and open the Communications Log by going to View → Communications Log. From here you can find any external control code necessary for your installation
- PD Comms Tool can be downloaded from here: <https://www.sharpnecdisplays.us/faqs/pdcommstool/179>

The screenshot shows the NEC PD Comms Tool interface. On the left is a 'Function List' with categories like Controls, Status, Commands, and Advanced. The main area displays 'Power State' with 'On' and 'Off' buttons and a 'Power On Delay' of 0 seconds. A 'Communications Send/Receive Log' window is open, showing a log entry for a Power Control command. The log text includes: 'Connecting to TCP/IP address: 192.168.0.16, Port: 7142', 'Power Control command Mode=1', and hex data for the sent and received messages. Below the hex data are two tables summarizing the message structure. The first table is for the sent message (Mode=1) and the second is for the received message (Mode=1). Both tables have columns: SOH, Reserved, Destination Address, Source Address, Message Type, Message Length, STX, Data (Message payload), ETX, Check code, and Delimiter. The log also shows the result of the command: 'Power Control command reply Result Code=0'.

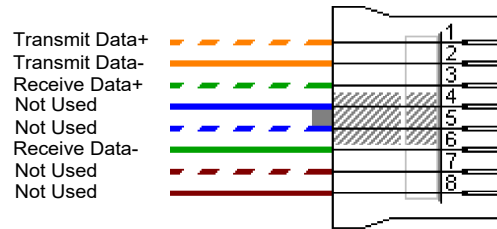
## Cable Connection

### Communication Protocol:

Interface: RS-232C  
 Communication System: Asynchronous  
 Baud Rate: 9600 bps  
 Data Length: 8 bits  
 Parity: None  
 Stop Bit: 1 bit  
 Communication Code: ASCII



Interface: Ethernet (CSMA/CD)  
 Communication System: TCP/IP (Internet Protocol Suite)  
 Communication Layer: Transport layer (TCP)  
 IP Address: 192.168.0.10 (default out of box)  
 Port Number: 7142 (Fixed)



## Browser Control:

Information and control can also be available through the HTTP browser control menu. In order to accomplish this, type: **http://<the Monitor's IP address>/pd\_index.html**  
 Note that the LAN Power needs to be turned on in order for the display to be controlled while the units are off. All displays are set to the IP address 192.168.0.10 out of the box unless changed through the initial setup guide. Communicating network PC needs to be on the same subnet as display that is being communicated with.



HDMI1

- [HOME](#)
- [REMOTE CONTROL](#)
- [PICTURE ADJUST](#)
- [AUDIO](#)
- [SCHEDULE](#)
- [MULTI PICTURE CONTROL](#)
- [OSD](#)
- [MULTI DISPLAY](#)
- [DISPLAY PROTECTION](#)
- [EXTERNAL CONTROL](#)
- [ADVANCED OPTION1](#)
- [ADVANCED OPTION2](#)
- [NETWORK](#)
- [MAIL](#)
- [SNMP](#)
- [AMX](#)
- [CRESTRON](#)
- [NAME](#)
- [NETWORK PASSWORD](#)
- [PD LIST](#)
- [MEMO](#)
- [UPDATE FIRMWARE](#)
- [PORT](#)
- [UPDATE FIRMWARE\(ALL\)](#)

**HOME**

Welcome to the management and configuration web interface. You can use the navigation menus on the left to access additional pages.

| MONITOR INFORMATION |            |
|---------------------|------------|
| MODEL NAME          |            |
| SERIAL              | 45S00005TA |

| FIRMWARE VERSION |       |
|------------------|-------|
| FIRMWARE1        | 0.017 |
| FIRMWARE2        | 0.008 |
| FIRMWARE3        | 0.011 |
| FIRMWARE4        | 0.002 |

| ETHERNET        |                   |
|-----------------|-------------------|
| MAC ADDRESS     | 58:C2:32:33:00:03 |
| IPv4 ADDRESS    | 192.168.0.10      |
| SUBNET MASK     | 255.255.255.0     |
| DEFAULT GATEWAY | 0.0.0.0           |
| DNS PRIMARY     | 0.0.0.0           |
| DNS SECONDARY   | 0.0.0.0           |

**ID**

Copyright © NEC Display Solutions, Ltd. 2014. All rights reserved.