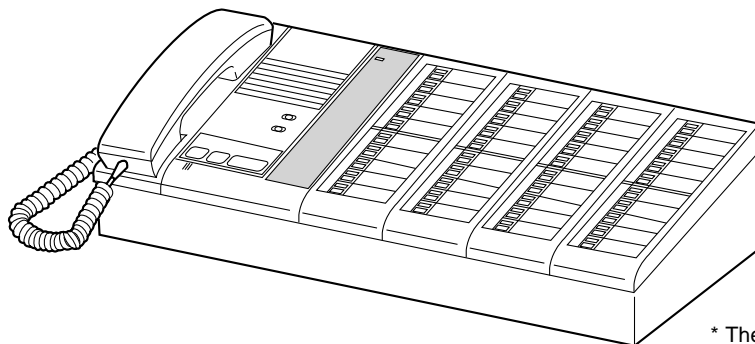


AIPHONE

NIM system

OPERATION MANUAL



* The illustration shows the master station, 40-call (NIM-40B).

Thank you for selecting Aiphone for your communication needs.

* Please make sure to read this manual for safe and correct use of the system, and keep it in a safe place for future reference.

Please note that images and illustrations depicted in this manual may differ from the actual product.

Contents

Introduction	3
Precautions.....	3
WARNING.....	3
CAUTION.....	3
GENERAL PRECAUTIONS	3
NOTICES	3

GETTING STARTED 4

System configuration	4
Part names	6
Master station.....	6
Sub station	7
Call button, wall jack	8
Corridor light, reset button	9
Software.....	10

USING THE SYSTEM (AT THE MASTER STATION) 11

Answering a call.....	11
When receiving a single call	11
When receiving multiple calls	12
Calling sub stations	13
Calling a single sub station	13
Paging.....	14
Adjusting volume	15
Adjusting receiving volume and ringtone volume.....	15

USING THE SYSTEM (AT A SUB STATION)..... 16

Answering a call.....	16
Calling the master station	16

APPENDIX..... 17

Technical precautions.....	17
Troubleshooting	17
Specifications.....	17
Warranty.....	Back cover

Introduction

- The NIM system is a communication system designed for applications in facilities such as hospitals, office buildings, factories, schools, and prisons. Various types of equipment enable you to configure a system that meets your needs for not only general purpose internal communications, but also for calling and communication in health care or various commercial applications. This system also allows you to check the call history by connecting a PC installed with the specified application software.
- The NIM system is telecommunication equipment, not to be used as Medical Equipment.

Precautions

⊘ Prohibited

⊘ Do not dismantle unit

⊘ Keep unit away from water

❗ Be sure to follow the instruction

⚠ WARNING

Negligence could result in death or serious injury.

- ⊘ 1. Do not dismantle or alter the unit. Fire or electric shock could result.
- ⊘ 2. Keep the unit away from water or any other liquid. Fire or electric shock could result.
- ⊘ 3. High voltage is present internally. Do not open the case. Electric shock could result.
- ❗ 4. For power supply, use Aiphone power supply model specified for use with system. If non-specified product is used, fire or malfunction could result.
- ⊘ 5. Do not connect any non-specified power source to the +, - terminals. Also, do not install two power supplies in parallel to a single input. Fire or damage to the unit could result.
- ⊘ 6. Do not connect any terminal on the unit to an AC power line. Fire or electric shock could result.
- ⊘ 7. Keep AC cord from being marred or crushed. If the AC cord is damaged, fire or electric shock could result.
- ⊘ 8. Do not plug or unplug unit with wet hands. Electric shock could result.
- ❗ 9. Periodically check for and remove dust on the power plug. If dust is left, it could cause the power plug to heat up, resulting in fire.
- ⊘ 10. Do not put any metal or flammable material into the unit through the openings. Fire, electric shock, or unit trouble could result.

⚠ CAUTION

Negligence could result in injury or damage to property.

- ⊘ 1. Do not put anything on the unit or cover the unit with cloth, etc. Fire or unit trouble could result.
- ⊘ 2. Do not install the unit in any of the following locations. Fire, electric shock, or unit trouble could result.
 - * Places under direct sunlight or places near heating equipment that varies in temperature.
 - * Places subject to dust, oil, chemicals, hydrogen sulfide (hot spring).
 - * Places subject to moisture and humidity extremes, such as bathrooms, cellars, greenhouses, etc.
 - * Places where the temperature is quite low, such as inside a refrigerated area or in front of an air conditioner.
 - * Places subject to steam or smoke (near heating or cooking surfaces).

- * Where noise generating devices such as dimmer switches or inverter electrical appliances are close by.
- * Locations subject to frequent vibration or impact.
- * Locations subject to extremely powerful electric fields.

GENERAL PRECAUTIONS

1. The unit is inoperative during power failure.
2. In areas where broadcasting station antennas are close by, this system may be affected by radio frequency interference.
3. Keep the intercom wires more than 30cm (12") away from AC 100-240V wiring. AC induced noise and/or unit malfunction could result.
4. Do not connect any devices other than the Aiphone Models covered in this Manual.
5. All the units, except for Sub station, flush mount (NI-JA), are designed for indoor use only. Do not use at outdoor locations.
6. Using a mobile phone or professional-use radio equipment such as walkie-talkie close to the system may cause a malfunction.
7. If there are loud noises around the unit (such as music playing or children crying), the sound may break up and be difficult to hear.

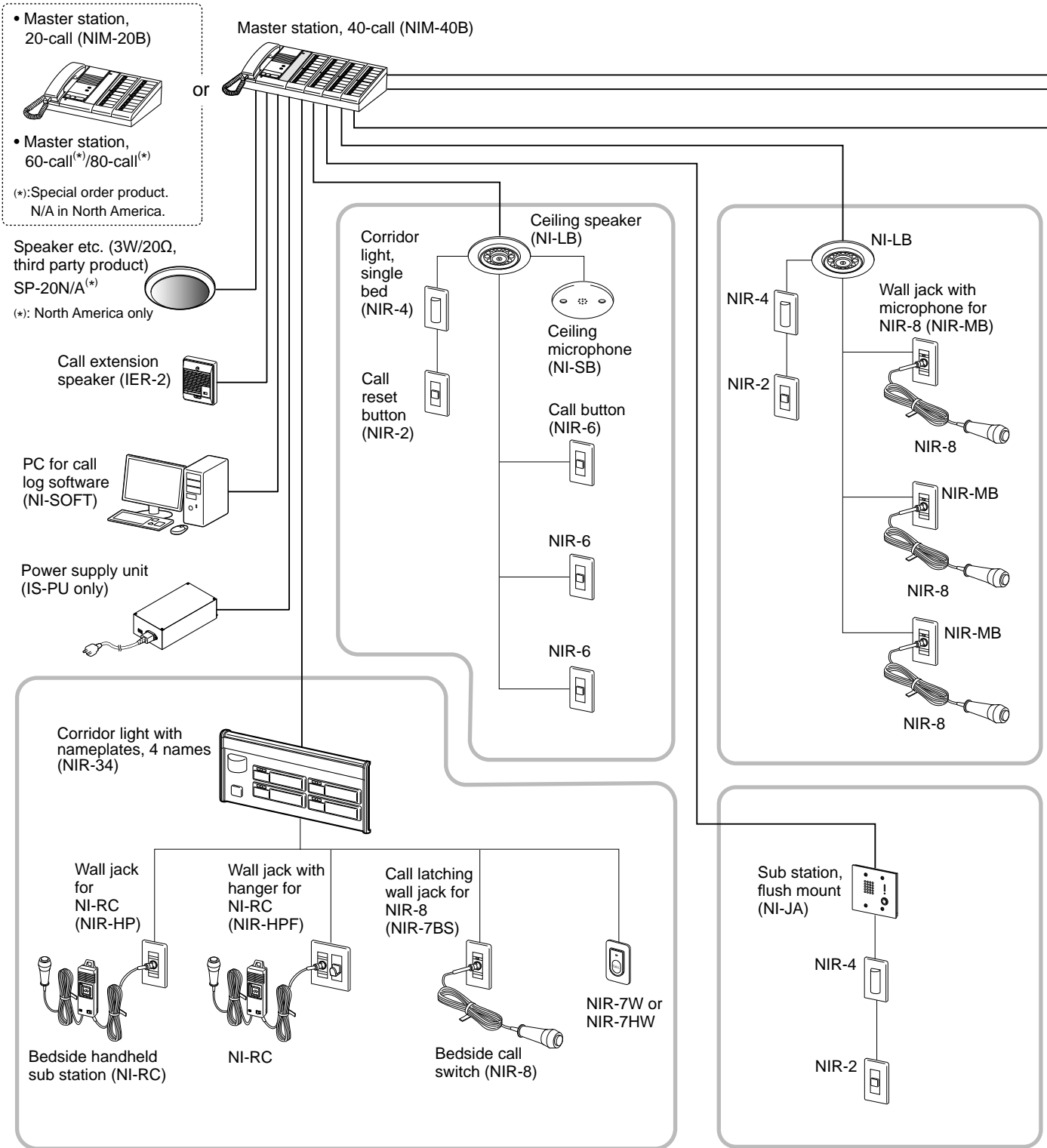
NOTICES

- We will under no conditions be liable for damage that occurs due to the inability to communicate due to malfunctions, problems, or operational errors in this product.
- We will under no conditions be liable for any damages or losses resulting from this product's contents or specifications.
- This manual was created by Aiphone Co., Ltd., all rights reserved. Copying a part of or this entire manual without prior permission from Aiphone Co., Ltd. is strictly forbidden.
- Please note that images and illustrations depicted in this manual may differ from the actual ones.
- Please note that this manual may be revised or changed without prior notice.
- Please note that product specifications may be changed for the sake of improvement without prior notice.
- This system is not intended for life support or crime prevention. It is just a supplementary means of conveying information. Aiphone will under no conditions be liable for loss of life or property which occurs while the system is being operated.

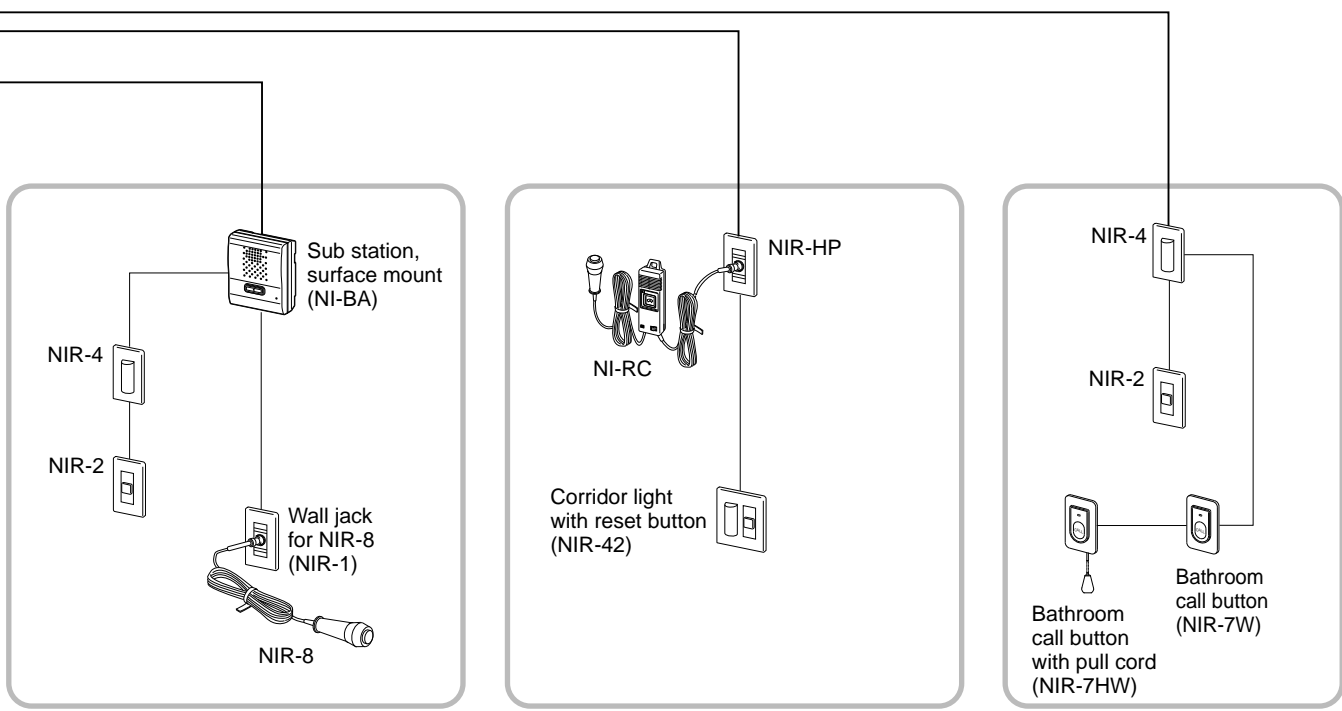
GETTING STARTED

System configuration

The following is a system configuration example. You can select needed equipment to configure a system to meet your application needs.



NOTE: The above example may differ from actual product.



Maximum number of stations in a single system

The maximum number of sub stations differs depending on the master station model.

Master station		Sub station (Qty)	Personal computer (Qty)
Model	Qty		
NIM-20B	1	20	1
NIM-40B	1	40	1
Master station, 60-call (*)	1	60	1
Master station, 80-call (*)	1	80	1

(*): Special order product.
N/A in North America.

Communication methods

The following two methods are available on the master station.

Method	Communication style	Description
Using handset	Voice-actuated communication	The communication mode is VOX, half duplex. When speaking into the handset, voice is transmitted to the other station. When listening, the voice from the remote station is heard through the handset.
Hands-free	Push-to-Talk	To speak, press and hold the TALK button. To listen, release the TALK button.

Part names

Master station

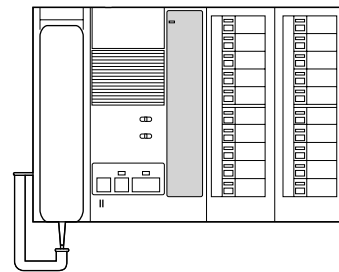
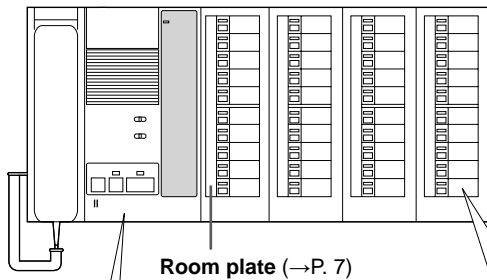
The following master station models are available.

Model	Description	Model	Description
NIM-20B	Supports up to 20 sub stations.	Master station, 60-call^(*)	Supports up to 60 sub stations.
NIM-40B	Supports up to 40 sub stations.	Master station, 80-call^(*)	Supports up to 80 sub stations.

(*): Special order product.
N/A in North America.

Master station, 40-call (NIM-40B)

Master station, 20-call (NIM-20B)



Room plate (→P. 7)

Station selector and indicator

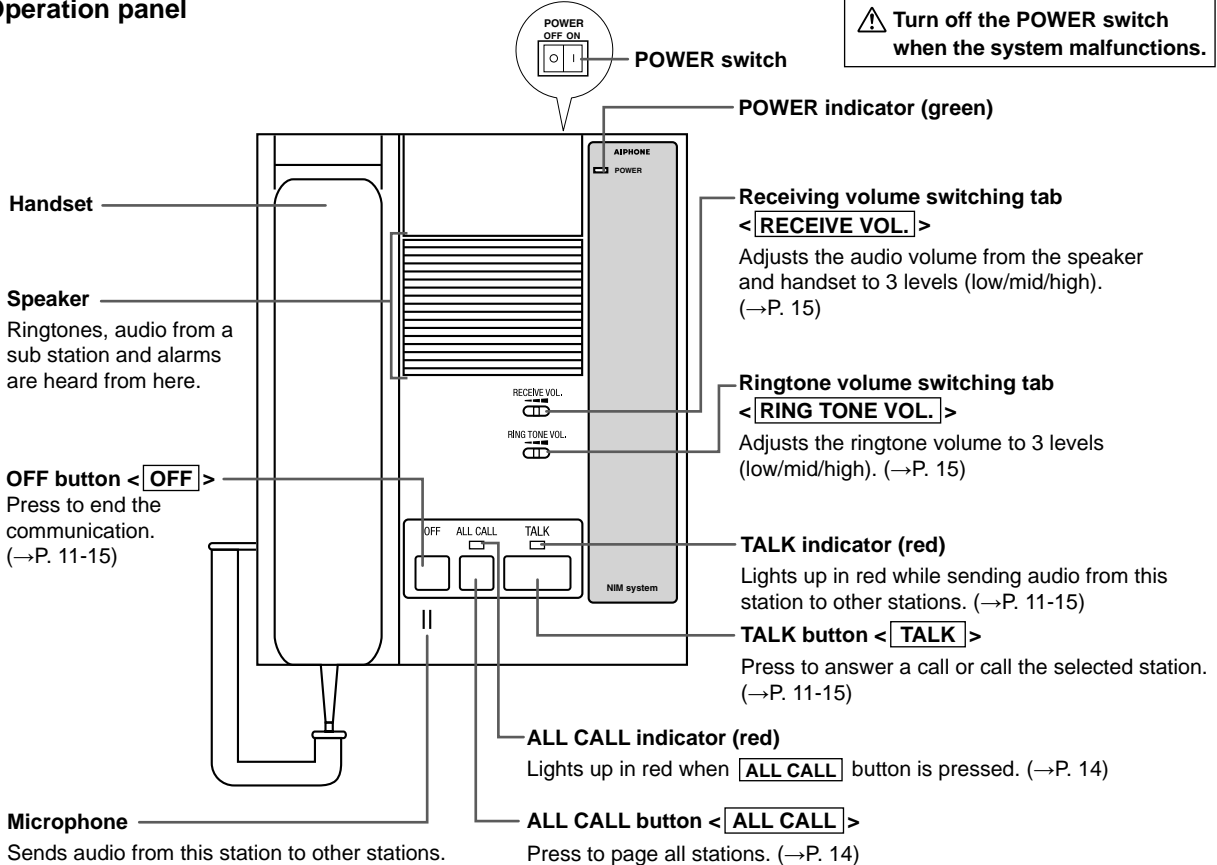
Call-in (red)/talk (green) indicator

Station selector button

Nameplate (→P. 7)



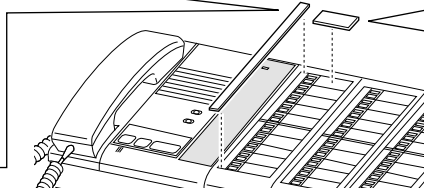
Operation panel



■ How to use the magnetic room and name plates

Room plate (included)

- 1 Write information (e.g. room number) on the plate in the corresponding positions.
- 2 Attach the plate on the corresponding position.



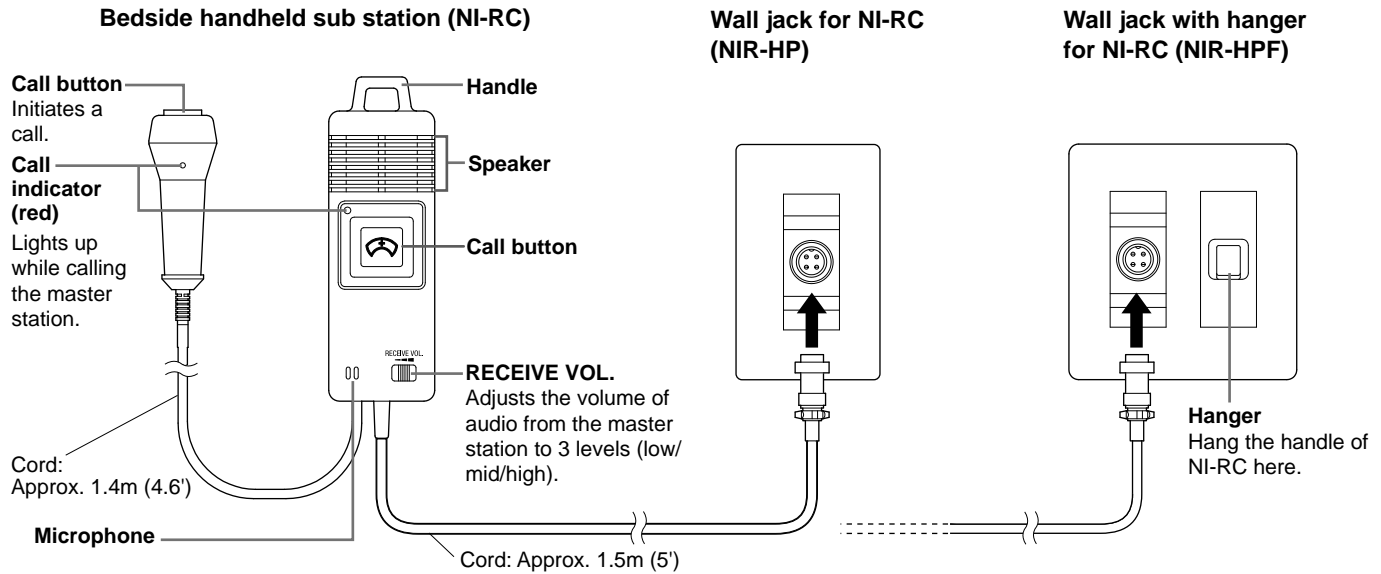
Nameplate (included)

- 1 Write information (e.g. name) on the plate.
- 2 Attach the plate on the corresponding position.

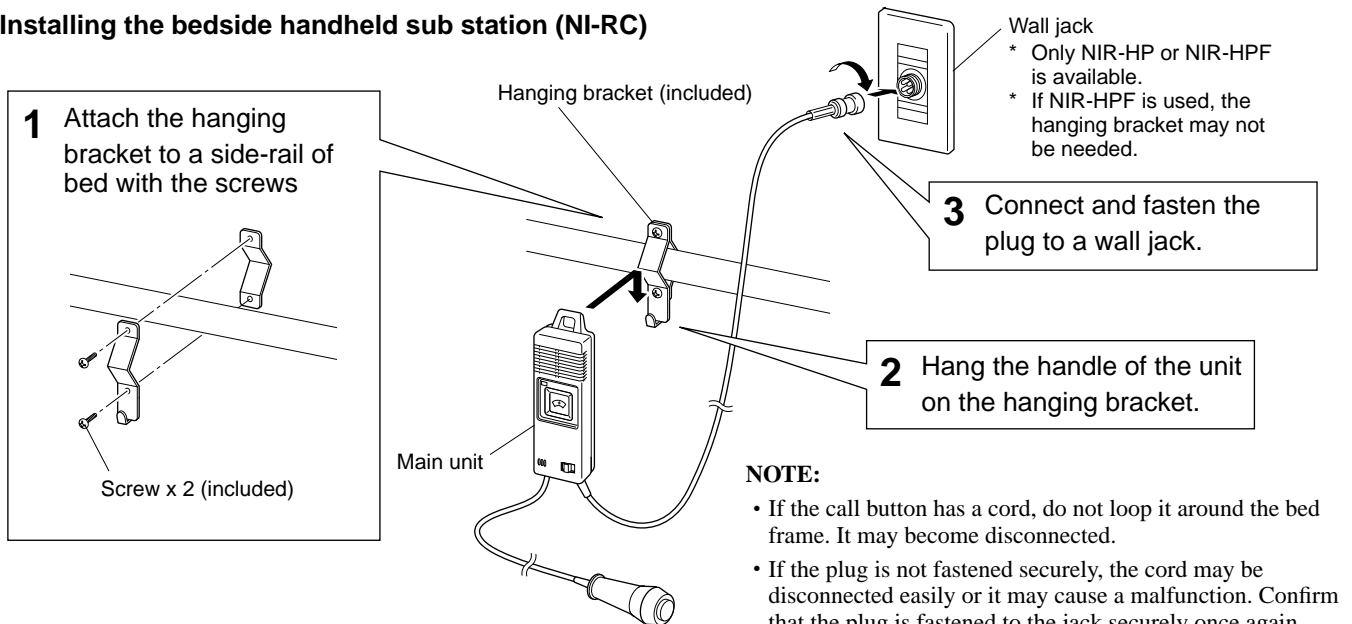
NOTES:

- Use an oil-based pen (a grease marker) to fill in the plate.
- When rewriting, be sure to remove the plate from the panel first, and then wipe away the current contents with a soft cloth dampened with rubbing alcohol. Do not use thinner.

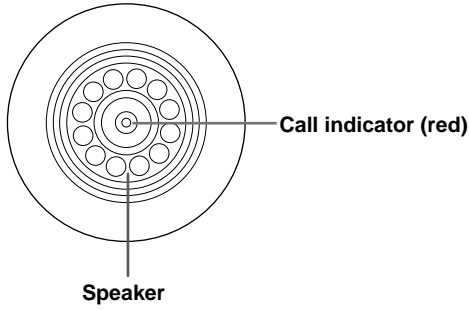
Sub station



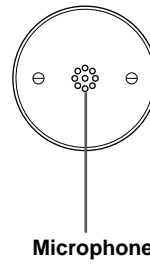
■ Installing the bedside handheld sub station (NI-RC)



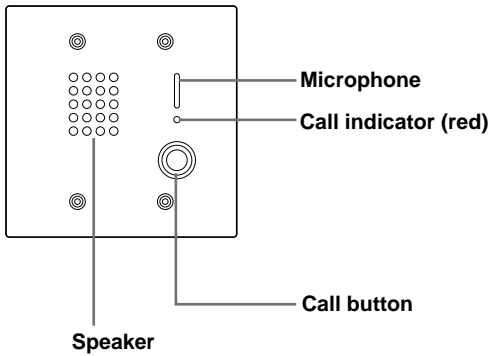
Ceiling speaker (NI-LB)



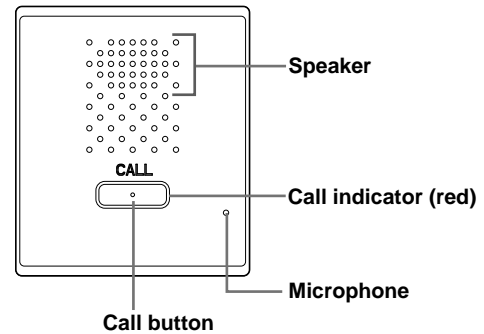
Ceiling microphone (NI-SB)



Sub station, flush mount (NI-JA)

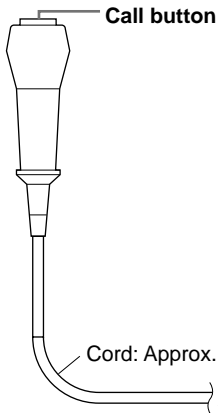


Sub station, surface mount (NI-BA)

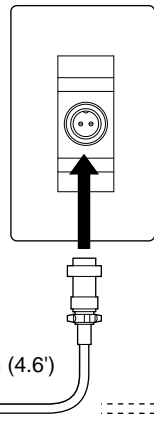


Call button, wall jack

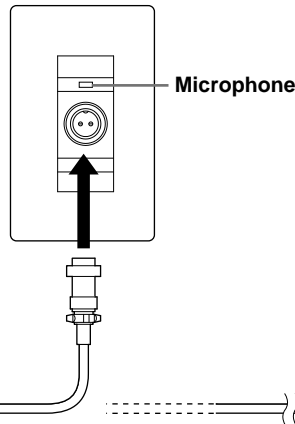
Bedside call switch (NIR-8)



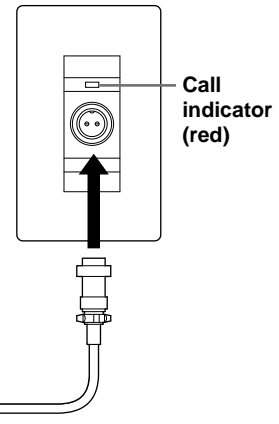
Wall jack for NIR-8 (NIR-1)



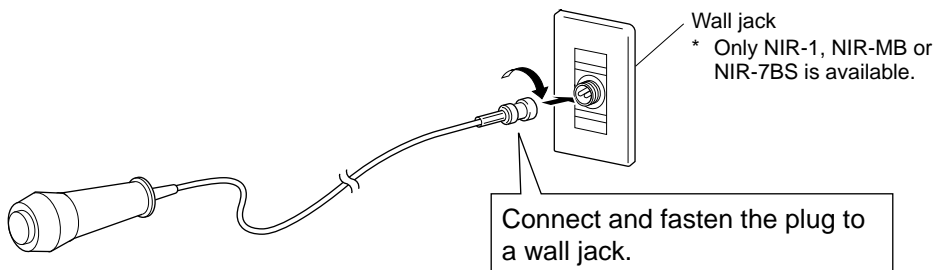
Wall jack with microphone for NIR-8 (NIR-MB)



Call latching wall jack for NIR-8 (NIR-7BS)



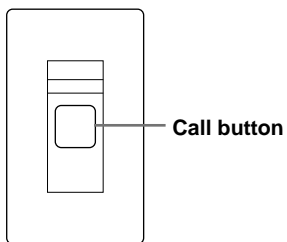
■ Connecting the bedside call switch (NIR-8)



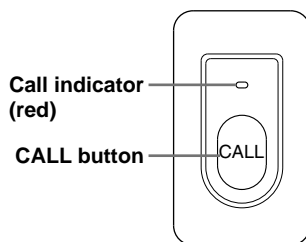
NOTE:

- If the call button has a cord, do not loop it around the bed frame. It may become disconnected.
- If the plug is not fastened securely, the cord may be disconnected easily or it may cause a malfunction. Confirm that the plug is fastened to the jack securely once again.

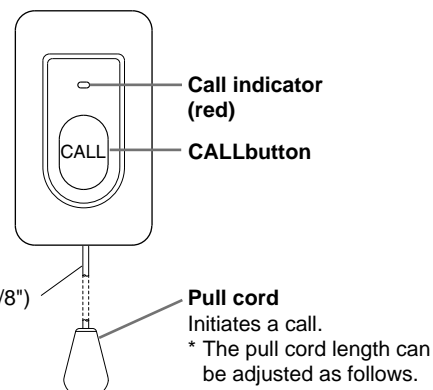
Call button (NIR-6)



Bathroom call button (NIR-7W)



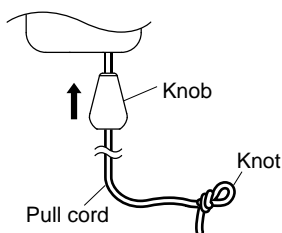
Bathroom call button with pull cord (NIR-7HW)



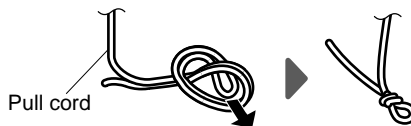
Pull cord: Approx. 550mm (21-5/8")

Adjusting the pull cord length

① Raise the knob to take out the knot.



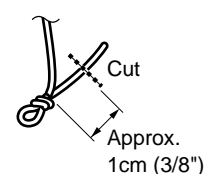
② Release the knot, and then retie the pull cord doubly so that it is adjusted to the desired length.



NOTE:

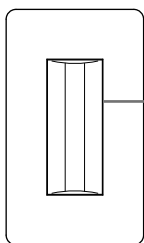
After the adjustment, make sure to pull the knob to confirm that the knot does not come loose.

③ Cut off the excess length of the cord end so that it becomes approx. 1cm (3/8").

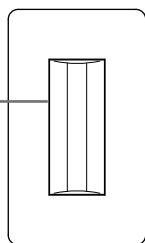


Corridor light, reset button

Corridor light, single bed (NIR-4)

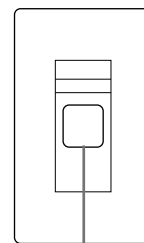


Corridor light, multiple beds (NIR-4S)



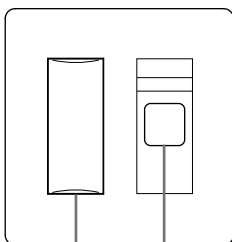
Lamp (red)

Call reset button (NIR-2)



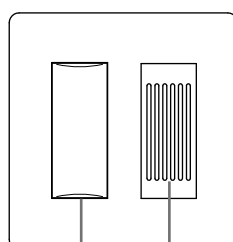
Reset button

Corridor light with reset button (NIR-42)



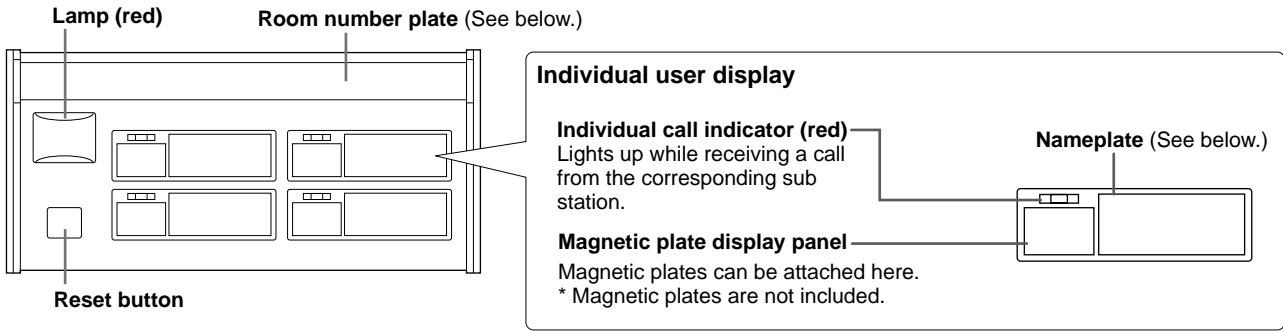
Lamp (red) Reset button

Corridor light with buzzer (NIR-4BZ)

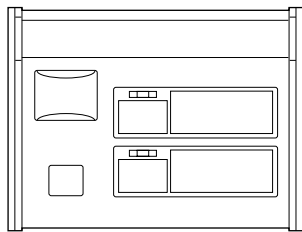


Lamp (red) Buzzer

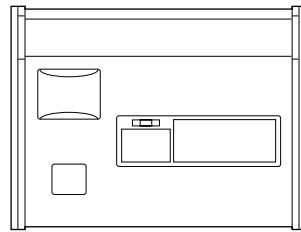
Corridor light with nameplates, 4 names (NIR-34)



Corridor light with nameplates, 2 names (NIR-32)



Corridor light with nameplate, 1 name (NIR-31)



How to use the room number plate and magnetic nameplates

Room number plate (included)

- 1 Write the room number on the plate.
- 2 Attach the plate to the corridor light by putting both ends of the plate into the side panels of the corridor light.

Side panel

Nameplate (included)

- 1 Write the name of station, user, etc. on the plate.
- 2 Attach the plate to the corresponding position.

To remove

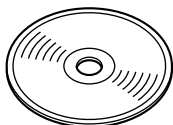
NOTES:

- Use an oil-based pen (a grease marker) to fill in a plate.
- When rewriting, be sure to remove the plate from the panel first, and then wipe away the current contents with a soft cloth dampened with rubbing alcohol. Do not use thinner etc.

Software

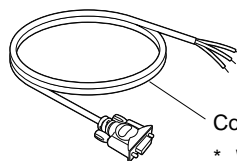
CD-ROM (NI-SOFT)

Call history management software.



RS232C cable

Connects the PC installed with the NI-SOFT to the master station.



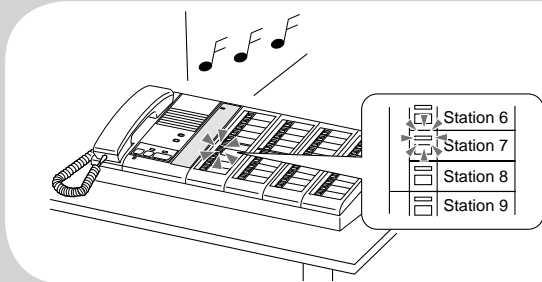
Cord: 1m (3.3')

* When extending the RS232C cable, the distance between the master station and the PC should be 15m (50') or less.

USING THE SYSTEM (AT THE MASTER STATION)

Answering a call

When receiving a single call

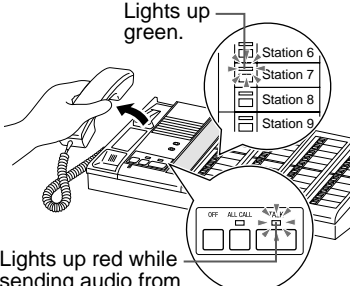


- The ringtone sounds.
- The call-in/talk indicator for the calling station blinks red.
- If a corridor light is installed at the sub station, it also lights up.
- If the call extension speaker IER-2 is installed, it sounds the same ringtone as the master station.

The following operations can be performed.

■ Answering with handset

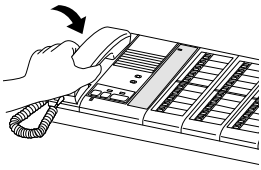
1 Pick up the handset and talk with the caller.



Lights up green.
Lights up red while sending audio from this station to other stations.

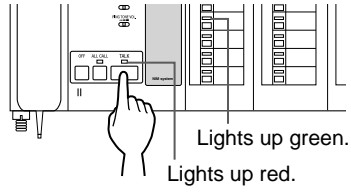
* Corridor light and indicators on the equipment other than the master station turn off at the start of talking.

2 To end the communication, hang up the handset.



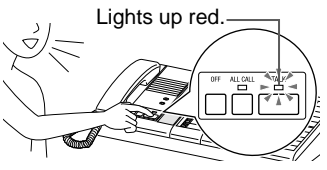
■ Answering in Push-to-Talk mode

1 Press **TALK** and begin talking with the caller.



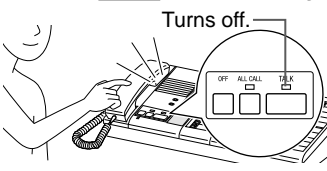
Lights up green.
Lights up red.

To speak
Press and hold **TALK** while speaking.



Lights up red.

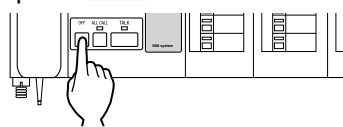
To listen to the caller
Release **TALK** while listening.



Turns off.

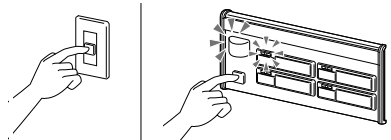
* Corridor light and indicators on the equipment other than the master station turns off at the start of talking.

2 To end the communication, press **OFF**.



■ Going to the calling location directly

1 Go to the calling location and press the reset button for the calling station.



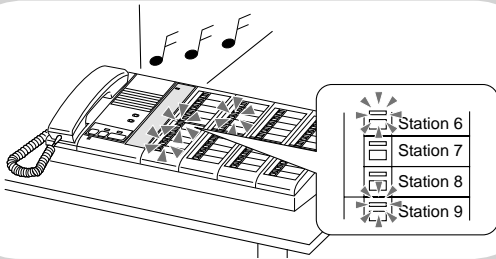
The call indicator on the calling station and the corresponding indicators on the master station turn off.

* When two or more call indicators are lit on a corridor light, pressing the reset button turns off all the indicators.

NOTES:

- Communication will end automatically after 90 seconds.
- Confirm the calling station before pressing the reset button. The indicators on the master station and corridor light will turn off when the reset button is pressed.
- Pressing **OFF** while talking ends the communication and turns off the indicators. Be sure to confirm the calling station before pressing **OFF**.
- There is communication only if a sub station or speaker/microphone is installed in the calling location.
- When a new call comes in during communication, the call-in/talk indicator for the corresponding station blinks red and the ringtone sounds at a low volume.
- When you pick up the handset while communicating in Push-to-Talk mode, you can continue communicating by using the handset.

When receiving multiple calls

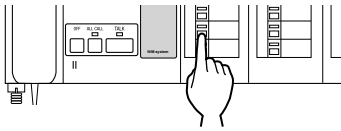


- The ringtone sounds.
- The call-in/talk indicators for the calling stations blink red.
 - * Up to 10 calls are received on the master station at the same time. The 11th and subsequent calls are cancelled.
 - * The call indicators on the stations of the 6th to 10th calls and the corresponding corridor lights do not light up.
- The corridor light installed at the sub station will light up during call-in.
- If the call extension speaker IER-2 is installed, it sounds the same ringtone as the master station.

The following operations can be performed.

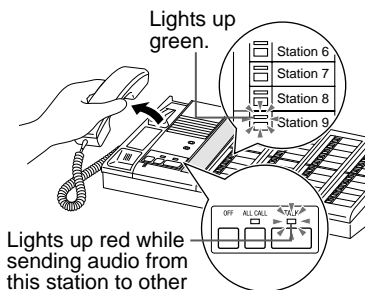
■ Answering with handset

- 1 Press the selector button of the calling station.



* If the handset is picked up without selecting the calling station, the first-come call is received.

- 2 Pick up the handset and talk with the caller.



Lights up green.

Lights up red while sending audio from this station to other stations.

* Corridor light and indicators on the equipment other than the master station turns off at the start of talking.

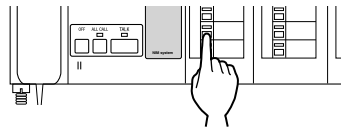
- 3 To end the communication, hang up the handset.

The call-in/talk indicator for the caller turns off.

- * To answer the next call, press **OFF** with the handset still off hook.
- * The ringtone sounds and the call-in/talk indicators for other calls blink red. To answer another call, repeat step 1 - 3.

■ Answering in Push-to-Talk mode

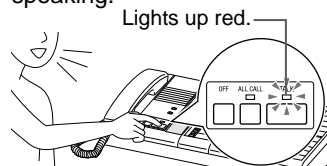
- 1 Press the station selector button of the calling station.



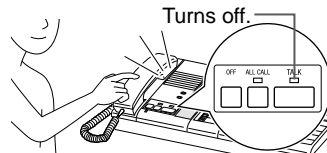
* If this step is skipped, the first-come call is automatically selected.

- 2 Press **TALK** and begin talking with the caller.

To speak
Press and hold **TALK** while speaking.



To listen to the caller
Release **TALK** while listening.



* Corridor light and indicators on the equipment other than the master station turns off at the start of talking.

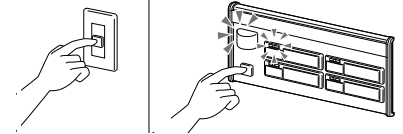
- 3 To end communication, press **OFF**.

The call-in/talk indicator for the caller turns off.

* The ringtone sounds and the call-in/talk indicators for other calls blink red. To answer another call, repeat step 1 - 3.

■ Going to the calling location directly

- 1 Go to the calling location and press the reset button for the calling station.



The call indicator on the calling station and the corresponding indicators on the master station turn off.

* When two or more call indicators are lit on a corridor light, pressing the reset button turns off all the indicators.

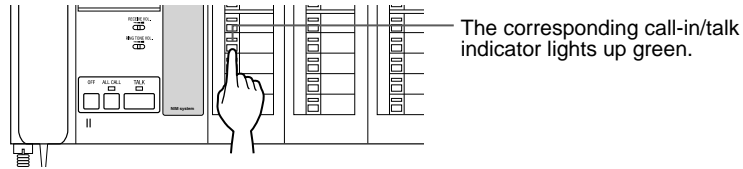
NOTES:

- Communication will end automatically after 90 seconds.
- Confirm the calling station before pressing the reset button. The indicators on the master station and corridor light will turn off when the reset button is pressed.
- Pressing **OFF** while talking ends the communication and turns off the indicators. Be sure to confirm the calling station before pressing **OFF**.
- There is communication only if a sub station or speaker/microphone is installed in the calling location.
- When a new call comes in during communication, the call-in/talk indicator for the corresponding station blinks red and the ringtone sounds at a low volume.
- When you pick up the handset while communicating in Push-to-Talk mode, you can continue communicating by using the handset.

Calling sub stations

Calling a single sub station

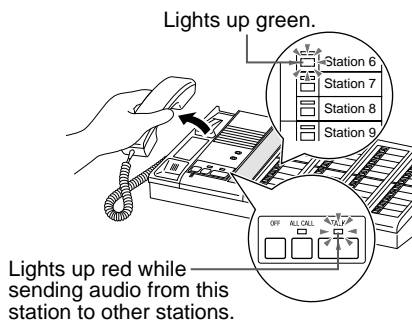
- 1 Press the station selector button for the sub station to be called.



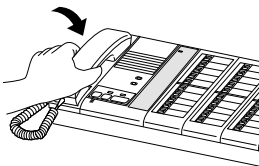
The following operations can be performed.

■ Talking with handset

- 2 Pick up the handset and talk with the user of the sub station.



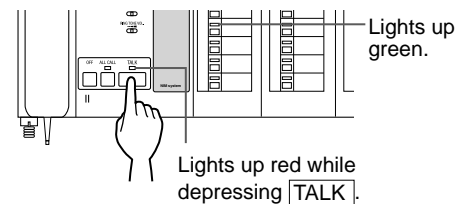
- 3 To end the communication, hang up the handset.



The call-in/talk indicator for the target sub station turns off.

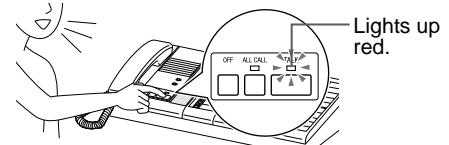
■ Talking in Push-to-Talk mode

- 2 Press **TALK** and begin talking.



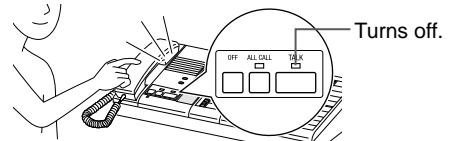
To speak

Press and hold **TALK** while speaking.

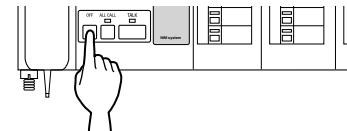


To listen to the user of the sub station

Release **TALK** while listening.



- 3 To end the communication, press **OFF**.



NOTES:

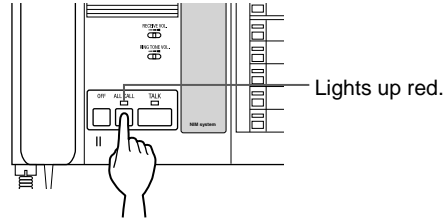
- Communication will end automatically after 90 seconds.
- When a call comes in while you are talking with another station, you can answer it after ending the current communication.
- There is communication only if a sub station or speaker/microphone is installed in the calling location.

Paging

You can page all stations or only the selected stations simultaneously.

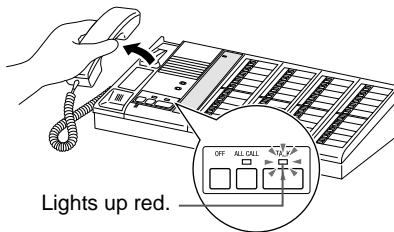
[When paging all stations]

- 1 Press **ALL CALL**.



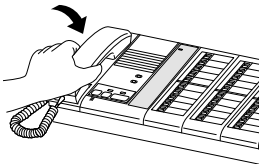
■ Speaking with handset

- 2 Pick up the handset and begin speaking.



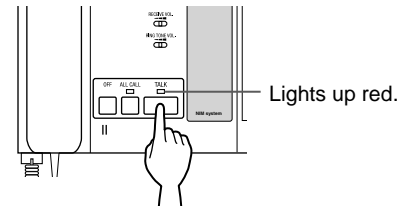
A notice sound is heard at all the sub stations.

- 3 To end the paging, hang up the handset.



■ Speaking in Push-to-Talk mode

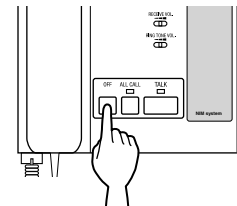
- 2 Press and hold **TALK**, and begin speaking.



* Do not release **TALK** until you end speaking.

A notice sound is heard at all the sub stations.

- 3 To end the paging, press **OFF**.



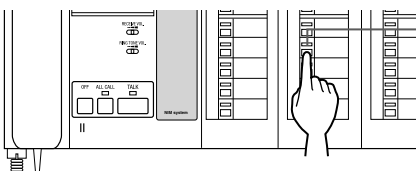
NOTES:

- Paging will end automatically after 90 seconds.
- When a call comes in while you are paging another station, you can answer it after ending the paging.
- Paging is possible only if a sub station or speaker/microphone is installed in the calling location.
- If a third party speaker is installed, it makes the same sound as the sub station.

[When paging only the selected stations (Group Call)]

- 1 Press the station selector button(s) for the sub station(s) to be called.

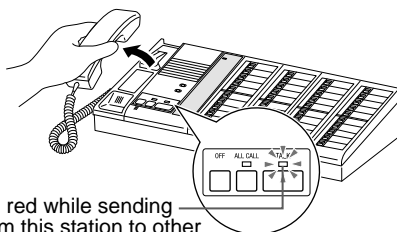
* Up to 5 stations can be selected.



The call-in/talk indicator(s) for the selected station(s) blink(s) green.

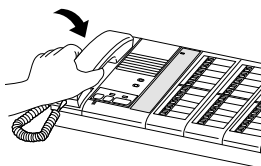
■ Speaking with handset

- 2 Pick up the handset and begin speaking.



Lights up red while sending audio from this station to other stations.

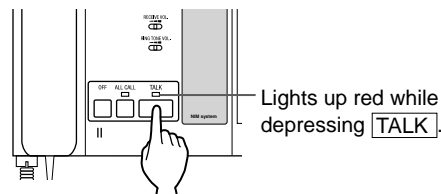
- 3 To end the paging, hang up the handset.



The call-in/talk indicators for the target sub stations turn off.

■ Speaking in Push-to-Talk mode

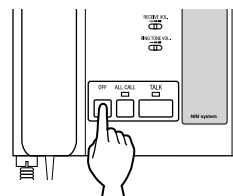
- 2 Press and hold **TALK**, and begin speaking.



Lights up red while depressing **TALK**.

* Do not release **TALK** until you end speaking.

- 3 To end the paging, press **OFF**.



The call-in/talk indicators for the target sub stations turn off.

NOTES:

- Communication will end automatically after 90 seconds.
- When a call comes in while you are talking with another station, you can answer it after ending the current communication.
- There is communication only if a sub station or speaker/microphone is installed in the calling location.
- While speaking on the master station (the TALK indicator is lit), audio from the selected sub stations will not be heard at the master station.
- Audio from the selected sub stations will be heard simultaneously at the master station when the TALK indicator is turned off.
- Audio from each of the selected sub stations will be heard at the master station only.

Adjusting volume

Adjusting receiving volume and ringtone volume

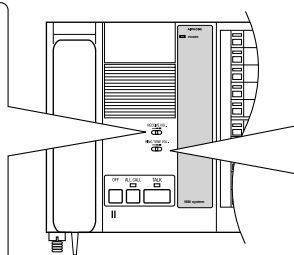
Adjusting receiving volume

RECEIVE VOL.



Low - Mid - High

Audio volume from the speaker and handset can be changed to 3 levels (low/mid/high) by sliding **RECEIVE VOL.** tab.



Adjusting ring tone volume

RING TONE VOL.



Low - Mid - High

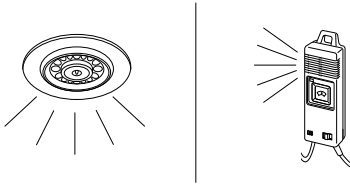
The ringtone volume can be changed to 3 levels (low/mid/high) by sliding **RING TONE VOL.** tab.

USING THE SYSTEM (AT A SUB STATION) _____

Answering a call

When receiving a call from the master station;

A pretone is heard from the speaker, and the caller speaks.



* The type of speaker differs depending on the equipment used in your application.



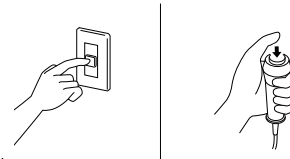
1 Answer the caller by talking.

Communication continues until the call is ended at the master station.

* Communication will end automatically after 90 seconds.

Calling the master station

1 Press the call button.



* The type of call button differs depending on the equipment used in your application.

2 When the master station answers, begin talking.

Communication continues until the call is ended at the master station.

* Communication will end automatically after 90 seconds.

NOTES:

- You cannot talk with the master station if no microphone/speaker is installed at your location.
- Talk into the microphone on the equipment.
- When calling the master station, confirm that the call indicator on the equipment your are using is lit.

Technical precautions

Cleaning:

Clean all units with a soft cloth and gentle cleaner. Do not spray cleaner directly on unit. Do not use an abrasive cleaner or cloth.

Troubleshooting

If the system fails to operate normally, check the following points to determine whether the fault can be corrected by the simple measures suggested. If it cannot be corrected, or if the fault is not listed in the "Symptom" column, disconnect the power cord and contact the system supplier or service center for help.

Symptom	Cause	Remedy
The master station does not operate.	The power switch on the back of the master station is in the OFF position.	Turn on the power switch. (→ This manual, page 6)
No ringtone		

Specifications

Master station, 20-call (NIM-20B)

Master station, 40-call (NIM-40B)

Master station, 60-call^(*)

Master station, 80-call^(*)

Power source	48V DC (supplied from the power supply unit)
Ambient temperature	0 - 40°C (+32°F - +104°F)
Communication	Handset: Voice-actuated communication VOX: Push-to-Talk (PTT)
Material	Panel: Plastic Chassis: SPCC
Color	Panel: White Chassis: Green mist
Dimensions	NIM-20B 330 (W) x 230 (H) x 140 (D) mm 13" (W) x 9-1/16" (H) x 5-1/2" (D)
	NIM-40B 480 (W) x 230 (H) x 140 (D) mm 18-7/8" (W) x 9-1/16" (H) x 5-1/2" (D)
	60-call ^(*) 630 (W) x 230 (H) x 140 (D) mm 24-13/16" (W) x 9-1/16" (H) x 5-1/2" (D)
	80-call ^(*) 780 (W) x 230 (H) x 140 (D) mm 30-11/16" (W) x 9-1/16" (H) x 5-1/2" (D)
Weight	NIM-20B Approx. 3.4 kg (7.48 lbs.)
	NIM-40B Approx. 4.8 kg (10.56 lbs.)
	60-call ^(*) Approx. 6.4 kg (14.08 lbs.)
	80-call ^(*) Approx. 7.8 kg (17.16 lbs.)

(*): Special order product. N/A in North America.

Sub station, surface mount (NI-BA)

Power source	Supplied from the master station
Communication	Open voice hands-free communication
Ambient temperature	0 - 40°C (+32°F - +104°F)
Mounting	Desktop use or wall (surface)-mount
Electrical box	1-gang box
Material	Plastic
Color	White
Dimensions	130 (W) x 150 (H) x 33 (D) mm 5-1/8" (W) x 5-7/8" (H) x 1-5/16" (D)
Weight	Approx. 290g (0.64 lbs.)

Sub station, flush mount (NI-JA)

Power source	Supplied from the master station
Communication	Open voice hands-free communication
Ambient temperature	-10 - +60°C (+14°F - +140°F)
Mounting	Flush-mount
Electrical box	2-gang box
Material	Front panel: Stainless steel Main unit: Plastic
Color	Front panel: Silver (stainless steel, vertical hair-line processed)
Dimensions	120 (W) x 120 (H) x 53.5 (D) mm 4-3/4" (W) x 4-3/4" (H) x 2-1/8" (D)
Weight	Approx. 380g (0.84 lbs.)
Remarks	Protection class: IP54, IK07

Ceiling speaker (NI-LB)

Power source	Supplied from the master station
Ambient temperature	0 - 40°C (+32°F - +104°F)
Mounting	Flush-mount on the ceiling
Material	Plastic
Color	White
Dimensions	ø180 x 62.5 (D) mm ø7-1/16" x 2-7/16" (D)
Weight	Approx. 500g (1.1 lbs.)

Ceiling microphone (NI-SB)

Power source	Supplied from the master station
Ambient temperature	0 - 40°C (+32°F - +104°F)
Mounting	Flush-mount on the ceiling
Applicable outlet box	Round shape with cover for depth of plastering
Material	Plate: Stainless steel
Dimensions	ø105 x approx. 45 (D) mm ø4-1/8" x approx. 1-3/4" (D)
Weight	Approx. 75g (0.17 lbs.)

Bedside handheld sub station (NI-RC)

Power source	Supplied from the master station
Communication	Open voice hands-free communication
Ambient temperature	0 - 40°C (+32°F - +104°F)
Type	Handheld
Material	Plastic
Color	White
Dimensions	56 (W) x 171.5 (H) x 28 (D) mm 2-3/16" (W) x 6-3/4" (H) x 1-1/8" (D)
Weight	Approx. 310g (0.68 lbs.)

Wall jack for NI-RC (NIR-HP)

Ambient temperature	0 - 40°C (+32°F - +104°F)
Mounting	Wall (flush)-mount
Electrical box	1-gang box
Material	Plastic
Color	White
Dimensions	70 (W) x 120 (H) x approx. 37 (D) mm 2-3/4" (W) x 4-3/4" (H) x approx. 1-7/16" (D)
Weight	Approx. 90g (0.2 lbs.)

Wall jack with hanger for NI-RC (NIR-HPF)

Ambient temperature	0 - 40°C (+32°F - +104°F)
Mounting	Wall (flush)-mount
Electrical box	2-gang box
Material	Plastic
Color	White
Dimensions	116 (W) x 120 (H) x approx. 53 (D) mm 4-9/16" (W) x 4-3/4" (H) x approx. 2-1/16" (D)
Weight	Approx. 140g (0.31 lbs.)

Bedside call switch (NIR-8)

Ambient temperature	0 - 40°C (+32°F - +104°F)
Material	Plastic
Color	White
Dimensions	ø36 x 95 (H) mm ø1-7/16" x 3-3/4" (H)
Weight	Approx. 90g (0.2 lbs.)

Wall jack for NIR-8 (NIR-1)

Ambient temperature	0 - 40°C (+32°F - +104°F)
Mounting	Wall (flush)-mount
Electrical box	1-gang box
Material	Plastic
Color	White
Dimensions	70 (W) x 120 (H) x approx. 27 (D) mm 2-3/4" (W) x 4-3/4" (H) x approx. 1-1/16" (D)
Weight	Approx. 75g (0.17 lbs.)

Wall jack with microphone for NIR-8 (NIR-MB)

Power source	Supplied from the master station
Ambient temperature	0 - 40°C (+32°F - +104°F)
Mounting	Wall (flush)-mount
Electrical box	1-gang box
Material	Plastic
Color	White
Dimensions	70 (W) x 120 (H) x approx. 62 (D) mm 2-3/4" (W) x 4-3/4" (H) x approx. 2-7/16" (D)
Weight	Approx. 120g (0.26 lbs.)

Call latching wall jack for NIR-8 (NIR-7BS)

Power source	Supplied from the master station
Ambient temperature	0 - 40°C (+32°F - +104°F)
Mounting	Wall (flush)-mount
Electrical box	1-gang box
Material	Plastic
Color	White
Dimensions	70 (W) x 120 (H) x approx. 62 (D) mm 2-3/4" (W) x 4-3/4" (H) x approx. 2-7/16" (D)
Weight	Approx. 140g (0.31 lbs.)

Call button (NIR-6)

Ambient temperature	0 - 40°C (+32°F - +104°F)
Mounting	Wall (flush)-mount
Electrical box	1-gang box
Material	Plastic
Color	White
Dimensions	70 (W) x 120 (H) x approx. 38 (D) mm 2-3/4" (W) x 4-3/4" (H) x approx. 1-1/2" (D)
Weight	Approx. 85g (0.19 lbs.)

Bathroom call button (NIR-7W)

Power source	Supplied from the master station
Ambient temperature	0 - 40°C (+32°F - +104°F)
Mounting	Wall (flush)-mount
Electrical box	1-gang box
Material	Plastic
Color	White
Dimensions	70 (W) x 120 (H) x 25 (D) mm 2-3/4" (W) x 4-3/4" (H) x 1" (D)
Weight	Approx. 100g (0.22 lbs.)
Remarks	Protection class: IPX4

Bathroom call button with pull cord (NIR-7HW)

Power source	Supplied from the master station
Ambient temperature	0 - 40°C (+32°F - +104°F)
Mounting	Wall (flush)-mount
Electrical box	1-gang box
Material	Plastic
Color	White
Dimensions	70 (W) x 120 (H) x 25 (D) mm 2-3/4" (W) x 4-3/4" (H) x 1" (D)
Weight	Approx. 110g (0.24 lbs.)
Remarks	Protection class: IPX4

Corridor light, single bed (NIR-4)

Corridor light, multiple beds (NIR-4S)

Power source	Supplied from the master station
Ambient temperature	0 - 40°C (+32°F - +104°F)
Mounting	Wall (flush)-mount
Electrical box	1-gang box
Material	Plastic
Color	White
Dimensions	70 (W) x 120 (H) x 28.5 (D) mm 2-3/4" (W) x 4-3/4" (H) x 1-1/8" (D)
Weight	Approx. 70g (0.15 lbs.)

Call reset button (NIR-2)

Ambient temperature	0 - 40°C (+32°F - +104°F)
Mounting	Wall (flush)-mount
Electrical box	1-gang box
Material	Plastic
Color	White
Dimensions	70 (W) x 120 (H) x approx. 38 (D) mm 2-3/4" (W) x 4-3/4" (H) x approx. 1-1/2" (D)
Weight	Approx. 85g (0.19 lbs.)

Corridor light with reset button (NIR-42)

Power source	Supplied from the master station
Ambient temperature	0 - 40°C (+32°F - +104°F)
Mounting	Wall (flush)-mount
Electrical box	2-gang box
Material	Plastic
Color	White
Dimensions	116 (W) x 120 (H) x approx. 52 (D) mm 4-9/16" (W) x 4-3/4" (H) x approx. 2-1/16" (D)
Weight	Approx. 130g (0.29 lbs.)

Corridor light with buzzer (NIR-4BZ)

Power source	Supplied from the master station
Ambient temperature	0 - 40°C (+32°F - +104°F)
Mounting	Wall (flush)-mount
Electrical box	2-gang box
Material	Plastic
Color	White
Dimensions	116 (W) x 120 (H) x approx. 77 (D) mm 4-9/16" (W) x 4-3/4" (H) x approx. 3-1/16" (D)
Weight	Approx. 160g (0.35 lbs.)

Corridor light with nameplate 1 name (NIR-31)


Corridor light with nameplate 2 name (NIR-32)

Corridor light with nameplate 4 name (NIR-34)

Power source	Supplied from the master station	
Ambient temperature	0 - 40°C (+32°F - +104°F)	
Material	SPCC	
Color	White	
Dimensions	NIR-31	190 (W) x 144 (H) x 40 (D) mm 7-1/2" (W) x 5-11/16" (H) x 1-9/16" (D)
	NIR-32	190 (W) x 144 (H) x 40 (D) mm 7-1/2" (W) x 5-11/16" (H) x 1-9/16" (D)
	NIR-34	306 (W) x 144 (H) x 40 (D) mm 12-1/16" (W) x 5-11/16" (H) x 1-9/16" (D)
Weight	NIR-31	Approx. 490g (1.08 lbs.)
	NIR-32	Approx. 490g (1.08 lbs.)
	NIR-34	Approx. 810g (1.78 lbs.)

Warranty

Aiphone warrants its products to be free from defects of material and workmanship under normal use and service for a period of one year after delivery to the ultimate user and will repair free of charge or replace at no charge, should it become defective upon which examination shall disclose to be defective and under warranty. Aiphone reserves unto itself the sole right to make the final decision whether there is a defect in materials and/or workmanship; and whether or not the product is within the warranty. This warranty shall not apply to any Aiphone product which has been subject to misuse, neglect, accident, power surge, or to use in violation of instructions furnished, nor extended to units which have been repaired or altered outside of the factory. This warranty does not cover batteries or damage caused by batteries used in connection with the unit. This warranty covers bench repairs only, and any repairs must be made at the shop or place designated in writing by Aiphone. This warranty is limited to the standard specifications listed in the operation manual. This warranty does not cover any supplementary function of a third party product that is added by users or suppliers. Please note that any damage or other issues caused by failure of function or interconnection with Aiphone products is also not covered by this warranty. Aiphone will not be responsible for any costs incurred involving on site service calls. Aiphone will not provide compensation for any loss or damage incurred by the breakdown or malfunction of its products during use, or for any consequent inconvenience or losses that may result.

The object area of  is the EU.

FCC

This device complies with part 15 of the FCC Rules. Operation is subject to the following two conditions: (1) This device may not cause harmful interference, and (2) this device must accept any interference received, including interference that may cause undesired operation.

NOTE: This equipment has been tested and found to comply with the limits for a Class B digital device, pursuant to part 15 of the FCC Rules. These limits are designed to provide reasonable protection against harmful interference in a residential installation. This equipment generates, uses and can radiate radio frequency energy and, if not installed and used in accordance with the instructions, may cause harmful interference to radio communications. However, there is no guarantee that interference will not occur in a particular installation. If this equipment does cause harmful interference to radio or television reception, which can be determined by turning the equipment off and on, the user is encouraged to try to correct the interference by one or more of the following measures:

- Reorient or relocate the receiving antenna.
- Increase the separation between the equipment and receiver.
- Connect the equipment into an outlet on a circuit different from that to which the receiver is connected.
- Consult the dealer or an experienced radio/TV technician for help.

IC

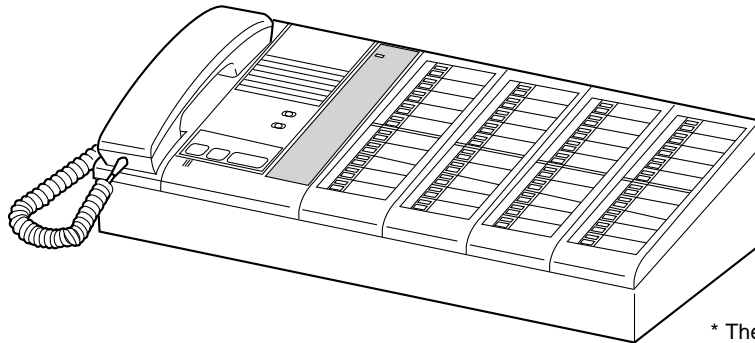
CAN ICES-3 (B)/NMB-3(B)

 **AIPHONE**®
Providing Peace of Mind
<http://www.aiphone.net/>

AIPHONE

NIM system

INSTALLATION MANUAL



* The illustration shows the Master station, 40-call (NIM-40B).

Thank you for selecting Aiphone for your communication needs. Please read this manual carefully before installation, and keep it in a safe place for future reference.

Please note that images and illustrations depicted in this manual may differ from the actual product.

Contents

Introduction	3
Precautions.....	3
WARNING.....	3
CAUTION.....	3
GENERAL PRECAUTIONS	3
NOTICES	4
System requirements for PC.....	5

GETTING STARTED

System configuration	6
Package contents and dimensions	8
Master station.....	8
Sub station, call button, wall jack ...	8
Ceiling speaker, ceiling microphone	11
Corridor light, reset button	11
Software.....	13

MOUNTING

CONNECTION

Connection wiring diagram (outline)	18
Handling cables.....	20
Notes about handling cables	20
Connection wiring diagram (details)	21
Connecting to the master station..	21
Multiple-user room examples of using the ceiling speaker (NI-LB) and the ceiling microphone (NI-SB).....	22

Multiple-user room examples of using the ceiling speaker (NI-LB) and not using the ceiling microphone (NI-SB)	23
---	----

Multiple-user room examples of using the bedside handheld sub stations (NI-RC) etc.....	24
---	----

Examples of using the bathroom call buttons (NIR-7W or NIR-7HW).....	26
--	----

Single room examples of using the surface mount sub station (NI-BA).....	27
--	----

Examples of using the flush mount sub station (NI-JA)	28
---	----

Notes about connecting to a corridor light with nameplate (NIR-31, NIR-32, NIR-34)	29
--	----

SETUP AFTER INSTALLATION ...

Adjusting volume and ringtone settings	30
--	----

APPENDIX.....

Troubleshooting	31
Warranty.....	Back cover

Introduction

- The NIM system is a communication system designed for applications in facilities such as hospitals, office buildings, factories, schools, and prisons. Various types of equipment enable you to configure a system that meets your needs for not only general purpose internal communications, but also for calling and communication in health care or various commercial applications. This system also allows you to check the call history by connecting a PC installed with the specified application software.
- The NIM system is telecommunication equipment, not to be used as Medical Equipment.

Precautions

⊘ Prohibited

⊘ Do not dismantle unit

⊘ Keep unit away from water

ⓘ Be sure to follow the instruction

⚠ WARNING

Negligence could result in death or serious injury.

- ⊘ 1. Do not dismantle or alter the unit. Fire or electric shock could result.
- ⊘ 2. Keep the unit away from water or any other liquid. Fire or electric shock could result.
- ⊘ 3. High voltage is present internally. Do not open the case. Electric shock could result.
- ⓘ 4. For power supply, use Aiphone power supply model specified for use with system. If non-specified product is used, fire or malfunction could result.
- ⊘ 5. Do not connect any non-specified power source to the +, - terminals. Also, do not install two power supplies in parallel to a single input. Fire or damage to the unit could result.
- ⊘ 6. Do not connect any terminal on the unit to an AC power line. Fire or electric shock could result.
- ⊘ 7. Keep AC cord from being marred or crushed. If the AC cord is damaged, fire or electric shock could result.
- ⊘ 8. Do not plug or unplug unit with wet hands. Electric shock could result.
- ⊘ 9. Insert AC plug completely and securely into AC outlet. Otherwise, fire or electric shock could result.
- ⓘ 10. Periodically check for and remove dust on the power plug. If dust is left, it could cause the power plug to heat up, resulting in fire.
- ⊘ 11. Do not put any metal or flammable material into the unit through the openings. Fire, electric shock, or unit trouble could result.

⚠ CAUTION

Negligence could result in injury to people or damage to property.

- ⊘ 1. Do not install or make any wire terminations while power supply is plugged in. It can cause electrical shock or damage to the unit.
- ⓘ 2. When mounting the unit on a wall, install the unit in a convenient location, but not where it could be jarred or bumped. Injury could result.
- ⓘ 3. Before turning on power, make sure wires are not crossed or shorted. If not, fire or electric shock could result.
- ⊘ 4. Do not place or install the unit in the locations subject to frequent vibration or impact. If the unit falls, injury to people or damage to the unit could result.
- ⊘ 5. Do not put anything on the unit or cover the unit with cloth, etc. Fire or unit trouble could result.

- ⊘ 6. Do not install the unit in any of the following locations. Fire, electric shock, or unit trouble could result.
 - * Places under direct sunlight or near heating equipment that varies in temperature.
 - * Places subject to dust, oil, chemicals, hydrogen sulfide (hot spring).
 - * Places subject to moisture and humidity extremes, such as bathrooms, cellars, greenhouses, etc.
 - * Places where the temperature is quite low, such as inside a refrigerated area or in front of an air conditioner.
 - * Places subject to steam or smoke (near heating or cooking surfaces).
 - * Where noise generating devices such as dimmer switches or inverter electrical appliances are closeby.
 - * Locations subject to frequent vibration or impact.
 - * Locations subject to extremely powerful electric fields.
- ⓘ 7. Be sure to perform a call test or check the chime volume with the handset on the hook. If you operate the hook switch with the handset on your ear, a sudden call etc. may cause damage to your ear.
- ⓘ 8. The unit must be installed and wired by a qualified technician.

GENERAL PRECAUTIONS

1. Keep the unit more than 1 m (3.3') away from radio or TV sets.
2. Keep the intercom wires more than 30cm (12") away from AC 100-240V wiring. AC induced noise and/or unit malfunction could result.
3. Comply with all third party manufacturing specifications that will be used with this system.
4. If it is used close to a cellular phone, the unit may malfunction.
5. The unit can be damaged if dropped. Handle with care.
6. The unit will not work during power failure.
7. In areas where broadcasting station antennas are close by, the intercom system may be affected by radio frequency interference.
8. All the units, except for Sub station, flush mount (NI-JA), are designed for indoor use only. Do not use at outdoor locations.
9. Environmental sound around the unit may hinder clear communication, but this is not a malfunction.
10. Using a mobile phone or professional-use radio equipment such as walkie-talkie close to the system may cause a malfunction.

NOTICES

- We will under no conditions be liable for damage that occurs due to the inability to communicate due to malfunctions, problems, or operational errors in this product.
- We will under no conditions be liable for any damages or losses resulting from this product's contents or specifications.
- This manual was created by Aiphone Co., Ltd., all rights reserved. Copying a part of or this entire manual without prior permission from Aiphone Co., Ltd. is strictly forbidden.
- Please note that images and illustrations depicted in this manual may differ from the actual ones.
- Please note that product specifications may be changed for the sake of improvement without prior notice.
- This system is not intended for life support or crime prevention. It is just a supplementary means of conveying information. Aiphone will under no conditions be liable for loss of life or property which occurs while the system is being operated.

System requirements for PC

Your PC must meet the following system requirements to use the NI-SOFT.
Also refer to the instruction manual supplied with your PC.

OS (English ver. only)	Windows 7 Home Premium/Professional/Ultimate (Service Pack 1, 32/64bit) Windows 8.1/Pro (32/64bit)
Processor	2.7 GHz or higher
System memory (RAM)	2 GB RAM or higher
Hard disk	Total 100 MB or higher (*1)
Run-time	Microsoft® .NET Framework 4.5 (*2)
Display	1024 (W) x 768 (H) or higher, 16-bit or more
Serial port	RS-232C, D-sub 9-pin
Fonts	Arial

(*1): If the software is to be installed onto a drive other than C: drive, both the C: drive and the installation drive each require 50 MB or more of memory.

(*2): If the specified Run-time is not installed on the PC, it will be installed automatically when installing the NI-SOFT.



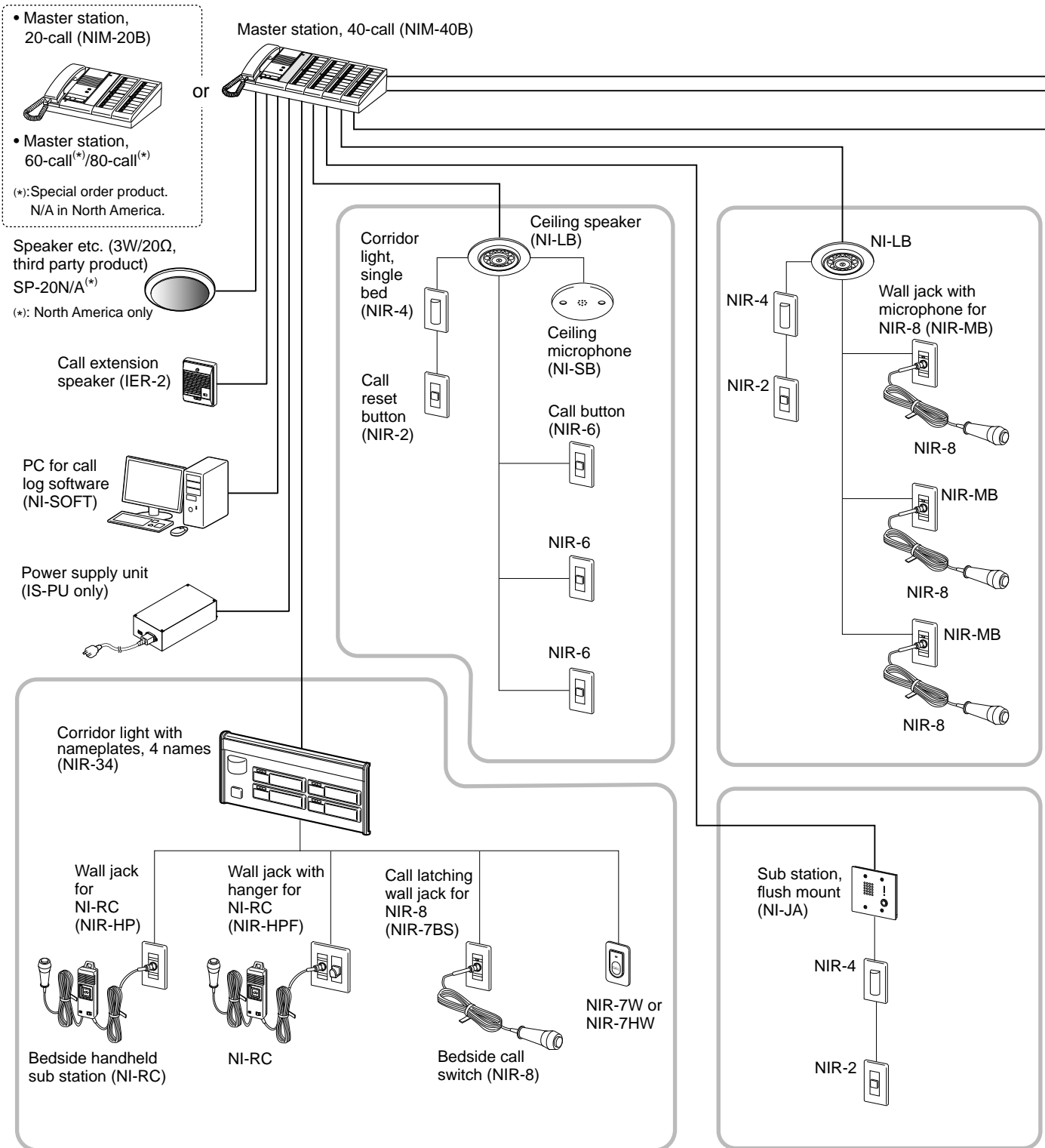
- The NI-SOFT may not run, or may not operate correctly (such as freezes occurring) on a PC with specifications below the necessary requirements.
- We recommend using a PC and CD-ROM/DVD-ROM drive that exceed the basic system requirements.
- The PC should be operable 24 hours a day.
- Refer to the NI-SOFT operation manual included in the CD-ROM of the NI-SOFT for the setting method of the NI-SOFT.

Microsoft and Windows are either registered trademarks or trademarks of Microsoft Corporation in the United States and/or other countries.

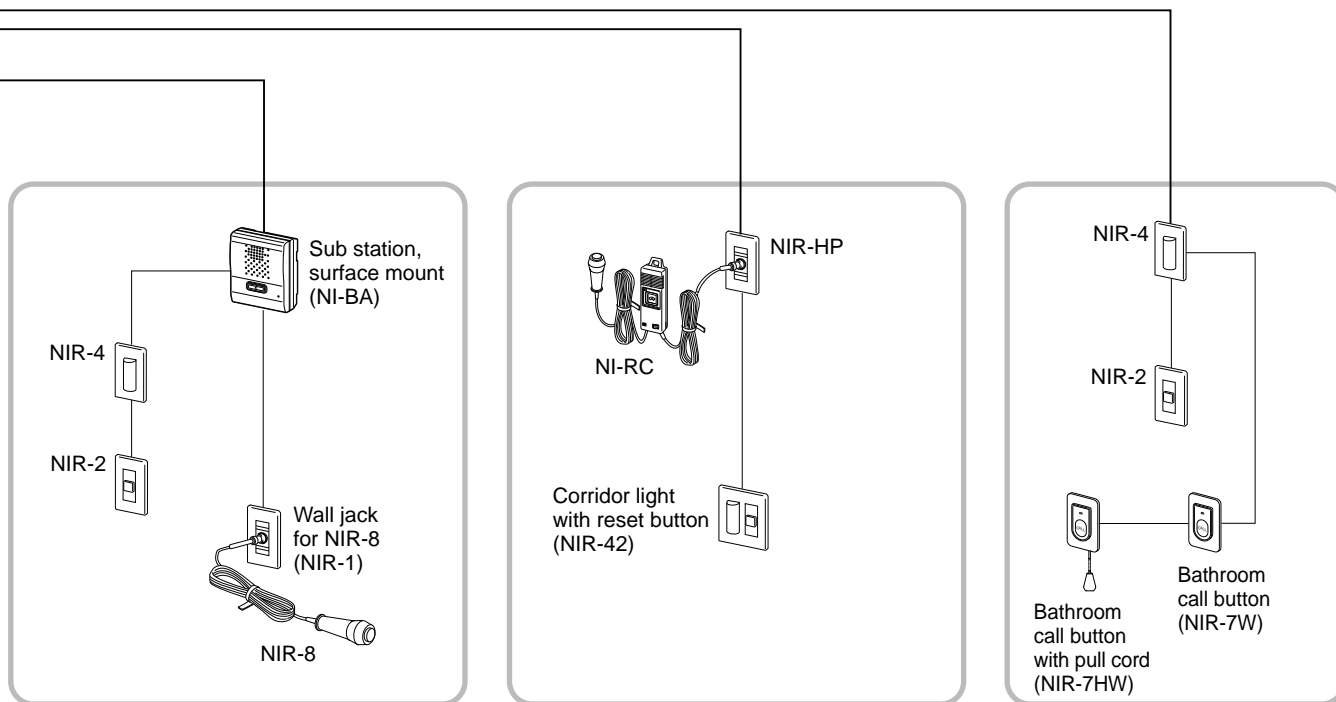
GETTING STARTED

System configuration

The following is a system configuration example. You can select needed equipment to configure a system to meet your application needs.



NOTE: The above example may differ from actual product.



■ Maximum number of stations in a single system

The maximum number of sub stations differs depending on the master station model.

Master station		Sub station (Qty)	Personal computer (Qty)
Model	Qty		
NIM-20B	1	20	1
NIM-40B	1	40	1
Master station, 60-call ^(*)	1	60	1
Master station, 80-call ^(*)	1	80	1

(*): Special order product.
N/A in North America.

■ Communication methods

The following two methods are available on the master station.

Method	Communication style	Description
Using handset	Voice-actuated communication	The communication mode is VOX, half duplex. When speaking into the handset, voice is transmitted to the other station. When listening, the voice from the remote station is heard through the handset.
Hands-free	Push-to-talk	To speak, press and hold the TALK button. To listen, release the TALK button.

Package contents and dimensions

Verify that the following parts are included for each product package.

* Dimensions are shown in millimeters (inches).

Master station

■ Master station, 20-call (NIM-20B)

■ Master station, 40-call (NIM-40B)

* Master station, 60-call^(*) or Master station, 80-call^(*) is also available.

(*): Special order product.
N/A in North America.

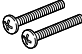
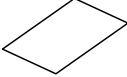
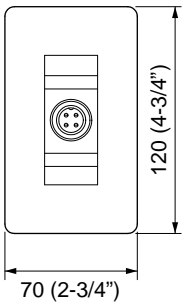
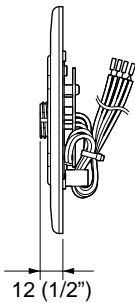
Main unit			
NIM-20B (Front)	NIM-40B (Front)	(Side)	
Room number plate	Nameplate	Installation manual/ Operation manual	Chinese RoHS paper
 NIM-20B: 2pcs. NIM-40B: 4pcs. Master station, 60-call: 6pcs. Master station, 80-call: 8pcs.	 NIM-20B: 22pcs. NIM-40B: 44pcs. Master station, 60-call: 66pcs. Master station, 80-call: 88pcs.		

Sub station, call button, wall jack

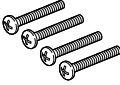
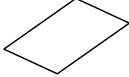
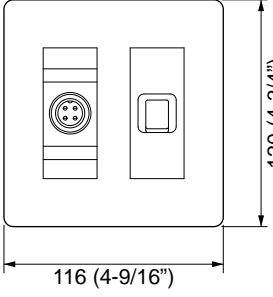
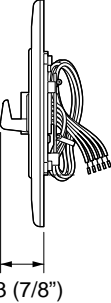
■ Bedside handheld sub station (NI-RC)

Main unit	Hanging bracket
<p>(Front)</p> <p>(Side)</p> <p>ø36 (1-7/16\"/> 95 (3-3/4\"/> 171.5 (6-3/4\"/> Cord: Approx. 1.4m (4.6') Cord: Approx. 1.5m (5')</p>	<p>(Front)</p> 81 (3-3/16\"/> Approx. 30 (1-3/16\"/> <p>(Side)</p>
Chinese RoHS paper	



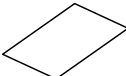
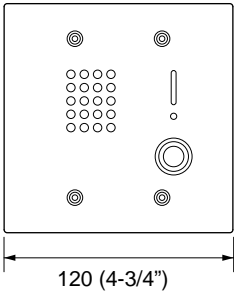
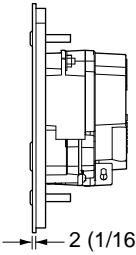
■ Wall jack for NI-RC (NIR-HP)

Main unit		Screw (x2)
(Front)	(Side)	 Chinese RoHS paper 
		

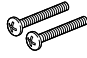

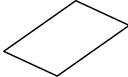


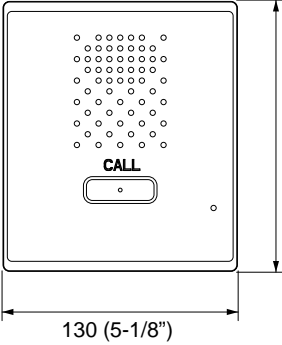
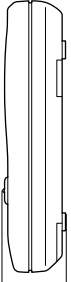
■ Wall jack with hanger for NI-RC (NIR-HPF)

Main unit		Screw (x4)
(Front)	(Side)	 Chinese RoHS paper 
		

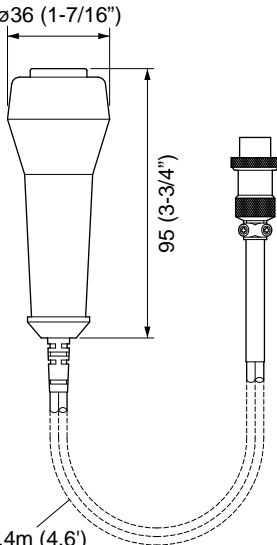
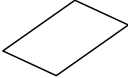
■ Sub station, flush mount (NI-JA)

Main unit		Screw (x4)
(Front)	(Side)	 Hexagonal wrench  Chinese RoHS paper 
		

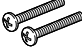
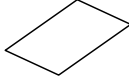
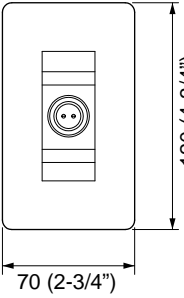
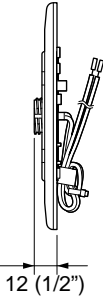
■ Sub station, surface mount (NI-BA)

Main unit		Screw (x2)	Wood screw (x2)
(Front)	(Side)	 Mounting bracket  Chinese RoHS paper 	 Rubber foot (x4) 
			

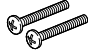
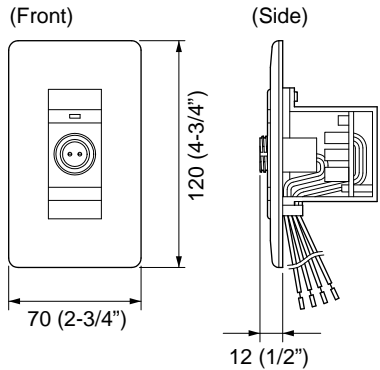
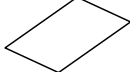
■ Bedside call switch (NIR-8)

Main unit	Chinese RoHS paper
 <p>Cord: Approx. 1.4m (4.6')</p>	


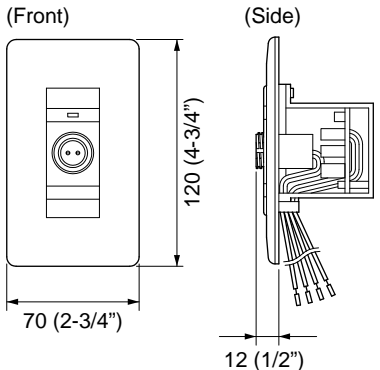
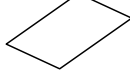
■ Wall jack for NIR-8 (NIR-1)

Main unit		Screw (x2)
(Front)	(Side)	 Chinese RoHS paper 
		

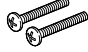
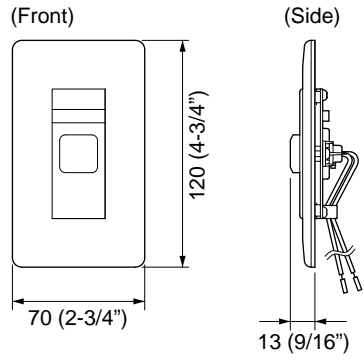
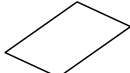
■ Wall jack with microphone for NIR-8 (NIR-MB)

Main unit		Screw (x2)
(Front)	(Side)	
		Chinese RoHS paper
		

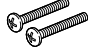
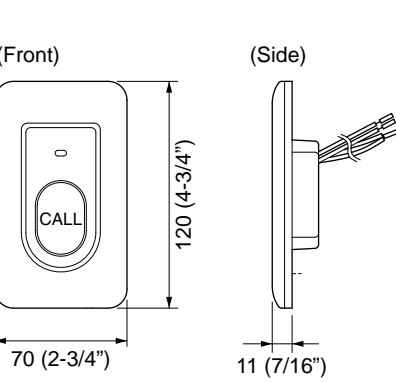

■ Call latching wall jack for NIR-8 (NIR-7BS)

Main unit		Screw (x2)
(Front)	(Side)	
		Chinese RoHS paper
		


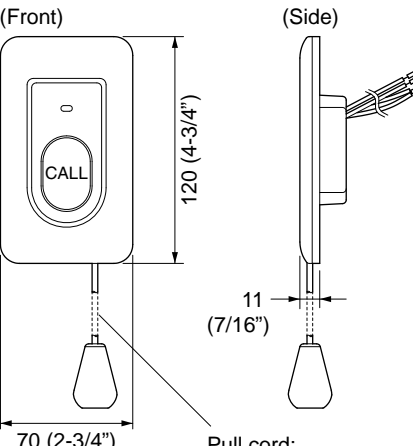
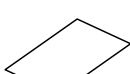
■ Call button (NIR-6)

Main unit		Screw (x2)
(Front)	(Side)	
		Chinese RoHS paper
		

■ Bathroom call button (NIR-7W)

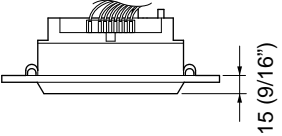
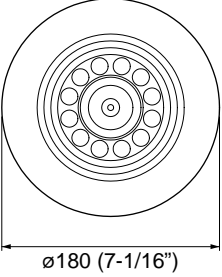
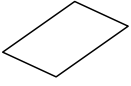
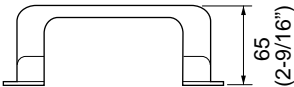
Main unit		Screw (x2)
(Front)	(Side)	
		Chinese RoHS paper
		

■ Bathroom call button with pull cord (NIR-7HW)

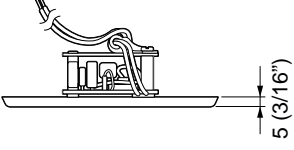
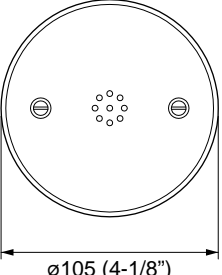
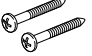
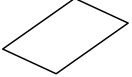
Main unit		Screw (x2)
(Front)	(Side)	
		Chinese RoHS paper
		
<p>Pull cord: Approx. 550 (21-5/8")</p>		

Ceiling speaker, ceiling microphone

■ Ceiling speaker (NI-LB)

Main unit	Chinese RoHS paper
<p>(Side)</p>  <p>15 (9/16")</p> <p>(Front)</p>  <p>∅180 (7-1/16")</p>	
Holder	
<p>(Side)</p>  <p>65 (2-9/16")</p>	

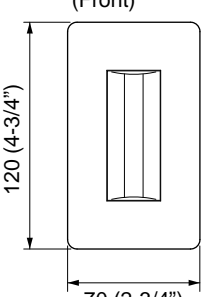
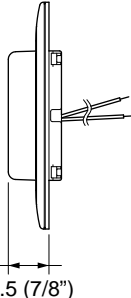
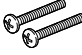
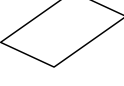
■ Ceiling microphone (NI-SB)

Main unit	Wood screw (x2)
<p>(Side)</p>  <p>5 (3/16")</p> <p>(Front)</p>  <p>∅105 (4-1/8")</p>	
	Chinese RoHS paper
	

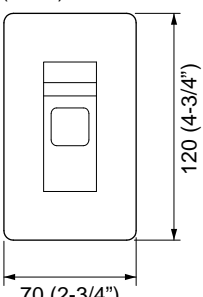
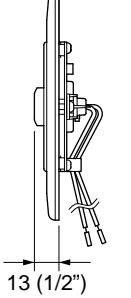
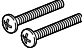
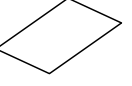
Corridor light, reset button

■ Corridor light, single bed (NIR-4)

■ Corridor light, multiple beds (NIR-4S)

Main unit	Screw (x2)
<p>(Front)</p>  <p>120 (4-3/4")</p> <p>70 (2-3/4")</p> <p>(Side)</p>  <p>21.5 (7/8")</p>	
	Chinese RoHS paper
	

■ Call reset button (NIR-2)

Main unit	Screw (x2)
<p>(Front)</p>  <p>120 (4-3/4")</p> <p>70 (2-3/4")</p> <p>(Side)</p>  <p>13 (1/2")</p>	
	Chinese RoHS paper
	

■ Corridor light with reset button (NIR-42)

Main unit	Screw (x4)
	Chinese RoHS paper

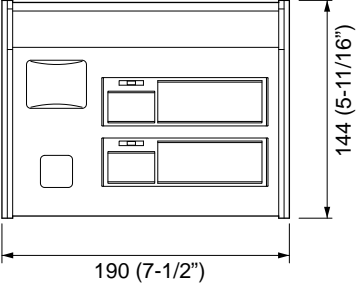
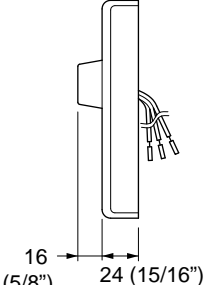
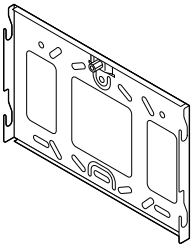
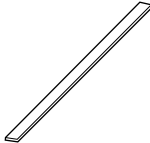
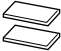

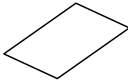
■ Corridor light with buzzer (NIR-4BZ)

Main unit	Screw (x4)
	Chinese RoHS paper

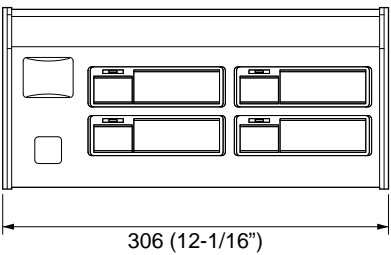
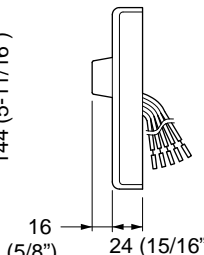
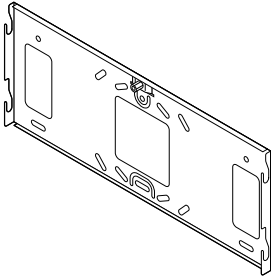
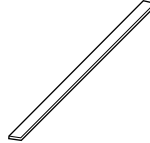

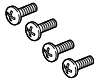
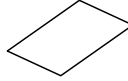
■ Corridor light with nameplate, 1 name (NIR-31)

Main unit	Mounting bracket	Room number plate	Nameplate
	Screw (x4)	Chinese RoHS paper	

■ Corridor light with nameplates, 2 names (NIR-32)

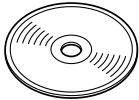
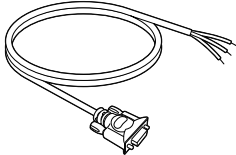
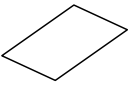
Main unit	Mounting bracket	Room number plate	Nameplate (x2)
<p>(Front)</p>  <p>(Side)</p> 			
	Screw (x4)	Chinese RoHS paper	
			

■ Corridor light with nameplates, 4 names (NIR-34)

Main unit	Mounting bracket	Room number plate	Nameplate (x4)
<p>(Front)</p>  <p>(Side)</p> 			
	Screw (x4)	Chinese RoHS paper	
			

Software

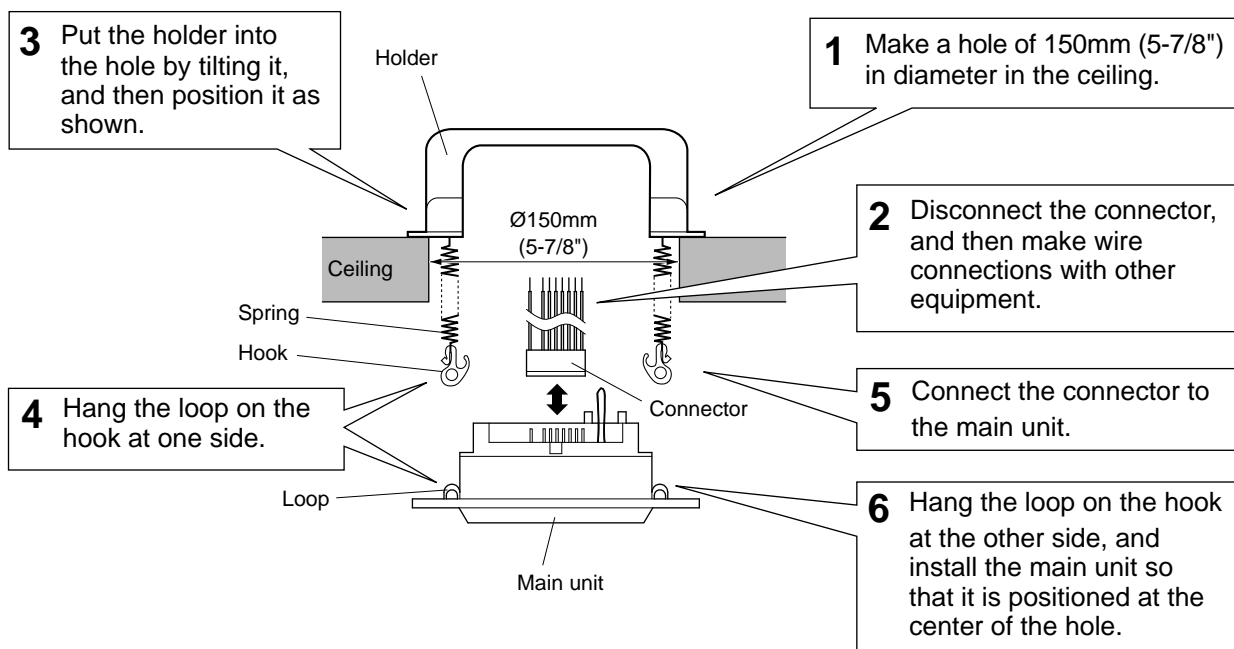
■ Call log software (NI-SOFT)

CD-ROM	RS232C cable	Product Key code paper/ Chinese RoHS paper
		

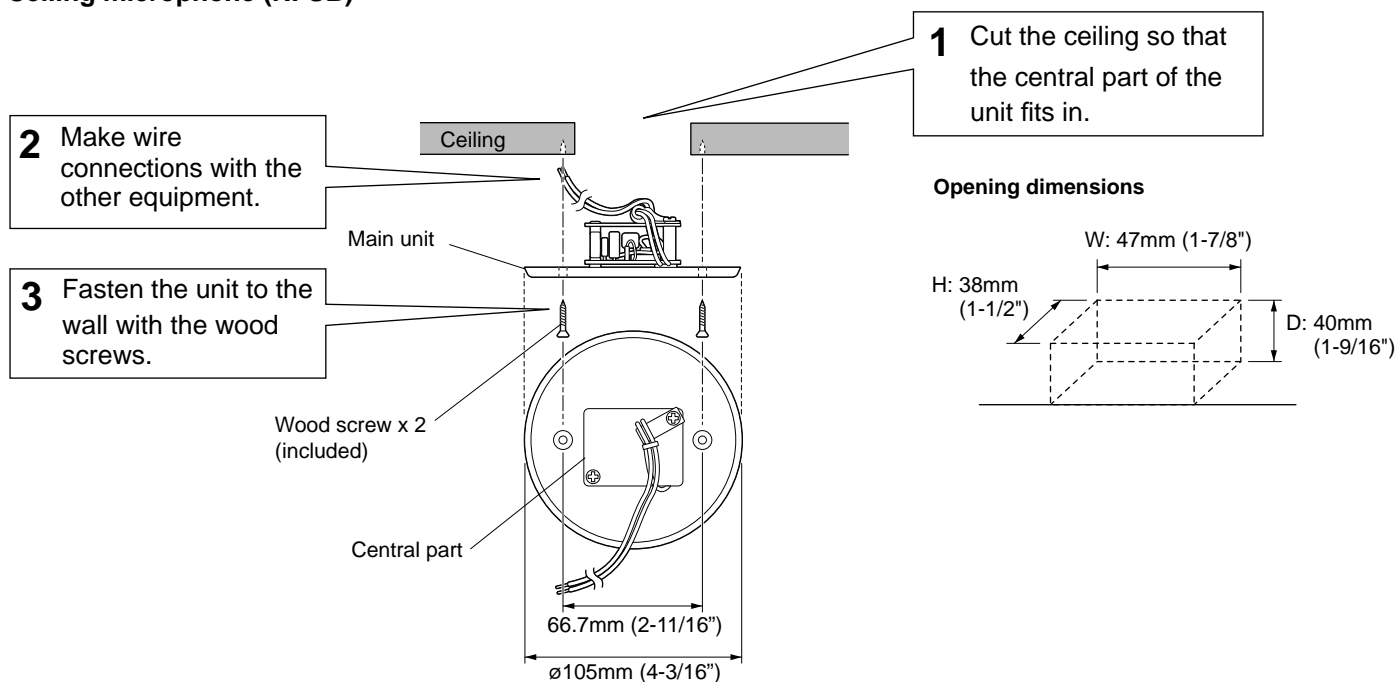
MOUNTING

This section illustrates the mounting procedures for wall- and ceiling-mount equipment.

■ Ceiling speaker (NI-LB)



■ Ceiling microphone (NI-SB)



NOTE:

- Make sure to mount the ceiling microphone 50 cm (20") apart from the ceiling speaker to prevent audio feedback.
- Pay attention to the depth of the unit.
- Use board anchors or concrete plugs as needed on a concrete wall.

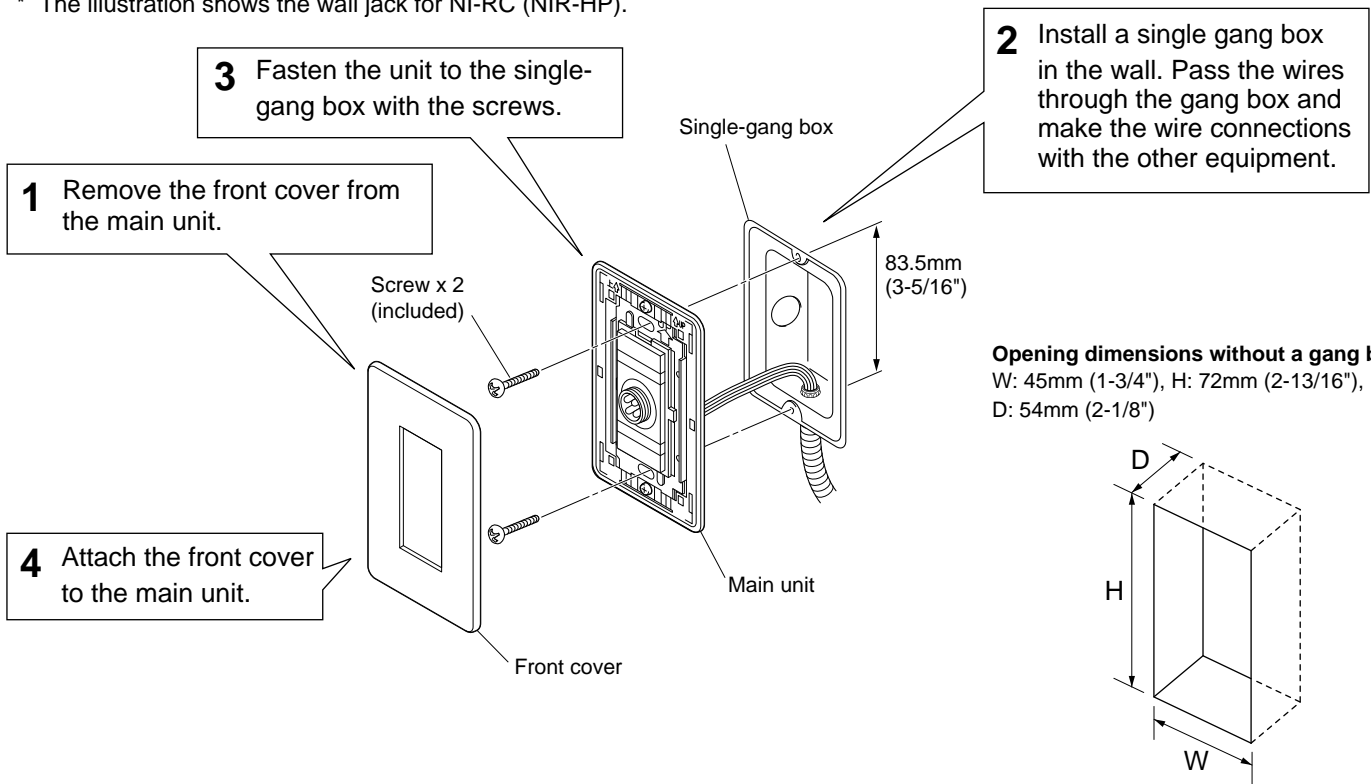
Wall jack (NIR-HP, NIR-1, NIR-MB, NIR-7BS)

Call button (NIR-6)

Corridor light (NIR-4, NIR-4S)

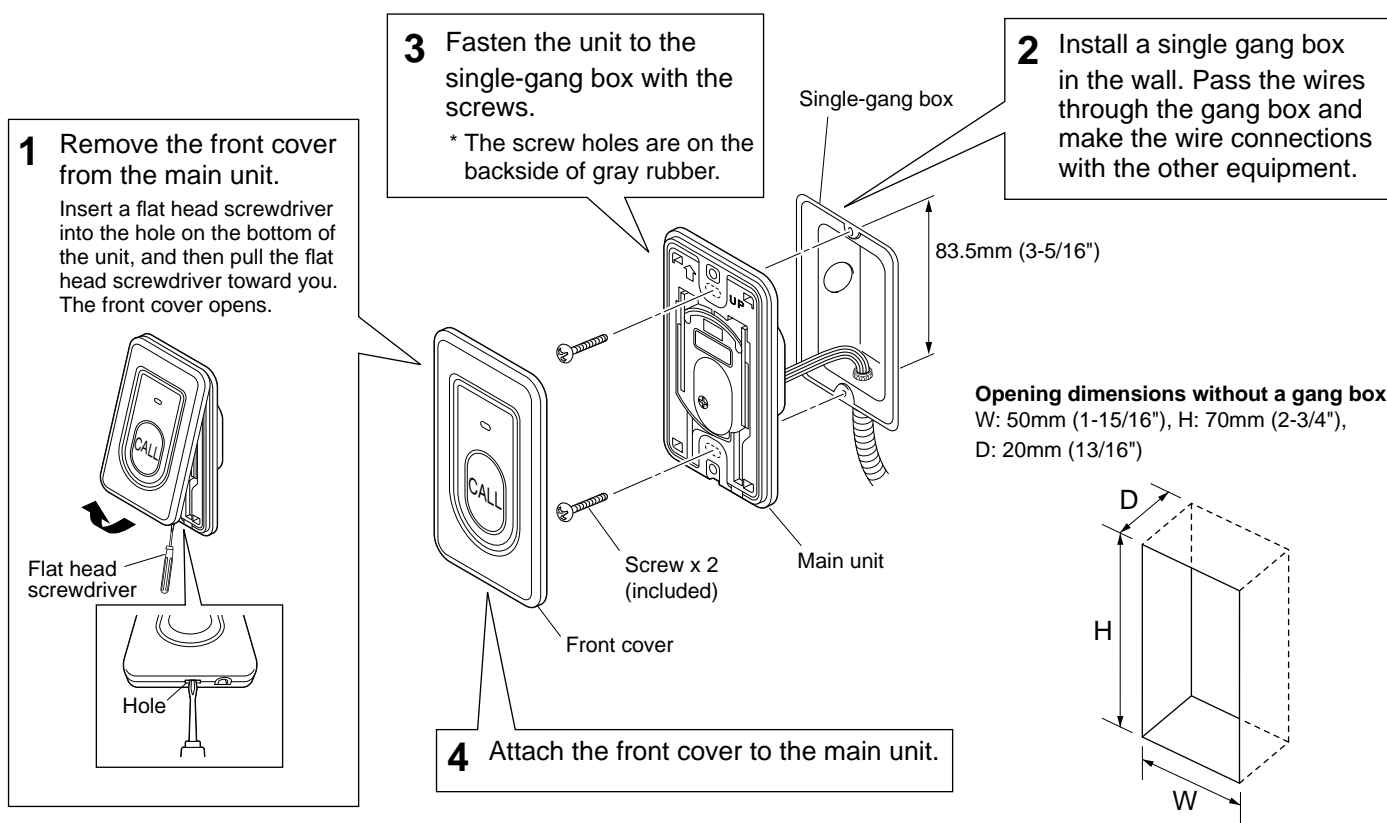
Call reset button (NIR-2)

* The illustration shows the wall jack for NI-RC (NIR-HP).



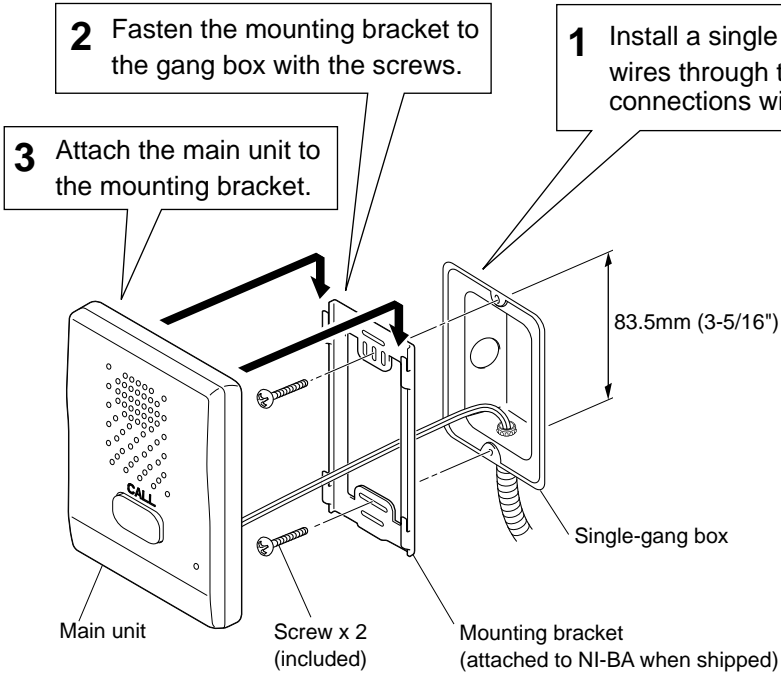
Bathroom call button (NIR-7W, NIR-7HW)

* The illustration shows the bathroom call button (NIR-7W).



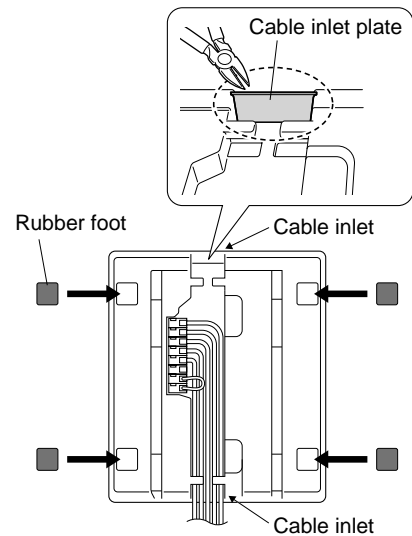
■ Sub station, surface mount (NI-BA)

* When mounting NI-BA on a wall, follow the procedure shown below.

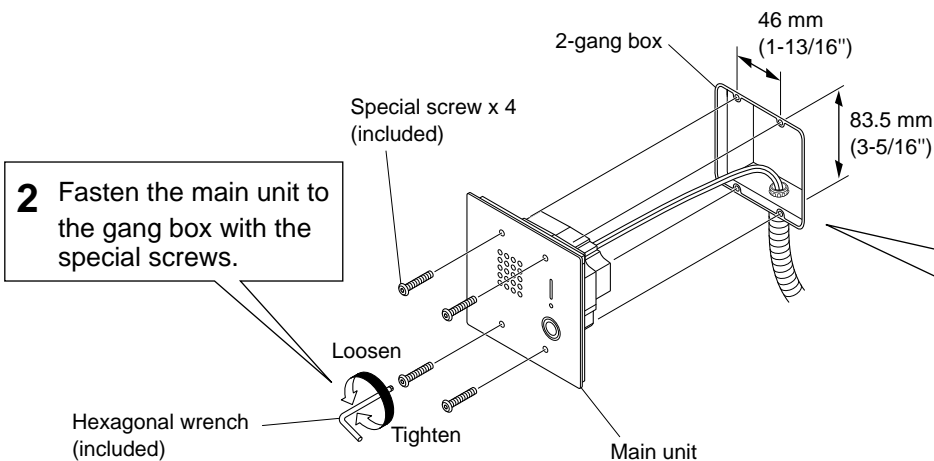


When setting NI-BA on a desk

- Attach the included 4 rubber feet on the back of NI-BA.
 - Route the wires through the cable inlet at the upper or lower part of NI-BA.
- * When routing the wires at the upper part, remove the cable inlet plate to allow passage of the wires.

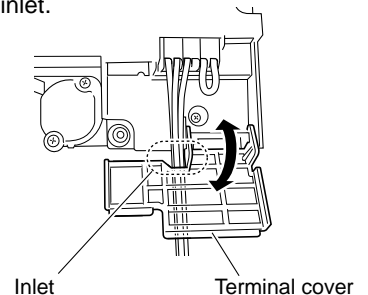


■ Sub station, flush mount (NI-JA)



- 1 Install a 2 gang box in the wall. Pass the wires through the gang box and make the wire connections with the terminal cover open.

* Be sure to route the wires through inlet.

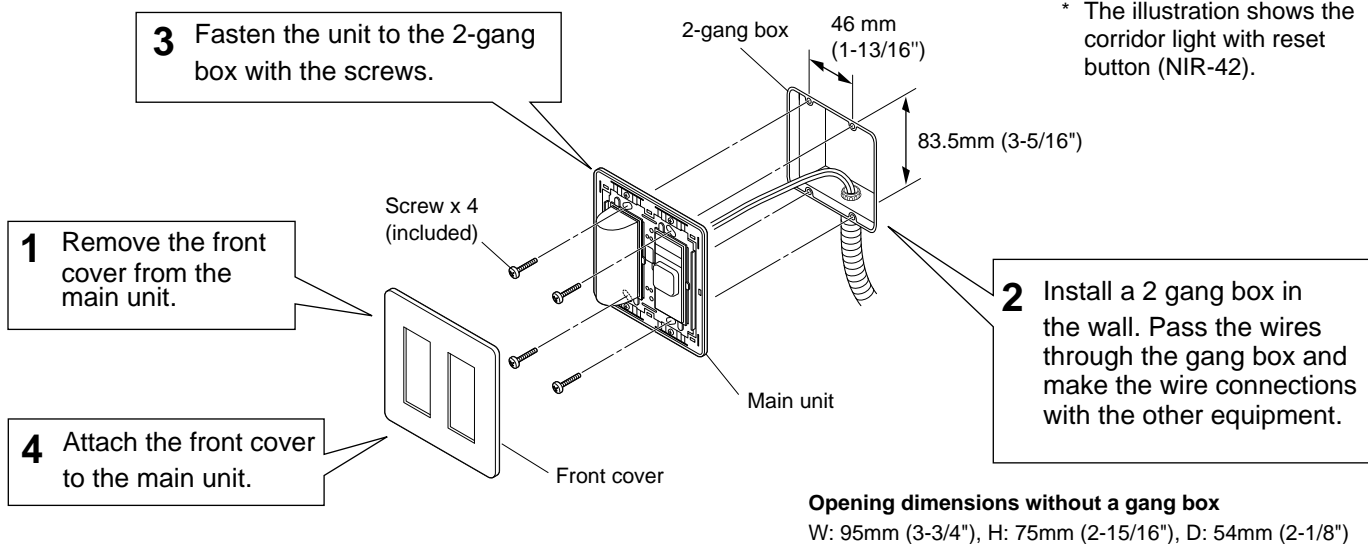


Opening dimensions without a gang box

W: 90mm (3-9/16"), H: 73mm (2-7/8"), D: 54mm (2-1/8")

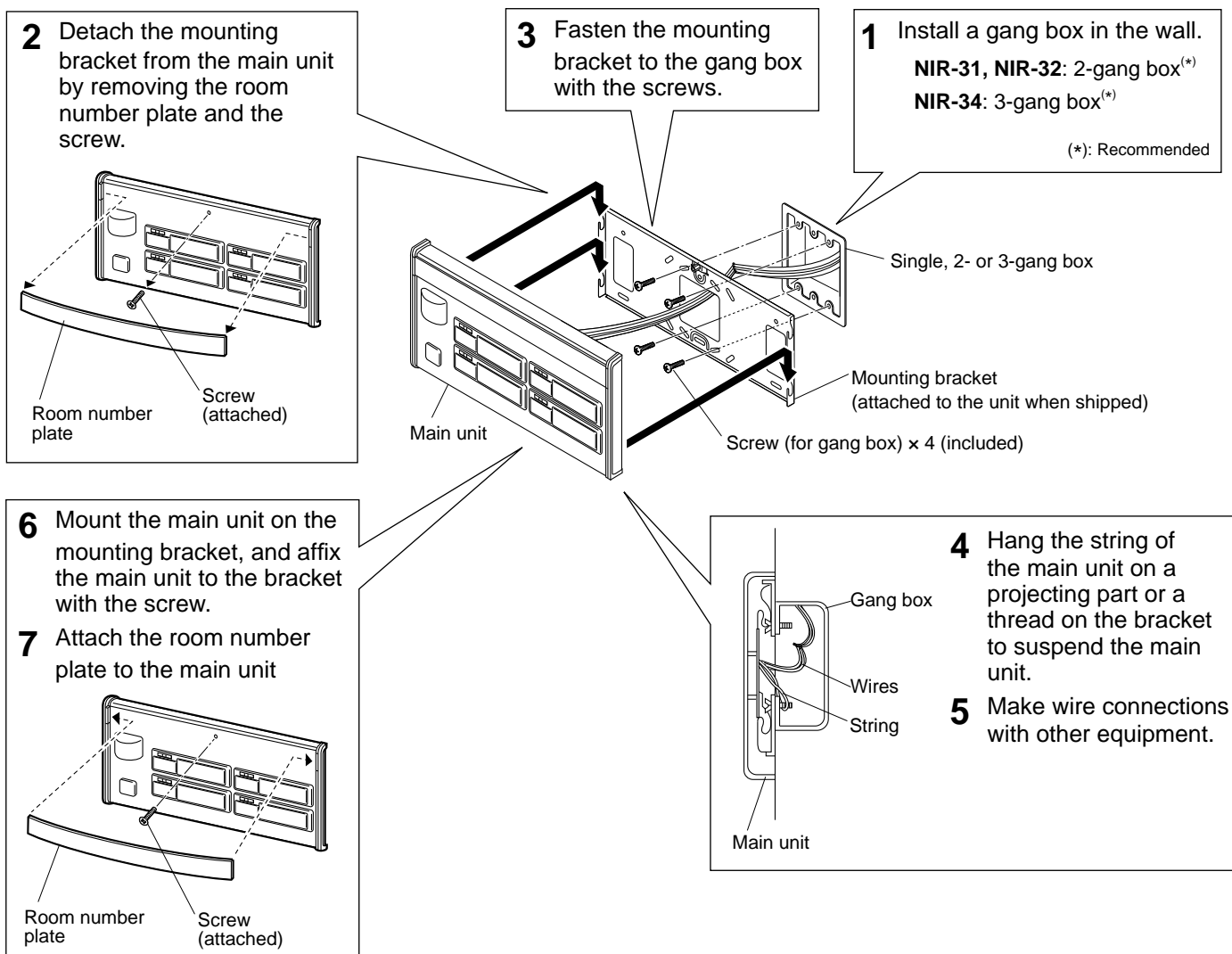
■ Wall jack (NIR-HPF)

Corridor light (NIR-42, NIR-4BZ)



■ Corridor light with nameplate (NIR-31, NIR-32, NIR-34)

* The illustration shows the corridor light with nameplates, 4 names (NIR-34).

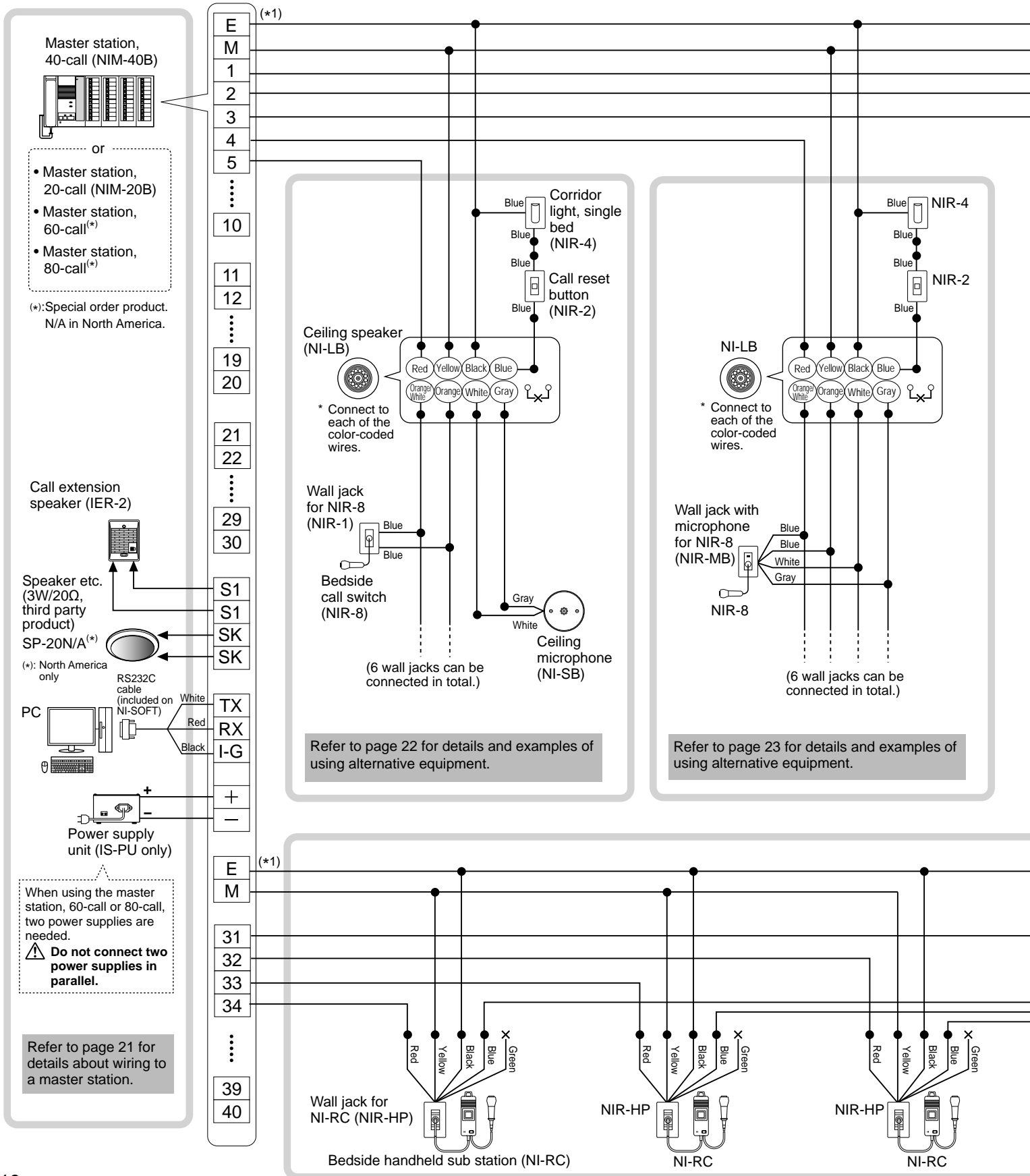


CONNECTION

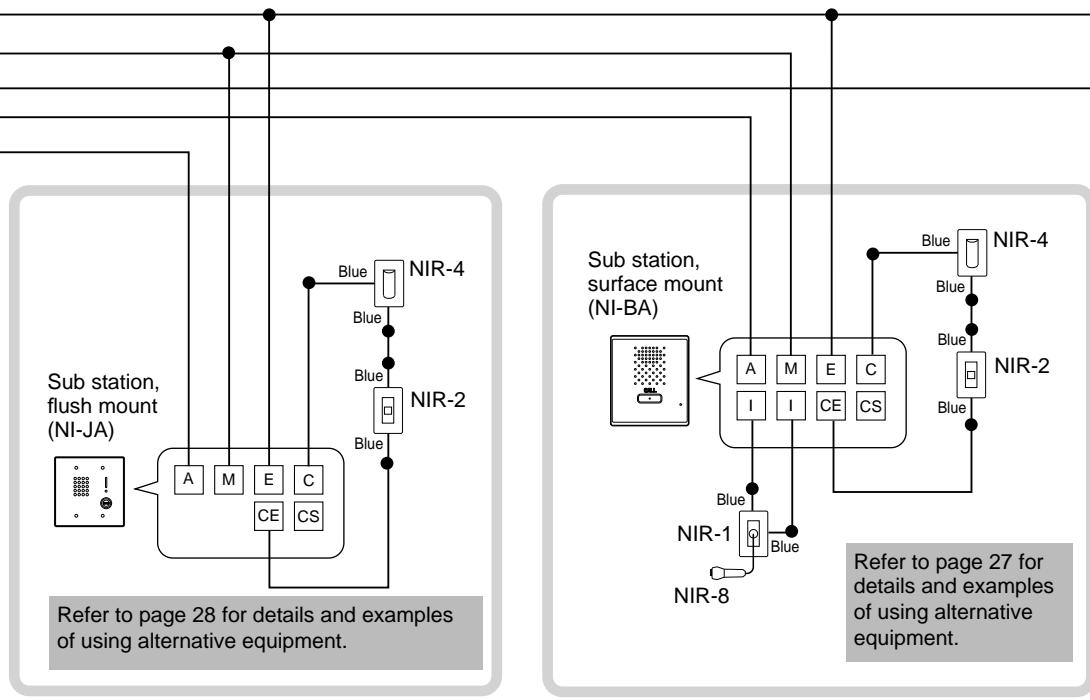
Connection wiring diagram (outline)

The following is an example of basic wiring diagram.

* The wiring methods differ depending on the equipment used. Refer to page 20 to 29 for details about various wiring methods.



- (*1): • The common line [E] and individual channel lines should be in the same sheath wiring.
- The remainder wires in the same sheath wiring should be connected to the common line [E] of the master station for noise prevention.



■ Wiring distance

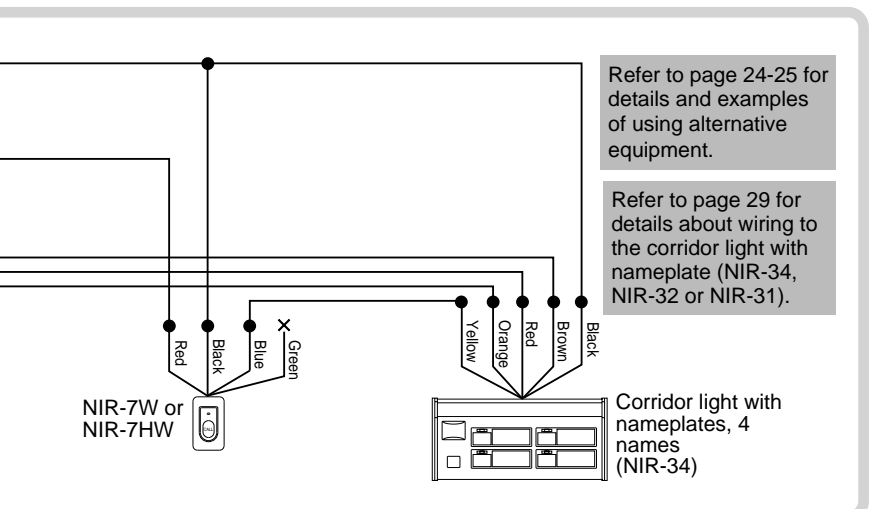
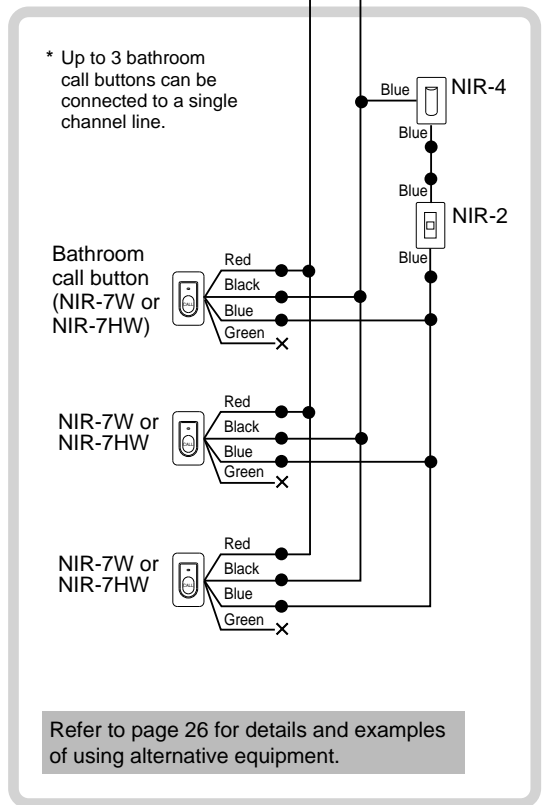
	Wire diameter	Maximum distance
Master station - sub station	Ø0.65mm (22 AWG)	130m (425')
	Ø0.9mm (18 AWG)	200m (650')
Master station - power supply unit	Ø0.9mm (18 AWG)	10m (33')
Master station - call extension speaker (IER-2), speaker etc.	Ø0.9mm (18 AWG)	50m (165')

■ Master station terminal marking

- [E] : Common line (for earth ground)
- [M] : Common line (for microphone)
- [1]...[10], [11]... : Individual channel line

■ Meanings of symbols

- : Wire-to-wire connection
- ✕ : The wire should be cut and insulated.



Handling cables

Notes about handling cables

* Cables and connectors are not included with the products.

■ Notes on cables

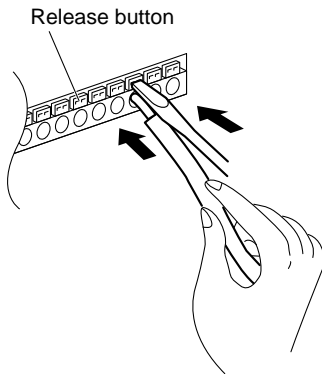
- Use PE (polyethylene)-insulated PVC jacketed cable. Parallel or jacketed conductors, mid-capacitance, non-shielded cable is recommended.
- Never use twisted pair cable or coaxial cable.



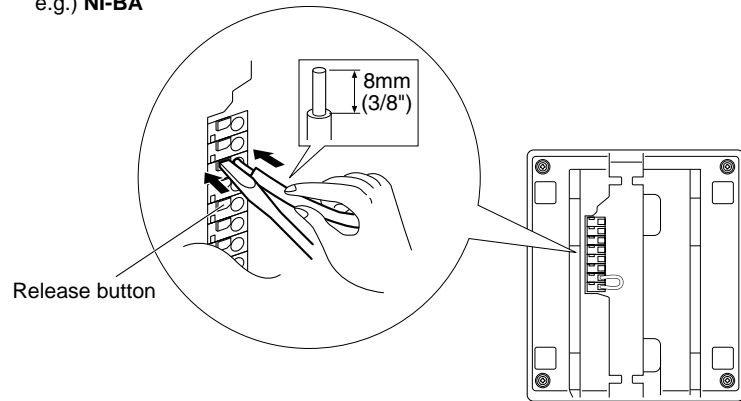
■ How to connect or disconnect stranded wires.

- To ensure that the wire won't bend, press the release button while inserting into terminal.

e.g.) NIM-40B

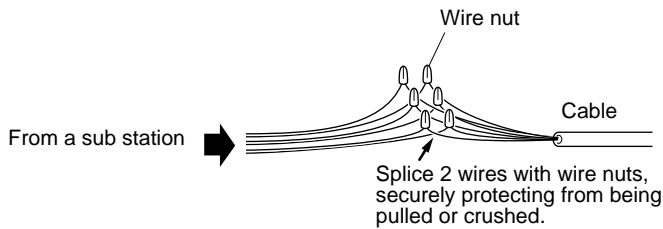


e.g.) NI-BA



■ Note about wire-to-wire connection.

Make wire-to-wire connections securely as shown below.

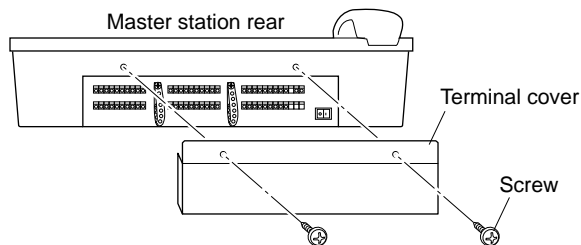


Connection wiring diagram (details)

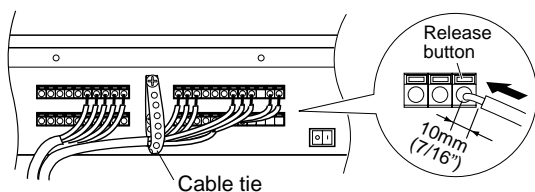
Connecting to the master station

Procedure

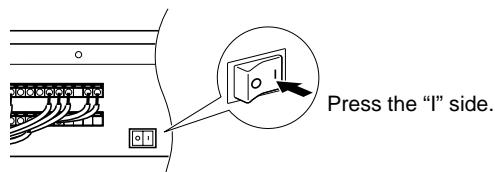
- 1 Detach the terminal cover by removing the two screws.



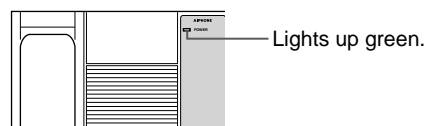
- 2 Connect the wiring from the sub stations and power supply to the master station by inserting lead wires to the corresponding terminals. Using the cable tie is recommended for secure installation.



- 3 After the connections for the whole system have been completed, turn on the power switch.



The power indicator on the operation panel lights up.

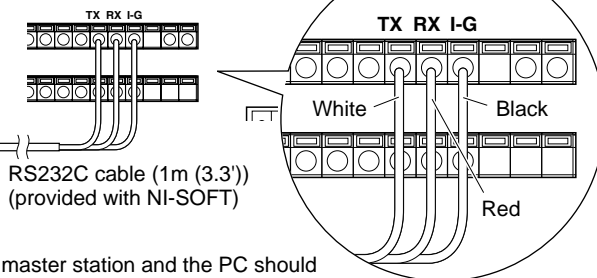
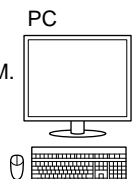


- 4 Attach the terminal cover with the two screws.

Note about connecting a PC to the master station.

Use the included RS232C cable for the connection.

- * Install NI-SOFT on the PC from the included CD-ROM. Refer to the instruction manual for NI-SOFT for details.



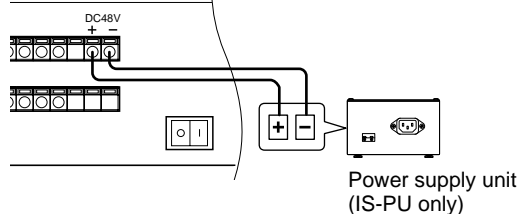
- * When extending the RS232C cable, the distance between the master station and the PC should be 15m (50') or less.

CAUTION

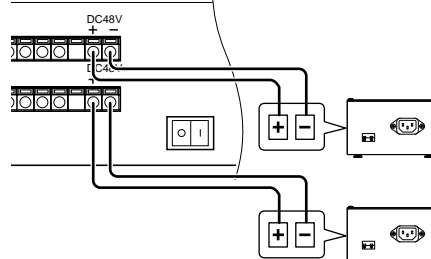
Note about connecting the power supply unit(s) to the master station.

- * When using the master station, 60-call or 80-call, two power supply units are needed.

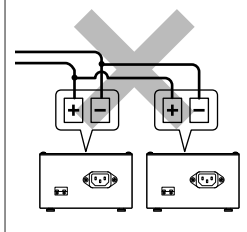
NIM-20B/NIM-40B



Master station, 60-call/80-call



Do not connect the two power supply units in parallel.

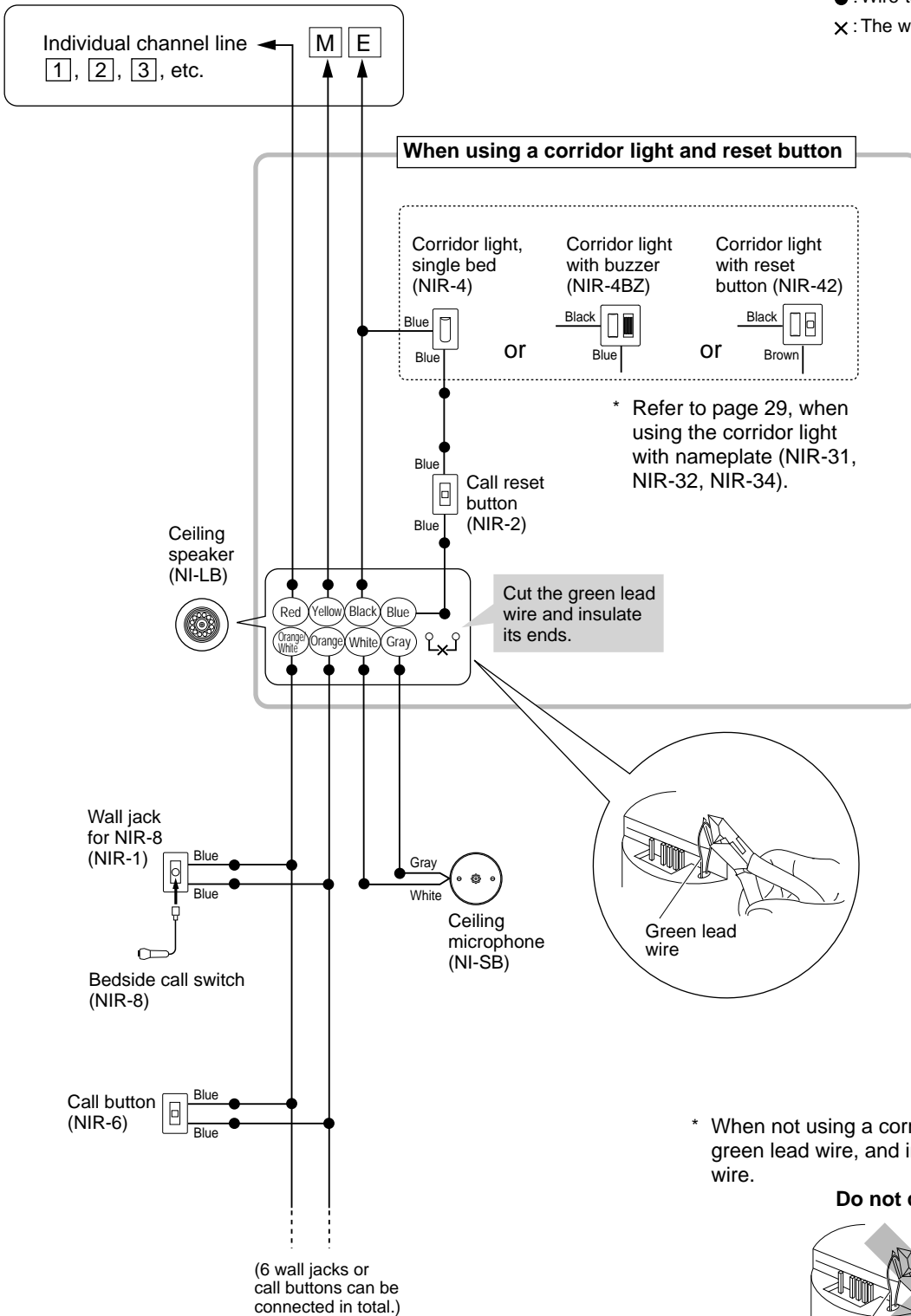


Multiple-user room examples of using the ceiling speaker (NI-LB) and the ceiling microphone (NI-SB)

Master station

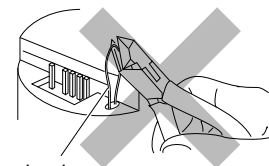
■ Meanings of symbols

- : Wire-to-wire connection
- ✕ : The wire should be cut and insulated.



* When not using a corridor light, do not cut the green lead wire, and insulate the blue lead wire.

Do not cut.



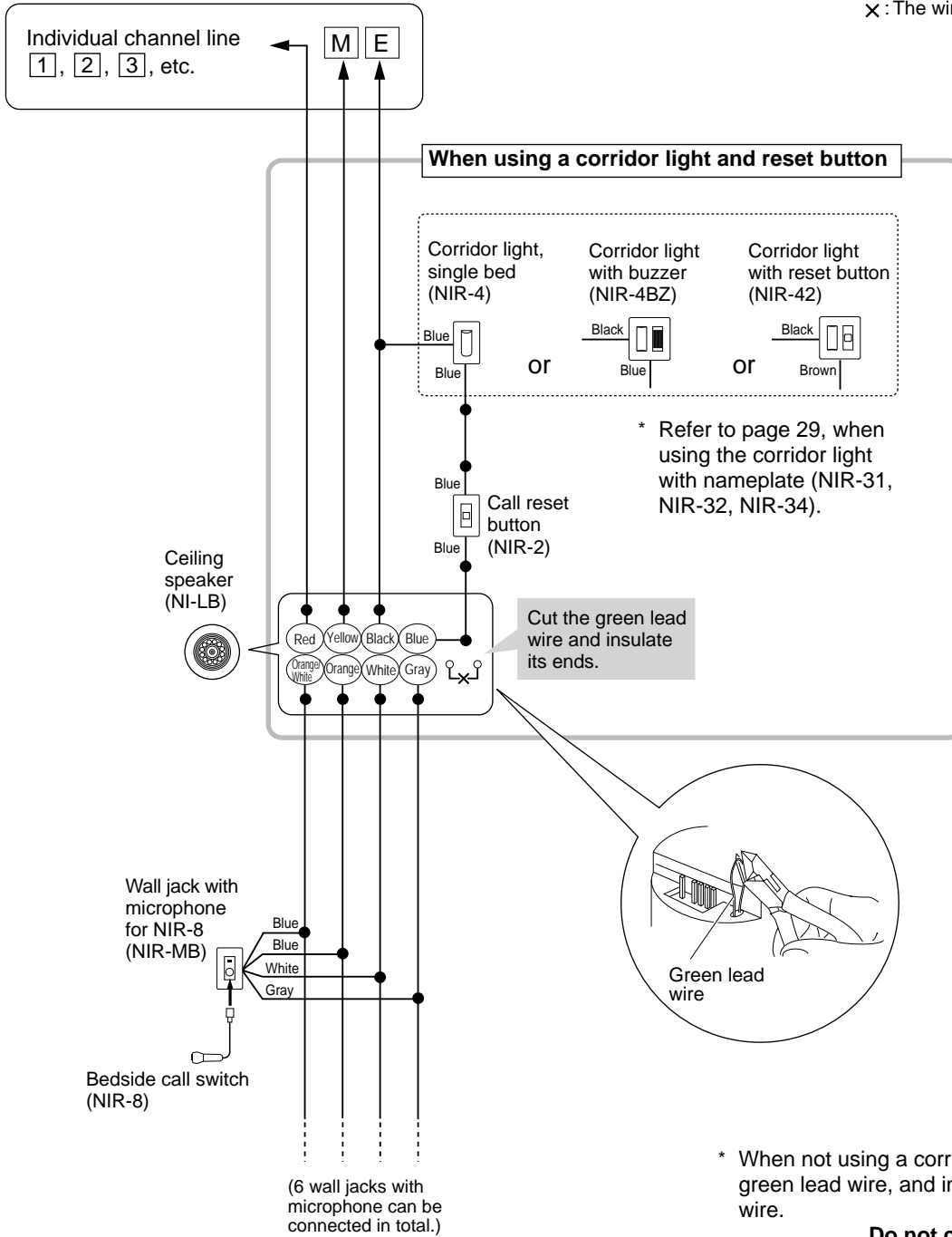
Green lead wire

Multiple-user room examples of using the ceiling speaker (NI-LB) and not using the ceiling microphone (NI-SB)

■ Meanings of symbols

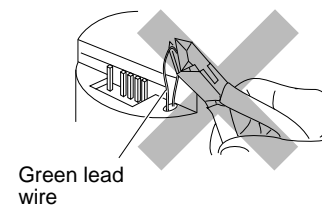
- : Wire-to-wire connection
- ✕ : The wire should be cut and insulated.

Master station



* When not using a corridor light, do not cut the green lead wire, and insulate the blue lead wire.

Do not cut.

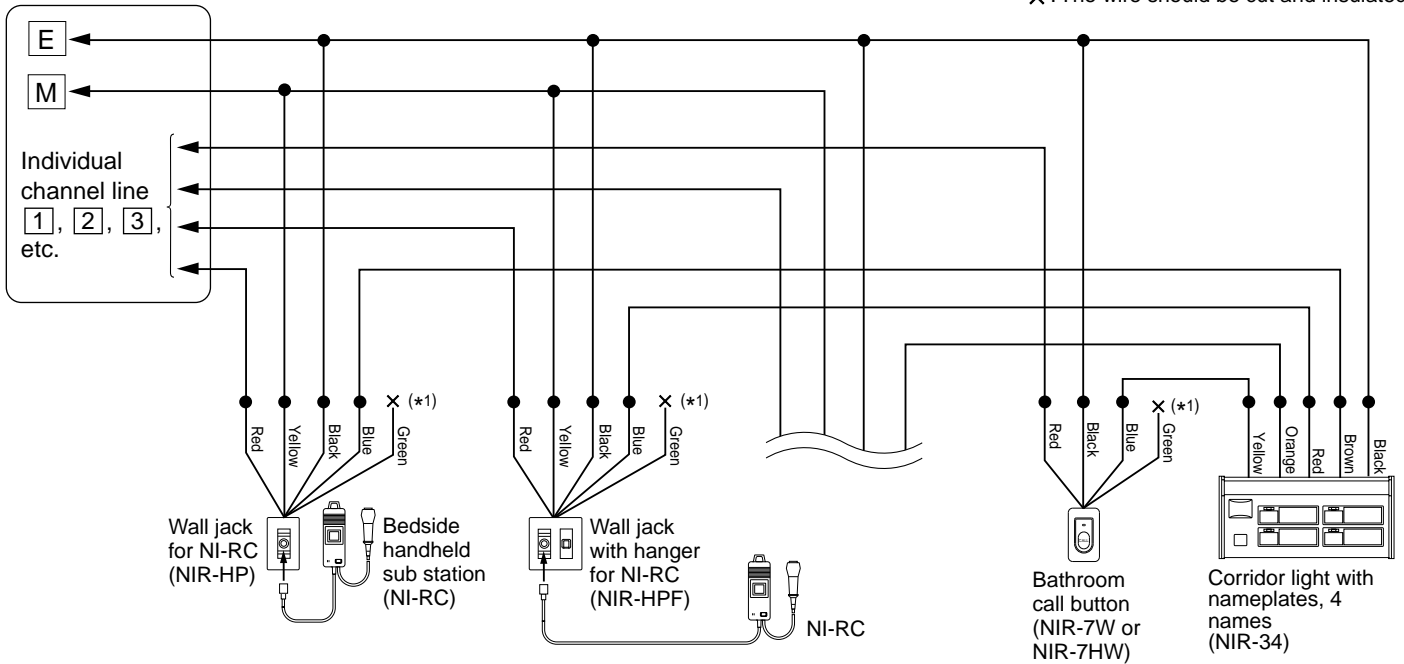


Multiple-user room examples of using the bedside handheld sub stations (NI-RC) etc.

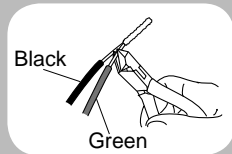
■ Meanings of symbols

- : Wire-to-wire connection
- × : The wire should be cut and insulated.

Master station



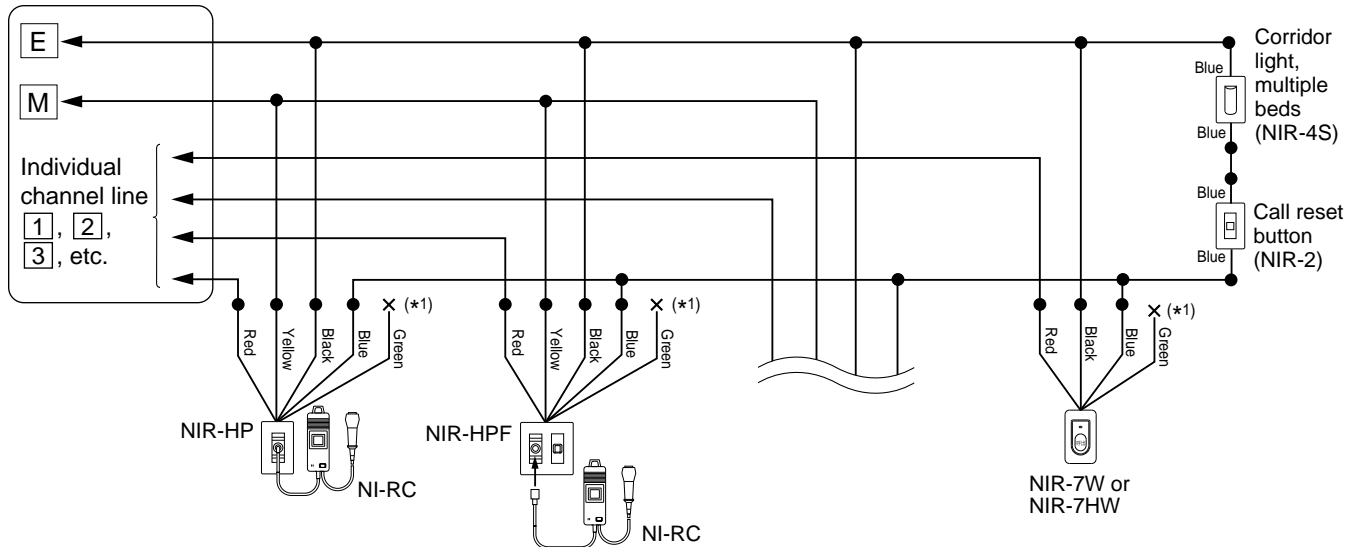
(*1): When using a corridor light;
Cut the connection between
the black and green wires to
separate them, and insulate the
green wire.



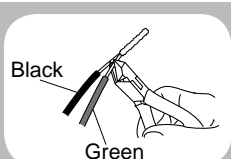
* Refer to page 29
for the detailed
connection method
for the corridor light
with nameplate
(NIR-34, NIR-32
and NIR-31).

When using the corridor light, multiple beds (NIR-4S) and call reset button (NIR-2)

Master station

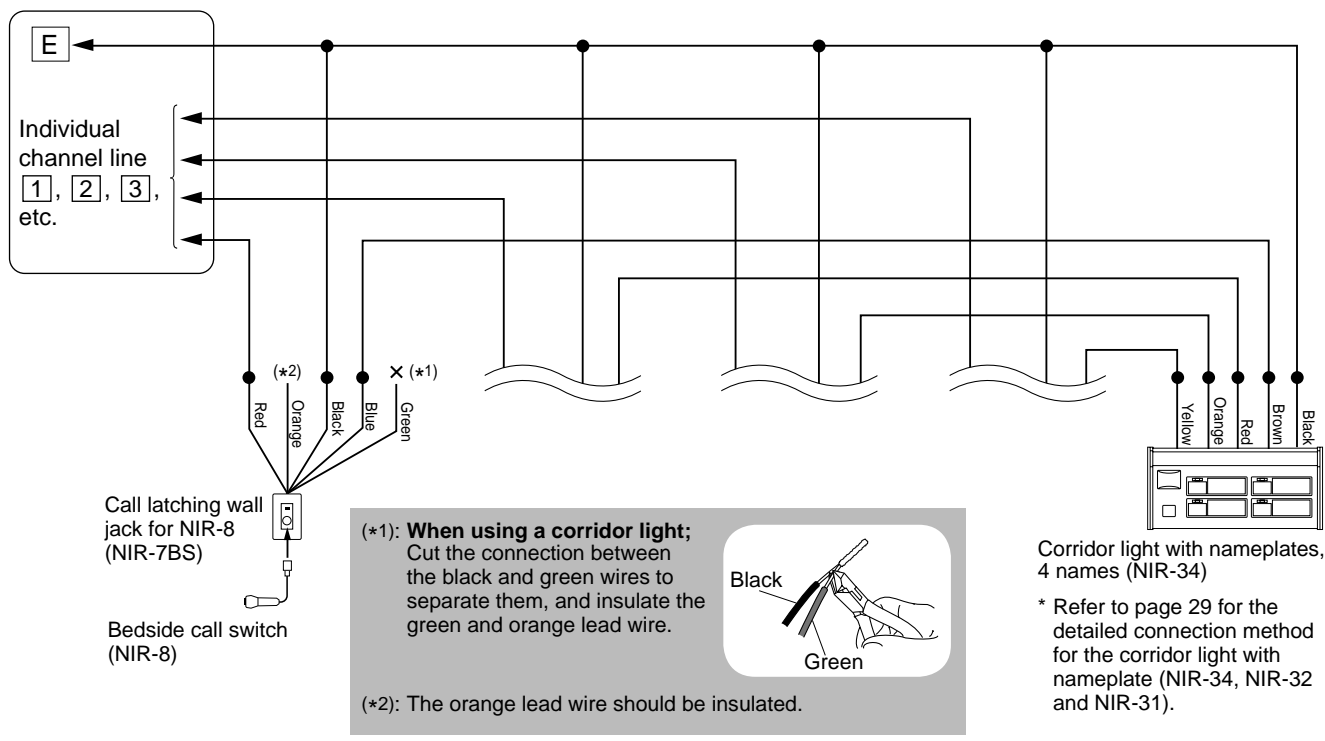


(*1): When using a corridor light;
Cut the connection between
the black and green wires to
separate them, and insulate the
green wire.



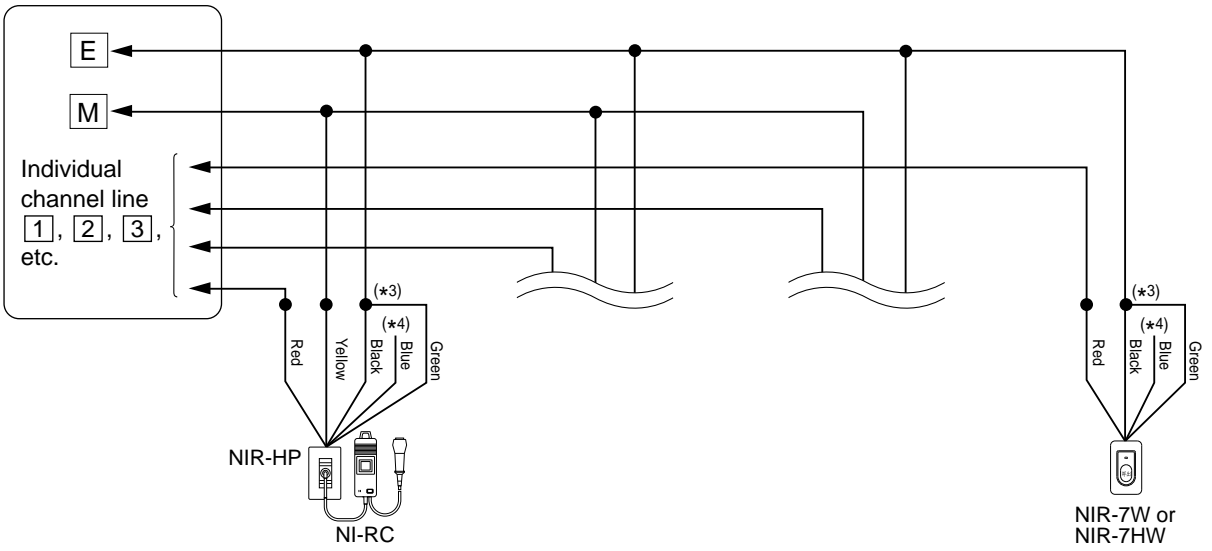
When using equipment without microphone (no communication is possible)

Master station



When not using a corridor light

Master station

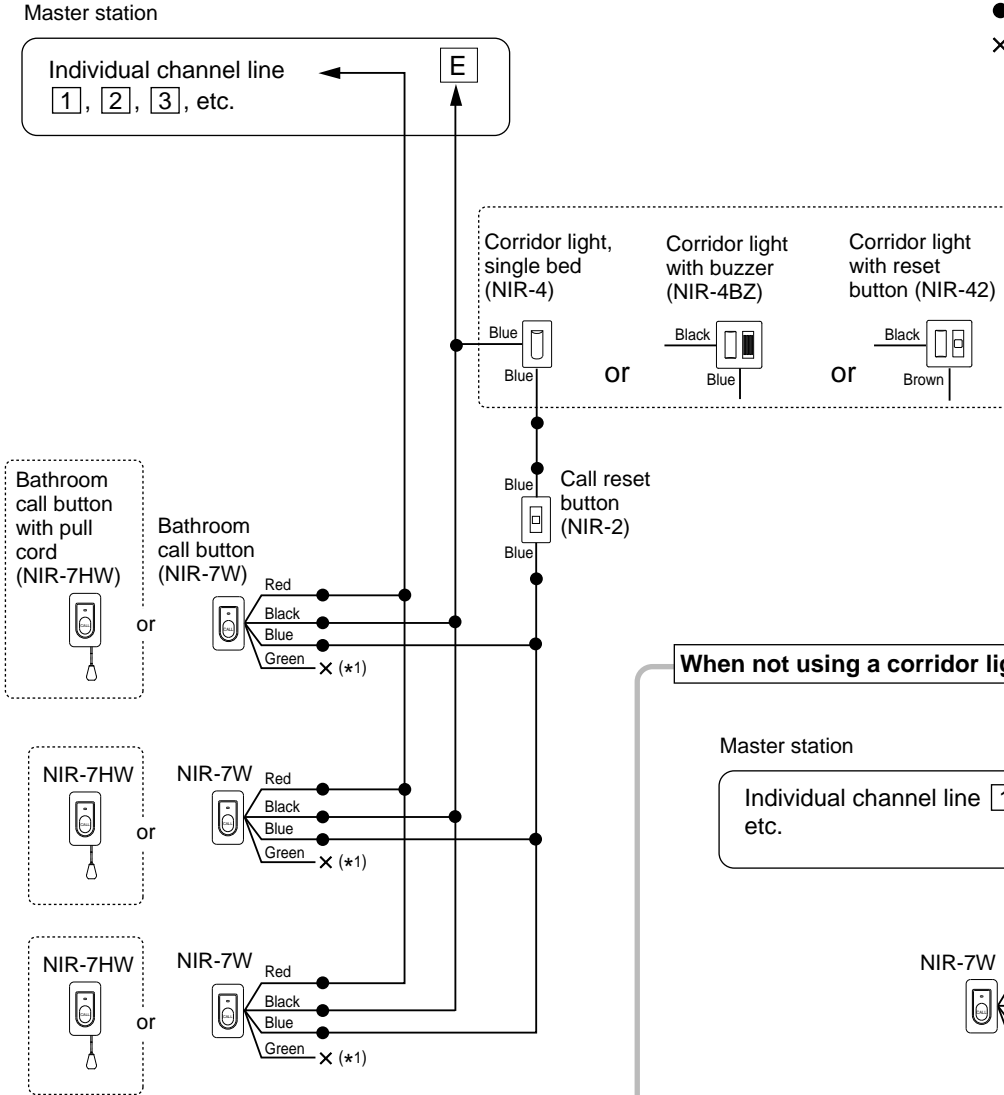


Examples of using the bathroom call buttons (NIR-7W or NIR-7HW)

When using a corridor light and reset button

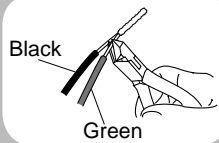
■ Meanings of symbols

- : Wire-to-wire connection
- ✕ : The wire should be cut and insulated.

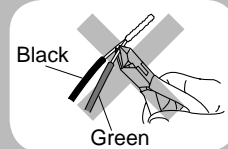


* Refer to page 29, when using the corridor light with nameplate (NIR-31, NIR-32, NIR-34).

(*1): **When using a corridor light;**
Cut the connection between the black and green wires to separate them, and insulate the green wire.

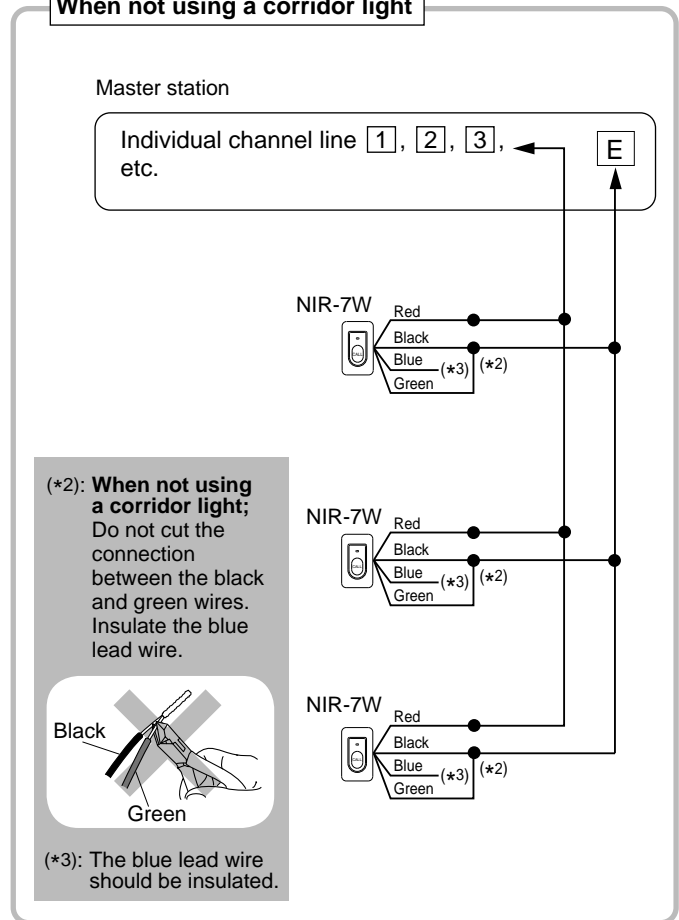


(*2): **When not using a corridor light;**
Do not cut the connection between the black and green wires. Insulate the blue lead wire.



(*3): The blue lead wire should be insulated.

When not using a corridor light



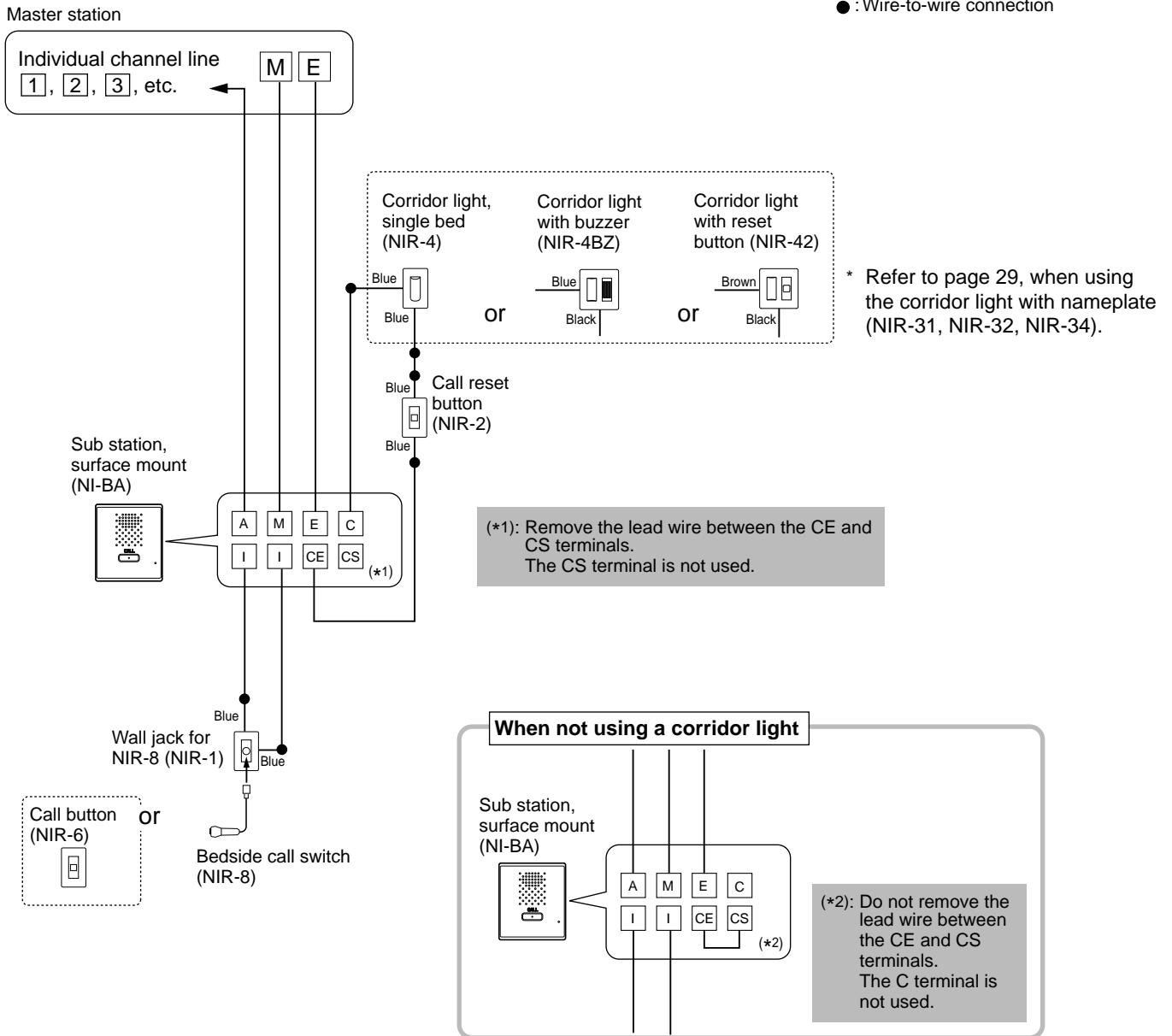
* Up to 3 bathroom call buttons can be connected to a single channel line.

Single room examples of using the surface mount sub station (NI-BA)

When using a corridor light and reset button

■ Meanings of symbols

● : Wire-to-wire connection



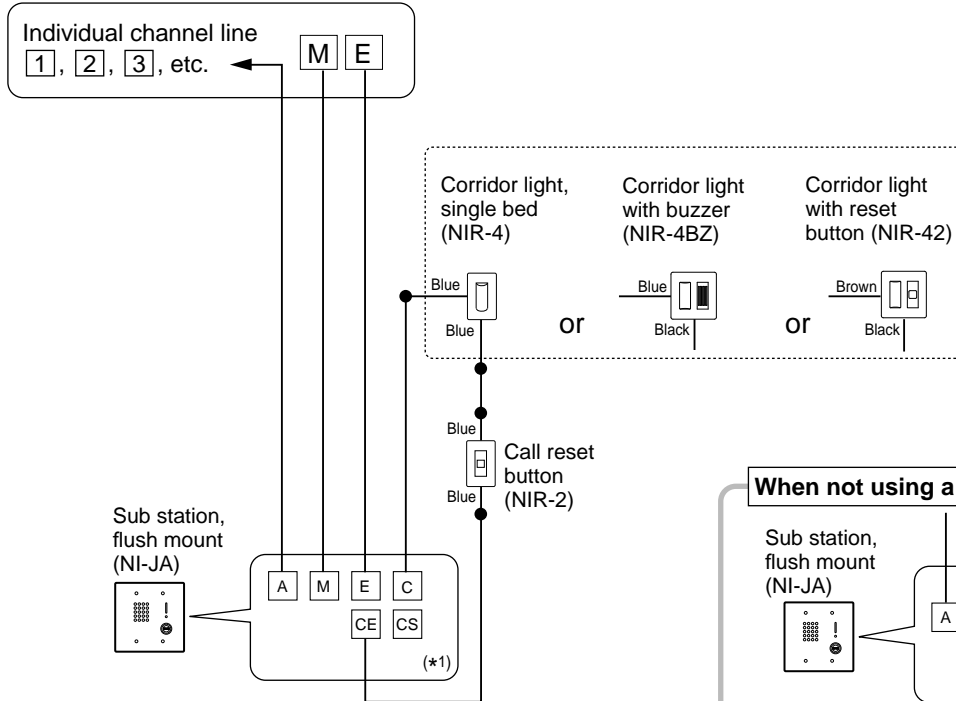
Examples of using the flush mount sub station (NI-JA)

When using a corridor light and reset button

■ Meanings of symbols

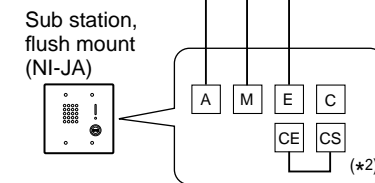
● : Wire-to-wire connection

Master station



* Refer to page 29, when using the corridor light with nameplate (NIR-31, NIR-32, NIR-34).

When not using a corridor light



(*1): Remove the lead wire between the CE and CS terminals.
The CS terminal is not used.

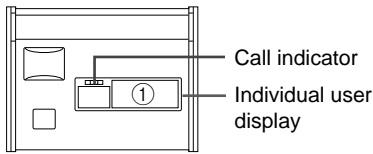
(*2): Do not remove the lead wire between the CE and CS terminals.
The C terminal is not used.

Notes about connecting to a corridor light with nameplate (NIR-31, NIR-32, NIR-34)

The individual user displays and the corresponding lead wire colors are as follows.

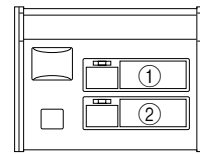
When the call button of a sub station connected to one of the color-coded lead wires of the corridor light is pressed, the corresponding number of the call indicator lights.

NIR-31



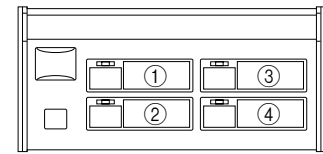
Individual user display	Color of lead wire
①	Brown

NIR-32



Individual user display	Color of lead wire
①	Brown
②	Red

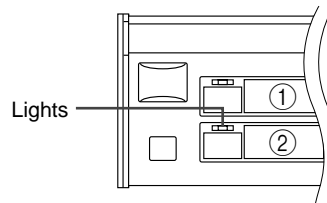
NIR-34



Individual user display	Color of lead wire
①	Brown
②	Red
③	Orange
④	Yellow

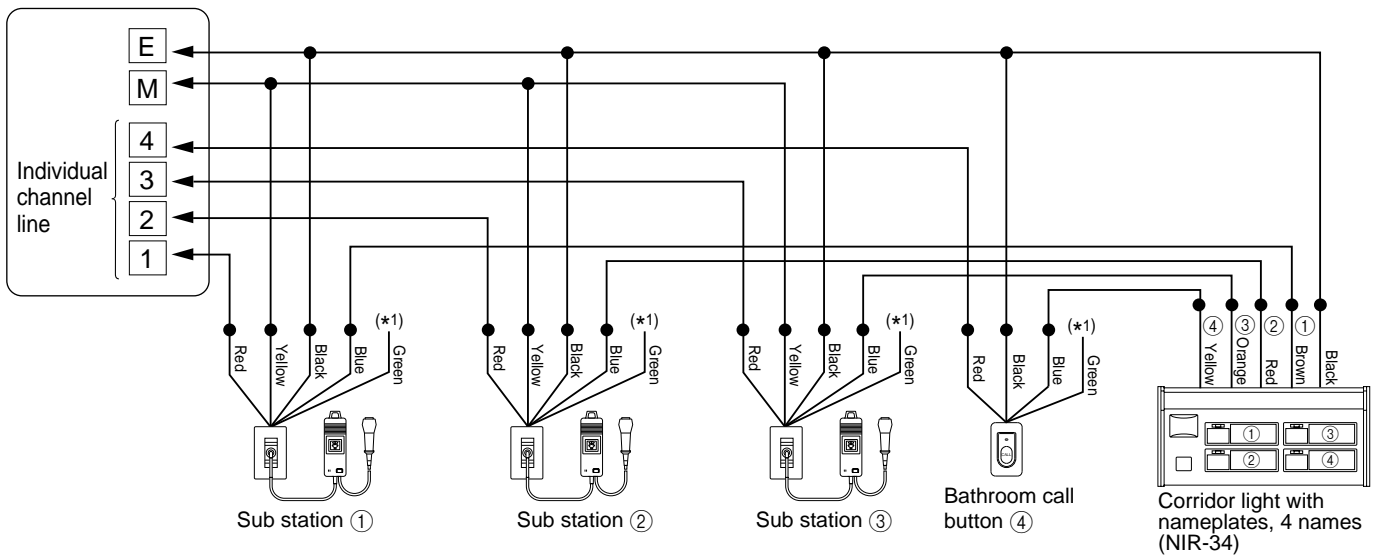
e.g.

When the call button of the sub station connected to the red lead wire is pressed, the call indicator of display ② lights.



Wiring example

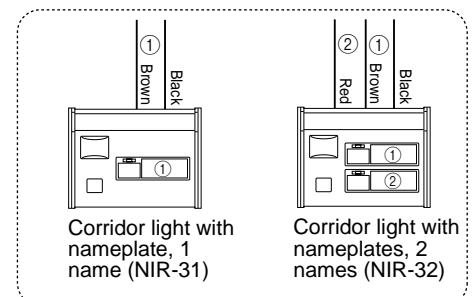
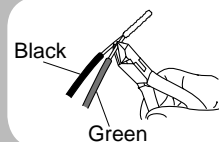
Master station



Meanings of symbols

- : Wire-to-wire connection

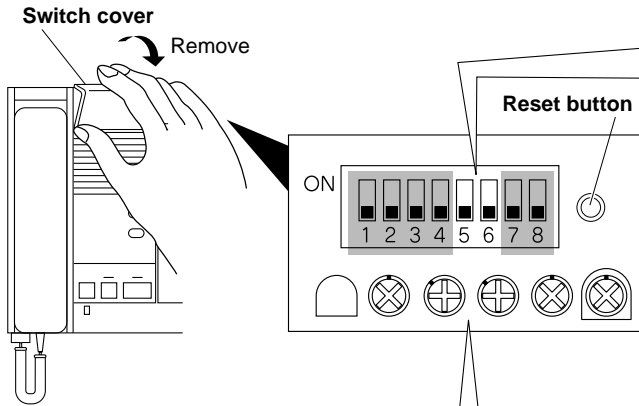
(*1): **When using a corridor light;** Cut the connection between the black and green wires to separate them, and insulate the green wire.



SETUP AFTER INSTALLATION


Adjusting volume and ringtone settings


For these changes, use the switches and control knobs under the switch cover by removing the cover.



Changing the sound type of ringtone


You can change the sound type of ringtone between **melody** and **chime**.


ON: Melody ↑  To select **melody**, put switch 5 in UP position.


OFF: Chime ↓  To select **chime**, put switch 5 in DOWN position.

Activating/deactivating the automatic volume gain of ringtone

When this function is active, the volume of ringtone increases automatically to the maximum level (low→mid→high) in a 90-second interval.

ON: Disable ↑  To **disable**, put switch 6 in UP position.

OFF: Enable ↓  To **enable**, put switch 6 in DOWN position.

* : Do not change these switches. They have been preset in the optimum positions.

NOTE: After modifying the settings, press the reset button to apply new settings.

Adjusting volume

To adjust:

Turn the control knob clockwise to increase and counterclockwise to decrease the volume.



TALK:

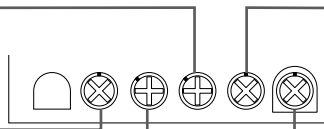
This adjusts the volume of audio (sent from the master station) heard at the sub stations.

PRETONE:

This adjusts the volume of notice sound heard at the sub stations.

ALL CALL:

This adjusts the volume of all station paging heard at the sub stations.



RECEIVE:

This adjusts the master receive volume. As the basis of this level, you can adjust the receiving volume with the **RECEIVE VOL.** tab on the master station operation panel.

RING TONE:

This adjusts the master volume of ringtone. As the basis of this level, you can adjust the ringtone volume with the **RING TONE VOL.** tab on the master station operation panel.

Troubleshooting

If the system fails to operate normally, check the following points to determine whether the fault can be corrected by the simple measures suggested. If it cannot be corrected, or if the fault is not listed in the "Symptom" column, disconnect the power cord and contact the system supplier or service center for help.

Symptom	Cause	Solution
The master station will not operate.	The power switch on the back of the master station is in the OFF position.	Turn on the power switch. (→ page 21)
The power of all the equipment is off.		
No ringtone		
No communication with sub station.	Improper wiring connection	Verify the wiring [#] to [#], [M] to [M], and [E] to [E] between master and sub stations.
No communication to sub station.	Improper wiring connection	Verify the wiring [#] to [#], [M] to [M], and [E] to [E] between master and sub stations.
	An improper device is used for sub station.	Verify a sub station compatible with the NIM system is used.
Call is not held.	Improper wiring connection	Verify connection of lead wires.
One way audio	An improper device is used for sub station.	Verify a sub station compatible with the NIM system is used.


[#]: Individual channel line (#: number)

[M]: Common line (for microphone)

[E]: Common line (for earth ground)

Warranty

Aiphone warrants its products to be free from defects of material and workmanship under normal use and service for a period of one year after delivery to the ultimate user and will repair free of charge or replace at no charge, should it become defective upon which examination shall disclose to be defective and under warranty. Aiphone reserves unto itself the sole right to make the final decision whether there is a defect in materials and/or workmanship; and whether or not the product is within the warranty. This warranty shall not apply to any Aiphone product which has been subject to misuse, neglect, accident, power surge, or to use in violation of instructions furnished, nor extended to units which have been repaired or altered outside of the factory. This warranty does not cover batteries or damage caused by batteries used in connection with the unit. This warranty covers bench repairs only, and any repairs must be made at the shop or place designated in writing by Aiphone. This warranty is limited to the standard specifications listed in the operation manual. This warranty does not cover any supplementary function of a third party product that is added by users or suppliers. Please note that any damage or other issues caused by failure of function or interconnection with Aiphone products is also not covered by this warranty. Aiphone will not be responsible for any costs incurred involving on site service calls. Aiphone will not provide compensation for any loss or damage incurred by the breakdown or malfunction of its products during use, or for any consequent inconvenience or losses that may result.

The object area of  is the EU.

FCC

This device complies with part 15 of the FCC Rules. Operation is subject to the following two conditions: (1) This device may not cause harmful interference, and (2) this device must accept any interference received, including interference that may cause undesired operation.

NOTE: This equipment has been tested and found to comply with the limits for a Class B digital device, pursuant to part 15 of the FCC Rules. These limits are designed to provide reasonable protection against harmful interference in a residential installation. This equipment generates, uses and can radiate radio frequency energy and, if not installed and used in accordance with the instructions, may cause harmful interference to radio communications. However, there is no guarantee that interference will not occur in a particular installation. If this equipment does cause harmful interference to radio or television reception, which can be determined by turning the equipment off and on, the user is encouraged to try to correct the interference by one or more of the following measures:

- Reorient or relocate the receiving antenna.
- Increase the separation between the equipment and receiver.
- Connect the equipment into an outlet on a circuit different from that to which the receiver is connected.
- Consult the dealer or an experienced radio/TV technician for help.

IC

CAN ICES-3 (B)/NMB-3(B)

 **AIPHONE**®
Providing Peace of Mind
<http://www.aiphone.net/>

AIPHONE

NI-SOFT

OPERATION MANUAL

GETTING STARTED

USING THE NI-SOFT

APPENDIX

Thank you for selecting Aiphone for your communication needs. Please read this manual carefully before using this product.
* Please make sure to read this manual for safe and correct use of the product, and keep it in a safe place for future reference.

Please note that images and illustrations depicted in this manual may differ from the actual product.

Contents

Introduction	3
Notices	3
Unpacking	3
Connections	3

GETTING STARTED

4

Installing the NI-SOFT	4
System requirements for PC.....	4
Installing	5
Starting up the NI-SOFT	7
Exiting the NI-SOFT	8
Configuring the initial setup of the NI-SOFT	9

USING THE NI-SOFT

10

Displaying the call history by specifying search criteria.....	10
Displaying the call history	10
Displaying the call history list in graph form	13
Configuring the sub station settings	14

APPENDIX.....

15

Troubleshooting.....	15
----------------------	----

Introduction

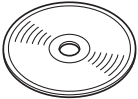
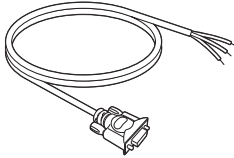
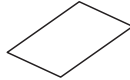
This product is application software that can be used by installing it on a PC connected with the master station. With this software, you can check the history of calls/answers in a table or graph format.

Notices

- Depending on the computer, it may not be useable.
 - We will under no conditions be liable for any damages or losses resulting from this product's contents or specifications.
 - This manual was created by Aiphone Co., Ltd., all rights reserved. Copying a part of or this entire manual without prior permission from Aiphone Co., Ltd. is strictly forbidden.
 - Please note that this manual may be revised or changed without prior notice.
- Please note that product specifications may be changed for the sake of improvement without prior notice.
 - Please be aware that it is the customer's responsibility to ensure that their computer is secure. We will under no conditions be liable for security failures.

Unpacking

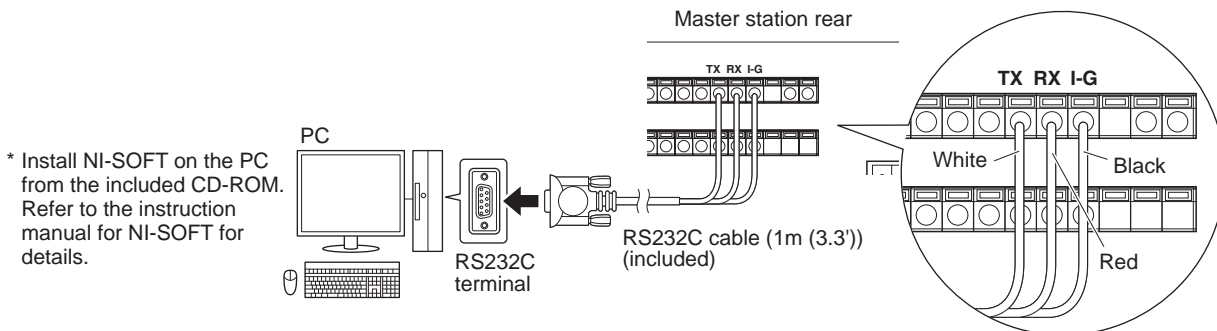
After unpacking, check that the following are included.

CD-ROM	RS232C cable	Information sheet
		
Contents: NI-SOFT (this software), NI-SOFT OPERATION MANUAL (this manual)		Contents: Product Key, China RoHS

* Please keep these items in a safe place for future use.

Connections

Connect a PC on which you will install the NI-SOFT to the master station with the included RS232C cable.



* When extending the RS232C cable, the distance between the master station and the PC should be 15m (50') or less.

GETTING STARTED

Installing the NI-SOFT

Install the NI-SOFT on your PC from the CD-ROM.

NOTES:

- **The PC should be operable 24 hours a day. Call history is obtained only while the NI-SOFT is running.**
- **Call history is not obtained in the following cases:**
 - **When the NI-SOFT is not running**
 - **When the PC is in the standby or sleep mode, or the system is logged off**
 - **When the PC cannot communicate with the master station for any cause**

System requirements for PC

Your PC must meet the following system requirements to use the NI-SOFT.

Also refer to the instruction manual supplied with your PC.

OS (English ver. only)	Windows 7 Home Premium/Professional/Ultimate (Service Pack 1, 32/64bit) Windows 8.1/Pro (32/64bit)
Processor	2.7 GHz or higher
System memory (RAM)	2 GB RAM or higher
Hard disk	Total 100 MB or higher (*1)
Run-time	Microsoft® .NET Framework 4.5 (*2)
Display	1024 (W) x 768 (H) or higher, 16-bit or more
Serial port	RS-232C, D-sub 9-pin
Fonts	Arial

(*1): If the software is to be installed onto a drive other than C: drive, both the C: drive and the installation drive each require 50 MB or more of memory.

(*2): If the specified Run-time is not installed on the PC, it will be installed automatically when installing the NI-SOFT.

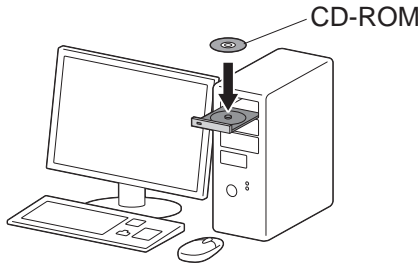


- The NI-SOFT may not run, or may not operate correctly (such as freezes occurring) on a PC with specifications below the necessary requirements.
- We recommend using a PC and CD-ROM/DVD-ROM drive that exceed the basic system requirements.
- The NI-SOFT is registered to the start-up for the user designated when it was installed. (The NI-SOFT starts up automatically when logged in to the Windows.)
- When the system memory of the PC is running out, the NI-SOFT reboots the Windows to prevent the PC from being frozen. If there is concern of the occurrence of Windows reboot, configure the Windows so that login is performed automatically with the user's account with sufficient attention given to security.
- It is recommended to install a PC exclusive for the NI-SOFT and acquire a dedicated account to obtain a complete call history.

Microsoft and Windows are either registered trademarks or trademarks of Microsoft Corporation in the United States and/or other countries.

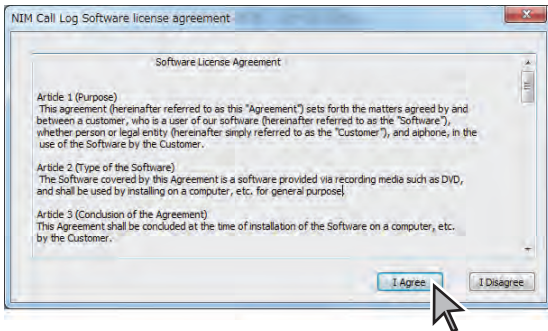
Installing

- 1 Insert the CD-ROM into your PC.



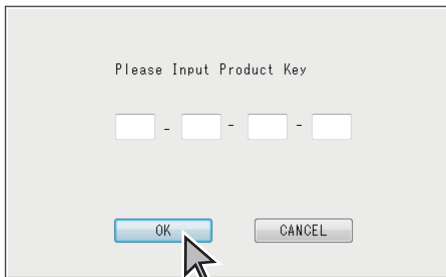
- 2 Run "Setup.exe" in the CD-ROM by double-clicking it.
- 3 Start the installation by following the on-screen instructions.

Read "Software License Agreement" carefully, and then select **I Agree**.



- 4 Input the Product Key, and click **OK**.

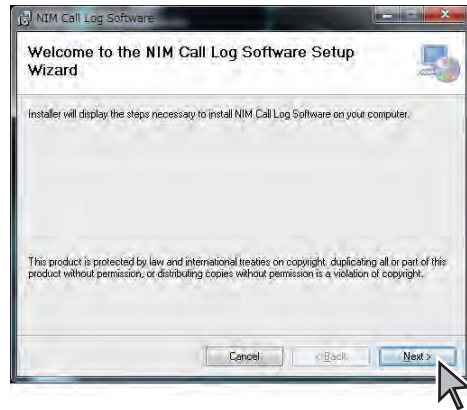
* The Product Key can be found on the information sheet, "Product Key for NI-SOFT".



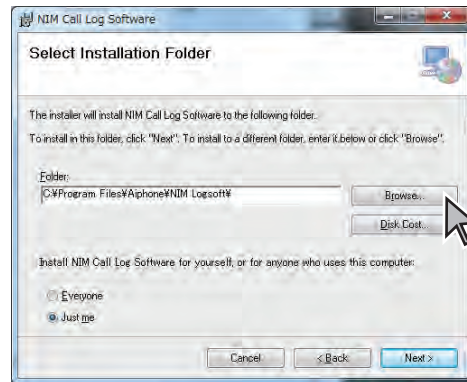
NOTE:

If ".NET Framework 4.5" is not already installed, the .NET Framework installation window is displayed. Follow the on-screen instructions to install. (It might be nothing displayed for a while to install.)

- 5 Read the description in the [Welcome to the NIM Call Log Software Setup Wizard] window, and then click **Next**.



- 6 Select the folder and the PC in which the NI-SOFT is to be installed.



- 7 Click **Next** to continue the installation.

Dialogs are displayed to confirm whether or not you want to place a shortcut for the NI-SOFT in the Start Menu and on the desktop. Click **YES** or **NO**.

- 8 When the [Installation Complete] window appears, click **Close** to finish the installation.

* After the installation has finished, restart the PC.

NOTES:

- When starting up the NI-SOFT, if a security or virus check warning is displayed, please allow the NI-SOFT to continue.
- When the [User Account Control Settings] window appears, click **OK** to continue the installation.
- Depending on the OS of a PC, different screens may be displayed. Follow the on-screen instructions to install.

■ Uninstalling

When you need to uninstall the NI-SOFT, follow the procedure below.

* The uninstallation procedure differs depending on the Windows OS version. Confirm the procedure for the Windows OS on your PC.

- 1** Click the Windows' "Start" button, and then click "Control panel".
The control panel opens.
- 2** Click "Programs and Features".
- 3** Select "NIM Call Log Software", and then click "Uninstall".
A dialog is displayed to confirm whether or not you want to keep log data and program settings. Click YES or NO.

When uninstalling has been finished successfully, the message "The program was successfully uninstalled" appears.

Starting up the NI-SOFT

Read the instruction below while viewing the actual display of the PC.

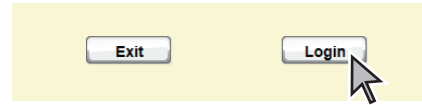
1 Start up the PC.

The following login window is displayed automatically after starting or restarting the PC.



- * When you first start up the NI-SOFT after it has been installed, a dialog box is displayed saying that COM port setting has not been made. Click [OK] and proceed to the next step. After the initial setup (→ P.9 **1**), the dialog box will not be displayed again.

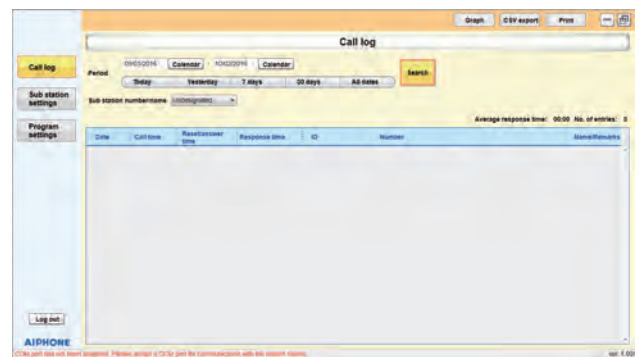
2 Click "Login".



- * When the password entry box is displayed, enter the password, and then click "Login". When you start up the NI-SOFT for the first time, entering password is not needed. You can set up a password for security purposes if needed. (→ P. 9)
- * If you do not want to log into the NI-SOFT, click [Exit].



The [Call log] window is displayed.



Buttons available in all the windows

Click to close the window.

The window closes and "  " icon remains on the task bar. Clicking the icon opens the window again.

[Call log] window

Click to open the [Call log] window. (→P. 10)

Click to open the [Sub station settings] window. (→P. 14)

Click to open the [Program settings] window. (→P. 9)

Click to log out of the NI-SOFT. (→P. 8)

Click to maximize the window. Click this again to restore the window to normal size.

Click to close the window.

Status bar
Displays the current status of the NI-SOFT.

Version of the NI-SOFT

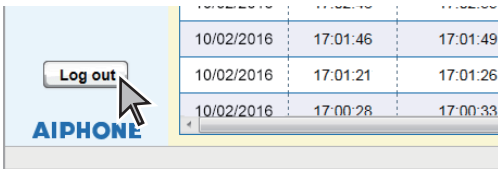
Date	Call time	Reset/answer time	Response time	ID	Number	Name/PhoneNo
10/02/2016	17:43:46	17:43:50	00:04	4	104	
10/02/2016	17:10:41	17:10:43	00:02	5	105	
10/02/2016	17:06:31	17:06:33	00:02	1	101	
10/02/2016	17:04:54	17:04:57	00:03	3	103	
10/02/2016	17:04:38	17:04:42	00:04	3	103	
10/02/2016	17:04:23	17:04:28	00:05	4	104	
10/02/2016	17:04:10	17:04:15	00:05	4	104	
10/02/2016	17:03:54	17:03:58	00:04	1	101	
10/02/2016	17:03:34	17:03:37	00:03	1	101	
10/02/2016	17:03:10	17:03:15	00:05	2	102	
10/02/2016	17:02:46	17:02:55	00:09	2	102	
10/02/2016	17:01:46	17:01:49	00:03	1	101	
10/02/2016	17:01:21	17:01:26	00:05	1	101	
10/02/2016	17:00:28	17:00:33	00:05	5	105	

Exiting the NI-SOFT

NOTE:

When **Exit** is clicked, the NI-SOFT stops running. While the NI-SOFT is not running, call history logs cannot be obtained, so the call history in that period is not displayed.

- 1 Click **Log out**.



A confirmation message is displayed.

- 2 Click **OK** to continue the exit operation.

- 3 Click **Exit**.

A confirmation message is displayed.

- 4 Click **OK** to exit the NI-SOFT.

When you start the NI-SOFT again;

Double-click the "  " icon on the desktop.

NIM Call Log Software

* If another location is specified for installing the NI-SOFT during installation, run "NIMlog.exe" from the location where it is installed.

Configuring the initial setup of the NI-SOFT

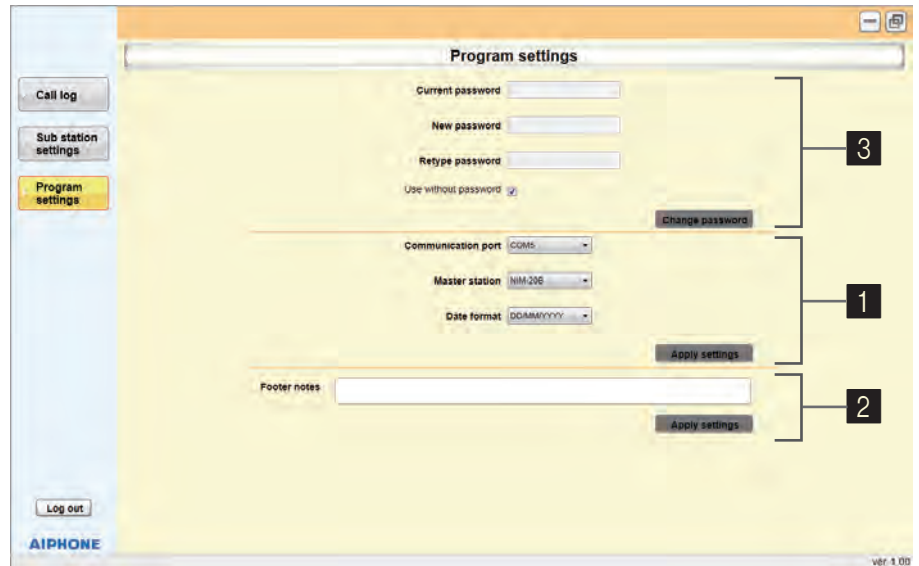
Configure the initial setup before using the NI-SOFT.

First click **Program settings** to display the **[Program settings]** window.

Then set up the items of **1**, **2**, **3** below.

(**1** : Required, **2**, **3** : As needed)

[Program settings] window



1 Configuring the initial setup (Required)

1 Set up the following items.

[Communication port]:

Select the communication port to be used from the drop-down list.

[Master station]:

Select the master station model connected with this PC from the drop-down list.

[Date format]:

Select the year-month-day format to be used in the window from the drop-down list.

DD: day MM: month YYYY: year

2 Click **Apply settings** to save the setting changes of these items.

NOTES:

- The items that cannot be changed or selected are grayed out.
- If you change the window or click **Log out** without saving the setting changes, a notice dialog box appears saying that “Exit without saving? (Changes to settings will not be saved)”. To save the changes, Click **Cancel**, and then click **Apply settings**.

2 Registering a note in the footer area

When printing out a call history list etc., the registered note is printed in the footer area of a print sheet.

* Only English one-byte alphanumeric characters can be used for a note. Up to 80 characters can be inputted.

1 Enter a note in the text box of **[Footer notes]**.

2 Click **Apply settings** to save the note.

3 Setting up a login password

You can set up a password for security purposes if needed.

* Only English one-byte alphanumeric characters can be used for a password. Up to 32 characters can be inputted.

Setting up a password for the first time

- 1 Uncheck the check box of **[Use without password]**.
* Unless this check box is unchecked, a password cannot be entered.
- 2 Enter a new password in the **[New password]** box.
- 3 Enter the same new password in the **[Retype password]** box again.
- 4 Click **Change password** to save the password.

* Inputting the set password is required when logging into the NI-SOFT the next time.

Changing the password

- 1 Enter the current password in the **[Current password]** box.
- 2 Enter the new password in the **[New password]** box.
- 3 Enter the new password in the **[Retype password]** box again.
- 4 Click **Change password** to save the new password.

NOTES:

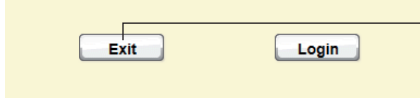
- If you will not use a password for login, check the check box of **[Use without password]** and then click **Change password**.
- The items that cannot be changed or selected are grayed out.
- If you have forgotten the password, you need to re-install the NI-SOFT.

Displaying the call history by specifying search criteria

The call history is displayed in the [Call log] window.

NOTES:

- Call history logs are not obtained in the following period of time, so the call history in such a period of time cannot be displayed.
 - When the NI-SOFT is not running



When **[Exit]** is clicked, the NI-SOFT is quitted.

- When the PC is in the standby or sleep mode, or the system is logged off
- When the PC cannot communicate with the master station for any cause
- Call history does not updated on a real-time basis. Call history logs can be obtained only while the NI-SOFT is running.

Displaying the call history

Click **[Call log]** to display the [Call log] window.

Specify search criteria by following the procedure below to limit the scope of target calls.

[Call log] window

Specify the target period of time.

Click to start a search with the specified criteria.

Specify the target sub station ID, number, name/ remarks.

The call history is displayed in the list here.

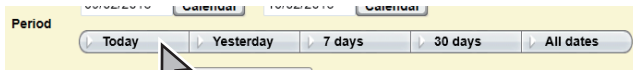
The number of call records in the list.

The average response time of the calls in the list.

Date	Call time	Reset/answer time	Response time	ID	Number	No.
10/02/2016	17:49:46	17:49:50	00:04	4	104	
10/02/2016	17:10:41	17:10:43	00:02	5	105	
10/02/2016	17:06:31	17:06:33	00:02	1	101	
10/02/2016	17:04:54	17:04:57	00:03	3	103	
10/02/2016	17:04:38	17:04:42	00:04	3	103	
10/02/2016	17:04:23	17:04:28	00:05	4	104	
10/02/2016	17:04:10	17:04:15	00:05	4	104	
10/02/2016	17:03:54	17:03:58	00:04	1	101	
10/02/2016	17:03:34	17:03:37	00:03	1	101	
10/02/2016	17:03:10	17:03:15	00:05	2	102	
10/02/2016	17:02:46	17:02:55	00:09	2	102	
10/02/2016	17:01:46	17:01:49	00:03	1	101	
10/02/2016	17:01:21	17:01:26	00:05	1	101	
10/02/2016	17:00:28	17:00:33	00:05	5	105	

Average response time: 00:04 No. of entries: 14

1 Select the target period of time from the following.



[Today]

[Yesterday]

[7 days]: 7 days including the current day

[30 days]: 30 days including the current day

[All dates]: No limitation of term

You can also specify the term by selecting start and end dates from the calendar respectively.

Start date End date

① Click

Click to select the target month or year.

Click to display the previous month.

Click to display the next month.

② Click to select the target date.

NOTE:

The specified dates are not updated automatically. Specify the target dates and conduct a search again to update the call history data.

- If needed, specify the sub station ID, number or name/remarks by selecting the search item from the drop-down list.



[Undesignated]: none specified

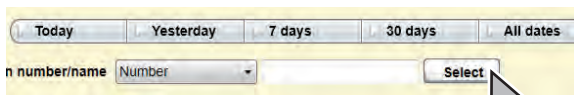
[ID]:

When this is selected, a drop-down list is displayed. Select the target ID from the list.

* All the IDs recorded in the call history are displayed in the list.

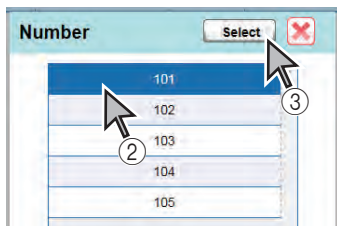
[Number]:

- After selecting this, click **Select** on the right hand of the window.



The **[Number]** dialog box is displayed.

- Select the target sub station name, bed number, etc. within the dialog box.
- Click **Select**.



The selected name or number is displayed in the input box.

* The names or numbers displayed in the dialog box are those recorded in the call history list. When a new name or number is registered in the **[Sub station setting]** window (→P. 14), it will be displayed in this dialog box after it has been recorded and displayed in the call history list.

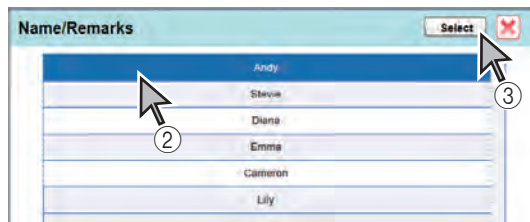
[Name/Remarks]:

- After selecting this, click **Select** on the right hand of the window.



The **[Name/Remarks]** dialog box is displayed.

- Select the target name, remark, etc. within the dialog box.
- Click **Select**.



The selected name, remark, etc. is displayed in the input box.

* The names, remarks, etc. displayed in the dialog box are those recorded in the call history list. When a new name or remark is registered in the **[Sub station setting]** window (→P. 14), it will be displayed in this dialog box after it has been recorded and displayed in the call history list.

- Click **Search**.

The history of calls that meet the specified criteria is displayed in the list.

Date	Call time	Reset/answer time	Response time	ID	Number
10/02/2016	17.49.46	17.49.50	00.04	4	104
10/02/2016	17.10.41	17.10.43	00.02	5	105

< Table column headings >

Date: The date when the call was received by the master station.

Call time: The time when the call was received by the master station.

Reset/answer time: The time when the call was answered or reset.

Response time: The length of time from when the call was received to answered or reset.

ID: The ID of the target sub station.

Number: The target sub station name, bed number, etc.

Name/Remarks: The target sub station name, remarks, etc.

* The history is displayed in ascending or descending order. The order changes each time an item name on the table head is clicked.
ex.)



* When call records are not all displayed, scroll the window up or down by using the vertical scroll bar.

NOTES:

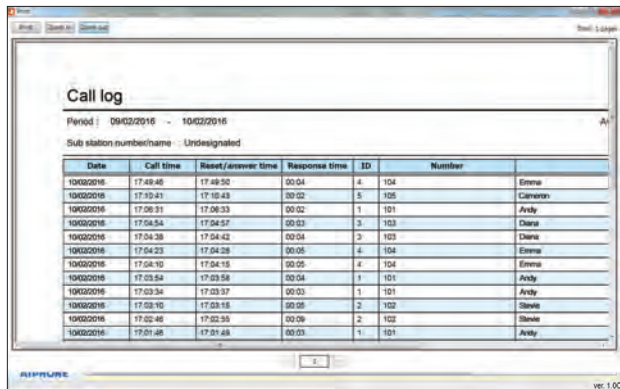
- A maximum of 100,000 call records can be stored. When the number of call records exceed 100,000, the old ones are overwritten.
- When the response time of a call is more than 59 minutes and 59 seconds, it is displayed as 59 minutes and 59 seconds.
- The NI-SOFT does not support displaying summer time.

■ Printing out the displayed call history list

- 1 Click **Print** on the [Call log] window.



The print preview window is displayed.



Zoom in: Click to enlarge the preview.

Zoom out: Click to reduce the preview.

- * When the preview is not fully displayed, scroll the window by using the scroll bar.
- * When the call history list is to be printed in two or more sheets, you can display other pages by clicking **<<** (previous page) or **>>** (next page). You can also designate the page number you wish to preview by entering the number.



Current page number

- * You can enter the desired page number in this box.

- 2 Click **Print** to print out the current preview window.



NOTES:

- A maximum of 3,000 call records (100 pages) can be printed out at one time.
- Do not quit the NI-SOFT until the printing is completed. The printing may not finish completely.

■ Exporting the displayed call history list in CSV format

- 1 Click **CSV export**.

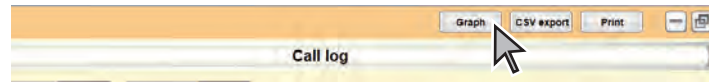


The "Save as" window is displayed.

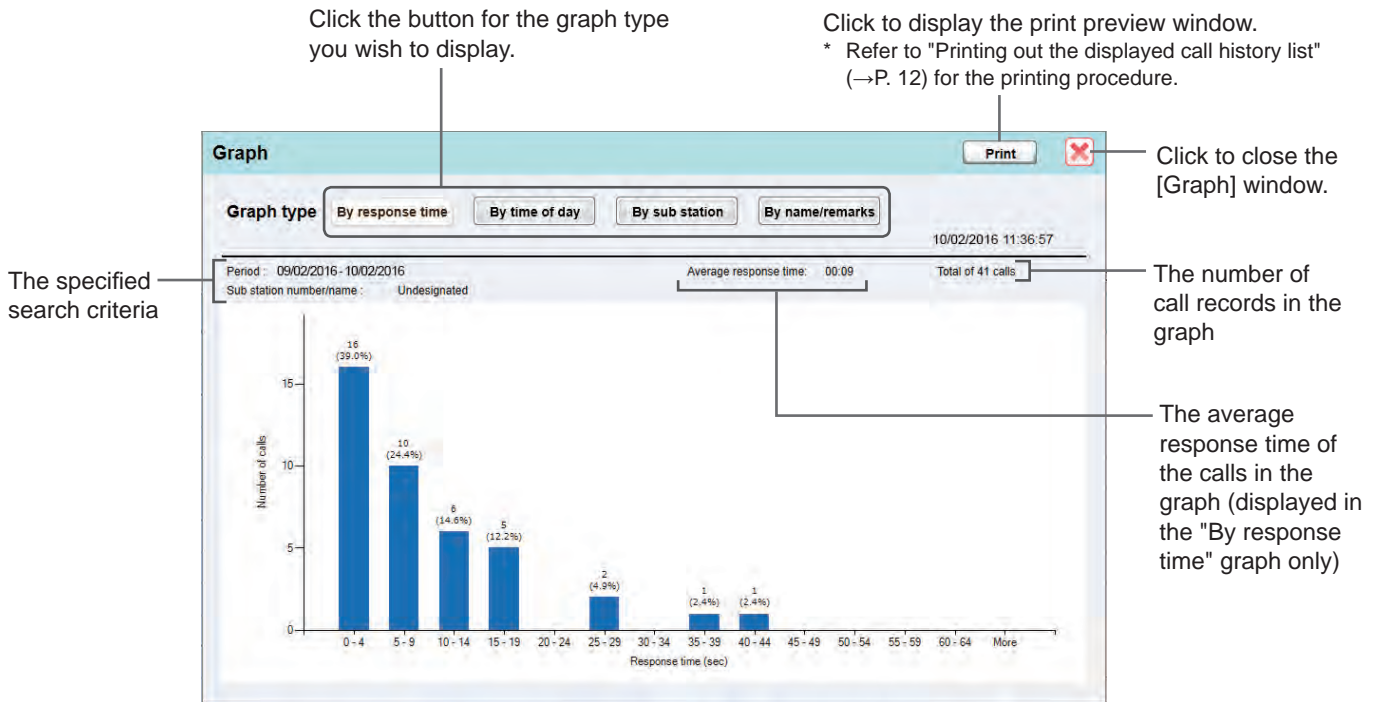
- 2 If needed, change the file name and the destination to save.
- 3 Click **Save** to save the file.

Displaying the call history list in graph form

- 1 Click **Graph** on the [Call log] window.



The [Graph] window is displayed, and the current call history list is displayed in bar graph sorted by response time.



* The screen image shows a bar graph sorted "By response time".

- 2 If needed, change the graph type by clicking the corresponding button.

By response time (default): Click to display a call history list in bar graph sorted by response time.

By time of day: Click to display a call history list in bar graph sorted by time of day.

By sub station: Click to display a call history list in bar graph sorted by sub station ID. Up to 20 sub station IDs are displayed in descending order when more than 20 sub stations are connected to the master station.

By name/remarks: Click to display a call history list in bar graph sorted by name/remarks.

Configuring the sub station settings

Configure the settings for the sub stations connected to the master station.

Set number (station name, bed number, etc.) and name/remarks etc. for each of the sub stations.

The number, names, remarks, etc. registered in this window are used as the search criteria for calls in the [Call log] window.

- 1 Click **[Sub station setting]** to display the [Sub station settings] window.

[Sub station settings] window

Click to save the setting changes.

Click to display the print preview window.
* Refer to "Printing out the displayed call history list" (→P. 12) for the printing procedure.

Click to export the sub station setting data in this window in CSV format.
* Refer to "Exporting the displayed call history list in CSV format" (→P. 12) for the exporting procedure.

All the IDs for the sub stations connected (or to be connected) to the master station are displayed. (See below for details about the sub station IDs.)

ID	Number	Name/Remarks
1	101	Andy
2	102	Steve
3	103	Diana
4	104	Emma
5	105	Carson
6		
7		
8		
9		
10		
11		
12		
13		
14		
15		
16		
17		
18		
19		

- 2 Enter a station name, bed number, etc. in the "Number" column, and enter remarks or other information in the "Name/Remarks" column for each ID.

Item	Max number of characters in a cell
Number	16
Name/Remarks	40

* Double quotation mark (") and backslash mark (\) are disabled.

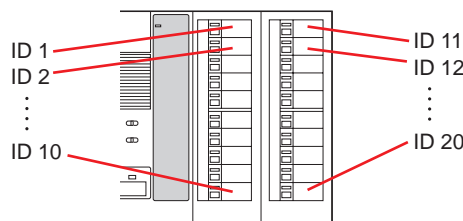
- 3 Click **[Apply]** to save the settings.

NOTES:

- Usable font is "Arial" only.
- If you try to change the window without clicking **[Apply]**, the pop-up, "Exit without saving?" is displayed. Click either **[OK]** or **[Cancel]**.

ID configuration

IDs are configured on the master station as shown in the illustration on the right.



* The illustration shows the master station, 20-call (NIM-20B).

Troubleshooting

If the software fails to operate normally, check the following points to determine whether the fault can be corrected by the simple measures suggested. If it cannot be corrected, or if the fault is not listed in the "Symptom" column, contact the system supplier or service center for help.

Symptom	Cause	Remedy
NI-SOFT software is not found or no display on the computer monitor installed with the NI-SOFT software.	The software is not installed successfully.	Install the software again.
	The short-cut of NI-SOFT software disappeared.	Search the installed NI-SOFT software files.
Product Key code is not found.	-	Confirm the attached information sheet that contains the Product Key code of NI-SOFT.
NI-SOFT software does not show history.	Improper RS-232C connection	Verify wiring type and distance.
Error message, "Communication with master station cannot be established. Please check the cable" is displayed.	Improper RS-232C connection	Verify the connection of RS-232C cable. The error message will be remained on the screen until corrected.



Issue Date: Feb. 2016

FK2246 (A) P0216 SZ 57290

AIPHONE CO., LTD., NAGOYA, JAPAN

AIPHONE

NI-SOFT

■ Product Key for NI-SOFT

This Product Key is required when installing the software.

Keep this Product Key for your records.

--	--	--	--	--	--	--	--	--	--	--	--	--	--	--	--	--	--	--	--	--

0 1 2 3 4 5 6 7 8 9

Please read NI-SOFT Operation Manual on the enclosed CD for setting details.

■ PC System requirements

OS	Windows 7 Home Premium/Professional/Ultimate (Service Pack 1, 32/64bit) Windows 8.1/Pro (32/64bit)
PC requirements	Processor: 2.7GHz or higher System memory (RAM): 2 GB RAM or higher Hard disk: Total 100 MB or higher.* * If the software is to be installed onto a drive other than C: drive, both the C: drive and the installation drive each require 50 MB or more of memory. Run-time: Microsoft® .NET Framework 4.5. Display: 1024 x 768 or higher Serial port: RS-232C (D-sub 9-pin) Fonts: Arial

Product Disclaimer

Broadcasting, publicizing or renting this CD without the authorization of the rights holder is banned by law. All rights reserved. Reproduction or copying of any contents, including the packaging, manual, etc. is prohibited. AIPHONE assumes no responsibility whatsoever for any direct or indirect damage or loss caused by the use of this CD's contents.

Issue date: Feb. 2016
851414 (A) 0216 SQ 58336

AIPHONE CO., LTD., NAGOYA, JAPAN
Printed in Japan