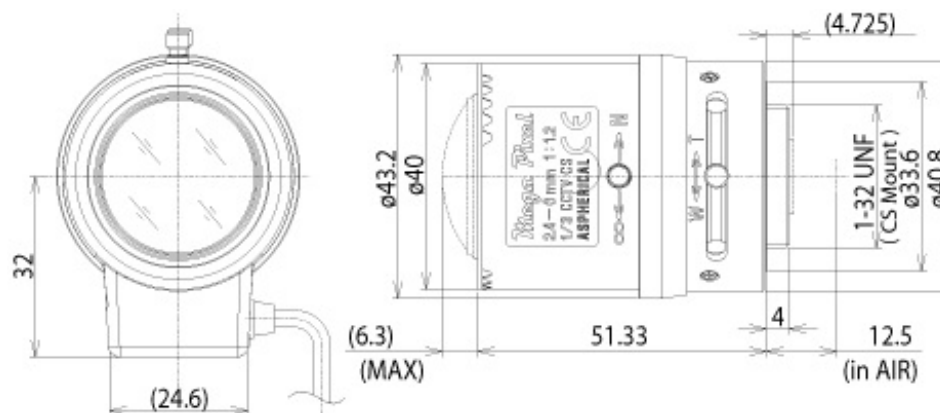


M13VG246

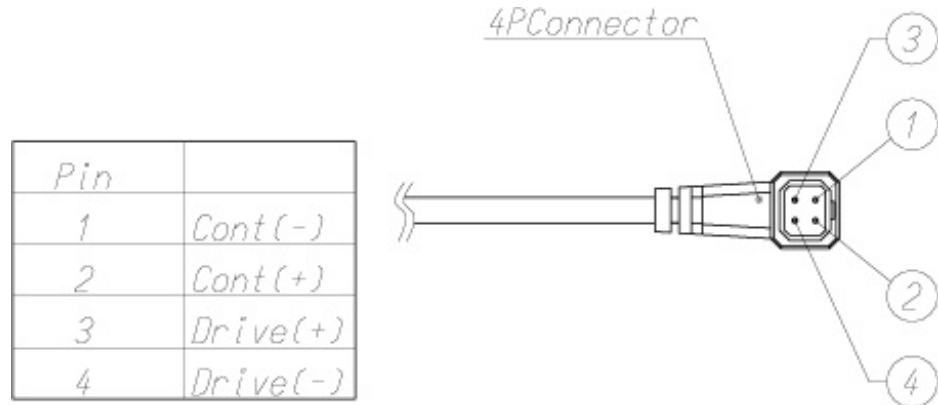


SPECIFICATIONS

			M13VG246
Imager Size			1/3
Mount Type			CS
Focal Length			2.4 - 6mm
Aperture Range			1.2 - 360
Angle of View (Horizontal x Vertical)	1/3	Wide	111.3° x 83.5°
		Tele	47.1° x 35.4°
		Wide	83.5° x 62.6°

	1/4	Tele	35.4° x 26.6°
Focusing Range			0.3m - ∞
Operation		Focus	Manual with Lock
		Zoom	Manual with Lock
		Iris	DC Auto Iris
Filter Size			-
Back Focus(in air)			Wide 7.84 - Tele 13.72mm
Operating Voltage			Open 4.0V Close 0.7V
Weight			-
Operating Temperature			-20°C - +60°C

Wiring Diagram



Download

You can download the specifications.

- ▶ Download Catalog
- ▶ Download Specifications

