

Available from:

CablesPlus

U ★ S ★ A

Cables Plus, LLC

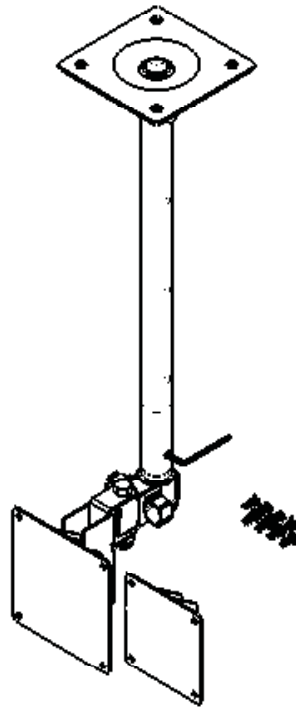
8504 Glazebrook Ave Richmond, VA 23228 ~ Toll Free (866) 678-5852

www.CablesPlusUSA.com

VIDEO MOUNT PRODUCTS

Instruction Sheet For:

LCD-1C, LCD-1CB LCD-1CW



Available from:

CablesPlus

U ★ S ★ A

Cables Plus, LLC

8504 Glazebrook Ave Richmond, VA 23228 ~ Toll Free (866) 678-5852

www.CablesPlusUSA.com

Available from:

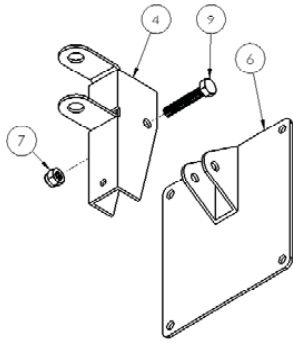
CablesPlus

U ★ S ★ A

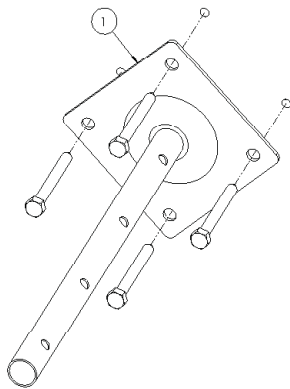
Cables Plus, LLC

8504 Glazebrook Ave Richmond, VA 23228 ~ Toll Free (866) 678-5852

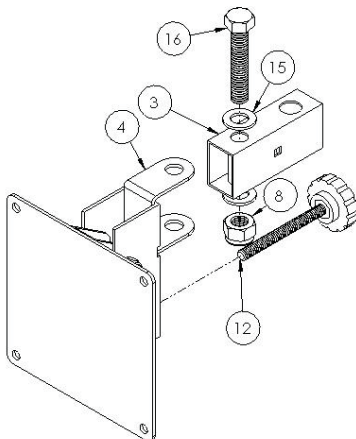
www.CablesPlusUSA.com



Step 2: Attaching the mounting plate to the pivot bracket



Step 3: Attaching the ceiling plate to the ceiling.
(Lag Screws not included)



Step 4: Attaching the swivel bracket to the support tube.

Step 1

Before starting, lay out all parts to your mount and match them to the parts list provided. Verify that you have all your parts before attempting to assemble the mount.

Step 2

Next determine the VESA standard plate you will be using (5) or (6) (75mm for (6) or 100mm for (5)) and attach the selected mounting plate (5) or (6) to the swivel bracket (4) using the M6 screw (9) and the nylon nut (7). (Set this assembly safely to the side for now.)

Step 3

Mark the ceiling or desired mounting surface in preparation of installation of wall mounting plate (1). Pre-drill if necessary and mount wall plate (1) to desired surface. Mount wall plate with small welded rotation stoppers to the bottom of the plate. **Warning: Please verify that your mounting surface will support the combined weight of your mount, mounting hardware, and monitor. Also verify that the mounting surface is safe to drill through. If in doubt, please contact a professional installer.**

Step 4

Attach the swivel bracket assembly from step 2 to the support tube (3) using the 3/8" screw (16), washers (15) and nylon nut (8). Insert adjustable screw (12) into the back of the swivel bracket (4) for use when tilting the monitor.

Available from:

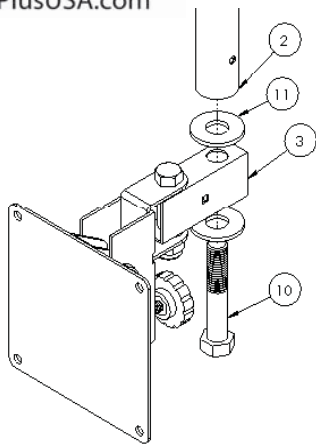
CablesPlus

U ★ S ★ A

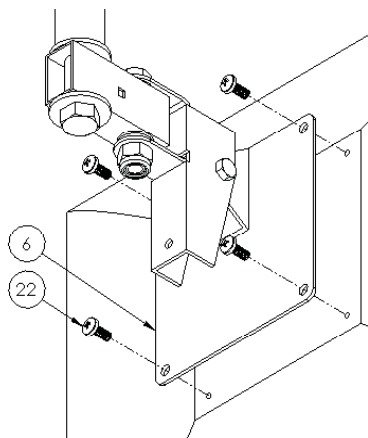
Cables Plus, LLC

8504 Glazebrook Ave Richmond, VA 23228 ~ Toll Free (866) 678-5852

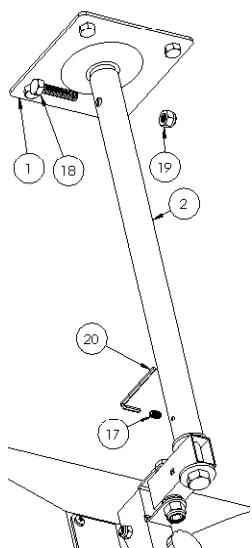
www.CablesPlusUSA.com



Step 5: Attaching the support tube to the extension tube



Step 6: Attaching the monitor to the mounting plate



Step 7: Connecting the extension tube to the ceiling plate

Step 5

Attach the support tube (3) to the extension tube (2) using the M12 screw (10) and washers (11).

Step 6

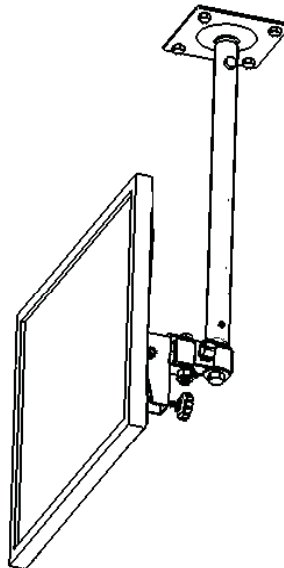
Attach the mounting plate assembly from step 2 to your LCD monitor using the M4 or M5 screws (21) or (22) as appropriate.

Step 7

Attach the extension tube (2) to the ceiling plate (1) using the 5/16" screw (18) and nylon nut (19). Secure the M12 screw (10) from slipping in the extension tube (2) by tightening the 1/4" brake screw (17) into the threaded hole in the side of the extension tube (2) using the Allen key (20).

Step 8

Insert end plugs (14) into the support tube (3). For cable management, insert the cable clips (13) by pushing the arrow ends into the square holes in the support tube (3). *Please verify that all nuts and screws are securely tightened.*



Enjoy Your Mount!

WARNING: The installer of these products must verify that the mounting surface, ceiling or wall, will safely support the combined weight of all attached equipment and hardware. Video Mount products will not be held liable for the improper use or installation of its products.