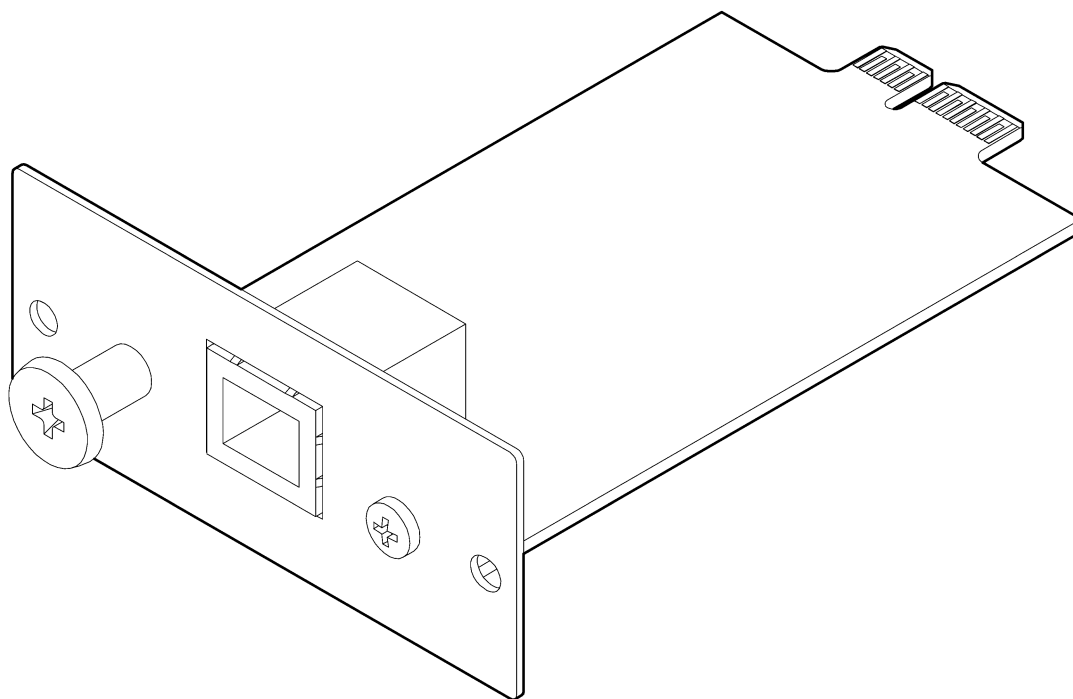


Product Spec Sheet
Dante Interface CARD
IF-DA2



■ **Specifications**

Ratings

- **Sampling rate and number of channels**
44.1/48/96 kHz, 2 channels.

Input/output ratings

• **Ethernet connectors**

Connector:	RJ-45
Transmission protocol:	Dante
Ethernet standard:	100BASE-TX
Cables:	category 5e or faster.

Other

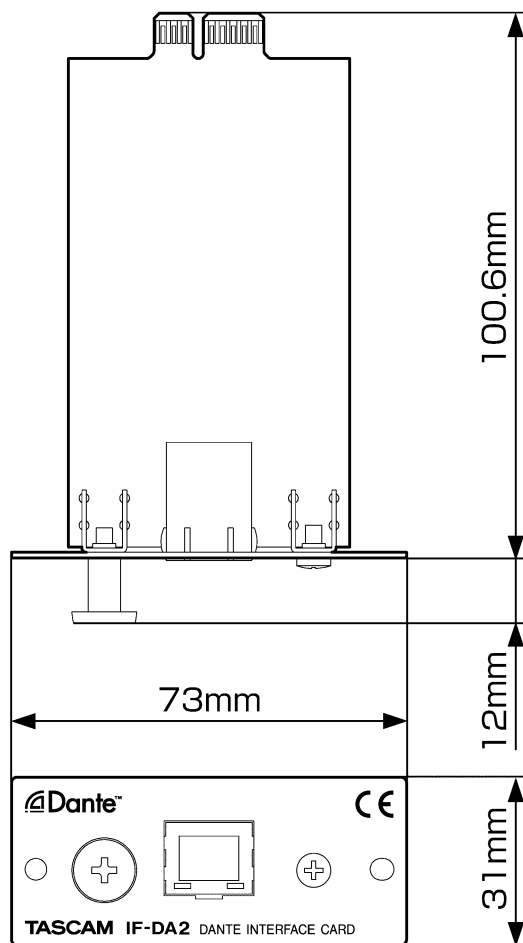
• **Dimensions**

73 × 31 × 112.6 mm (width × height × depth, including protrusions)

• **Weight**

50.5 g

■ Dimensional drawings



※TASCAM is trademark of TEAC CORPORATION, registered in the U.S. and other countries.
※Other company names, product names and logos are the trademarks or registered trademarks of their owners.
※Specifications and appearance are subject to change without notice.
※All information included in this document is as of Feb, 2017.