

DESCRIPTION

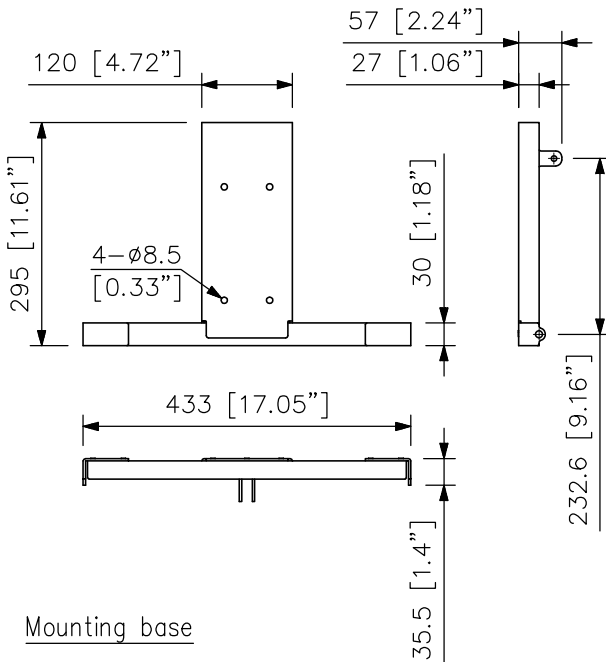
The HY-ST7 Speaker Stand Adapter is used to mount the HX-7 series Speaker System on a speaker stand.

SPECIFICATIONS

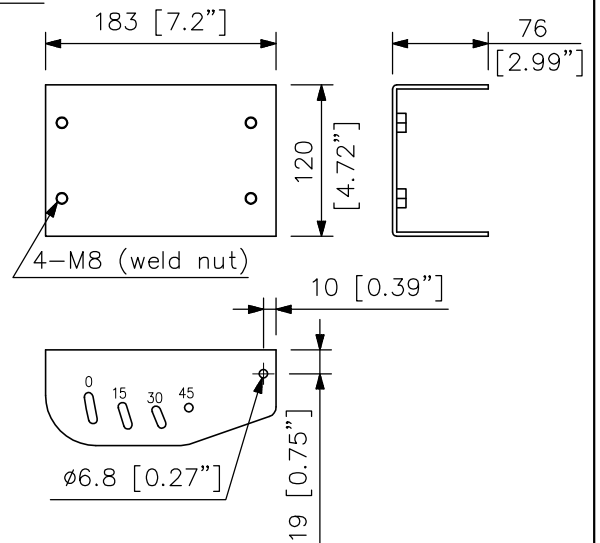
Applicable speaker	HX-7B, HX-7W
Applicable stand (Recommended product)	Speaker stand: K&M 21300 Mounting adapter: K&M 19580
Finish	Steel plate, black, semi-gloss, paint
Weight	4.3 kg (9.48 lb)
Accessory	Speaker mounting bolt \times 1 set, Bracket mounting bolt \times 1 set
Product composition	T-bracket \times 1, Angle bracket \times 1, Mounting base \times 1

APPEARANCE

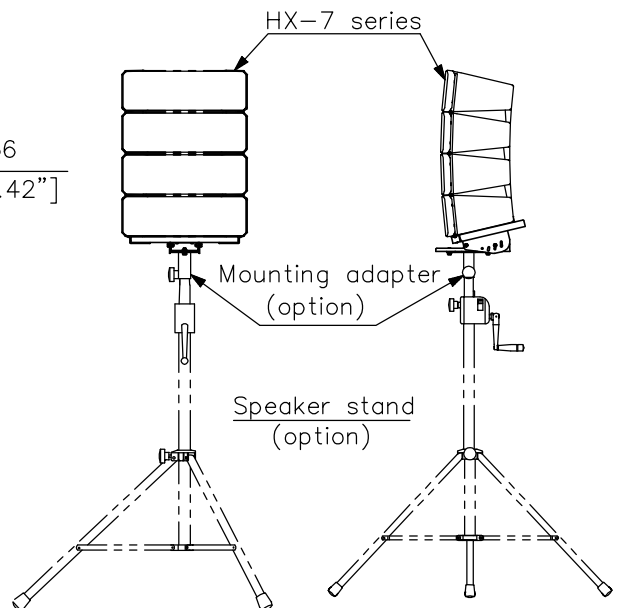
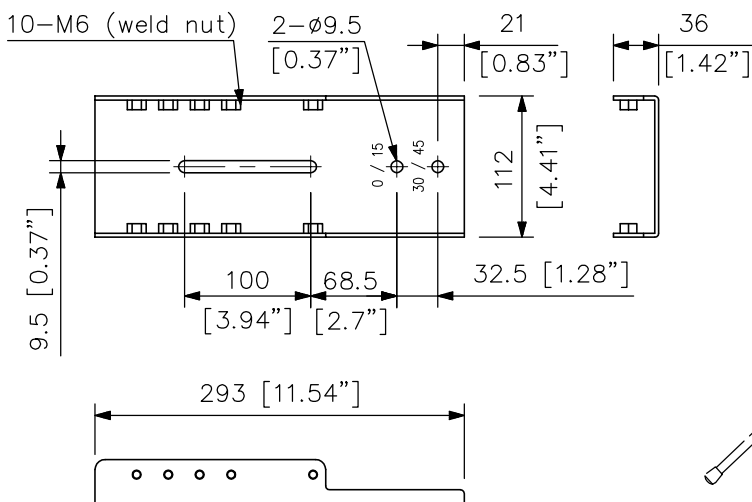
T-bracket (scale: 1/10)



Angle bracket



Mounting base



Note: To prevent the stand from falling down, use the stand with its inner pipe fully lowered to ensure safety.

Stand mounting example (scale: 1/50)

UNIT:mm SCALE:1/6