

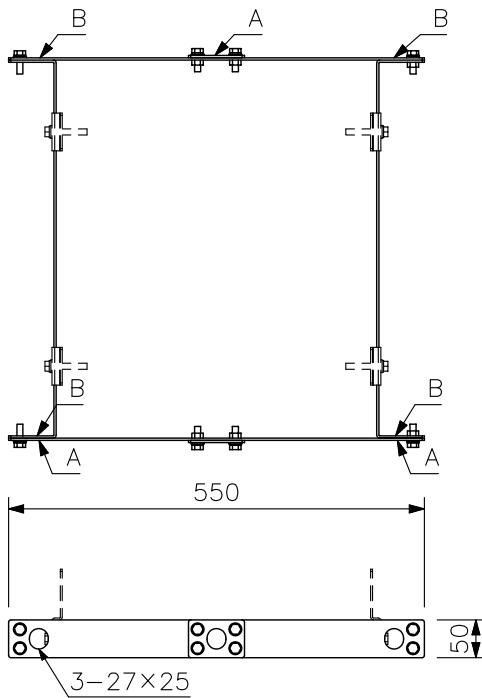
DESCRIPTION

The HY-PF1W is used exclusively to suspend the HX-5 speaker system from the ceiling.
The FB-120 series Subwoofer can be suspended using this frame and the frame's supplied mounting brackets. This bracket is designed for indoor use.

SPECIFICATIONS

Finish	Steel plate, white, semi-gloss paint
Dimensions	550 (W) × 50 (H) × 512 (D) mm
Weight	3.6 kg
Accessory	Subwoofer mounting bracket ...4, Bracket fixing bolt (M8) with washer ...4, Subwoofer mounting bolt (M8) with washer ...4, Bracket fixing nut (M8) ...4, Bracket fixing washer (M8) ...4

APPEARANCE



Hanging the HX-5W

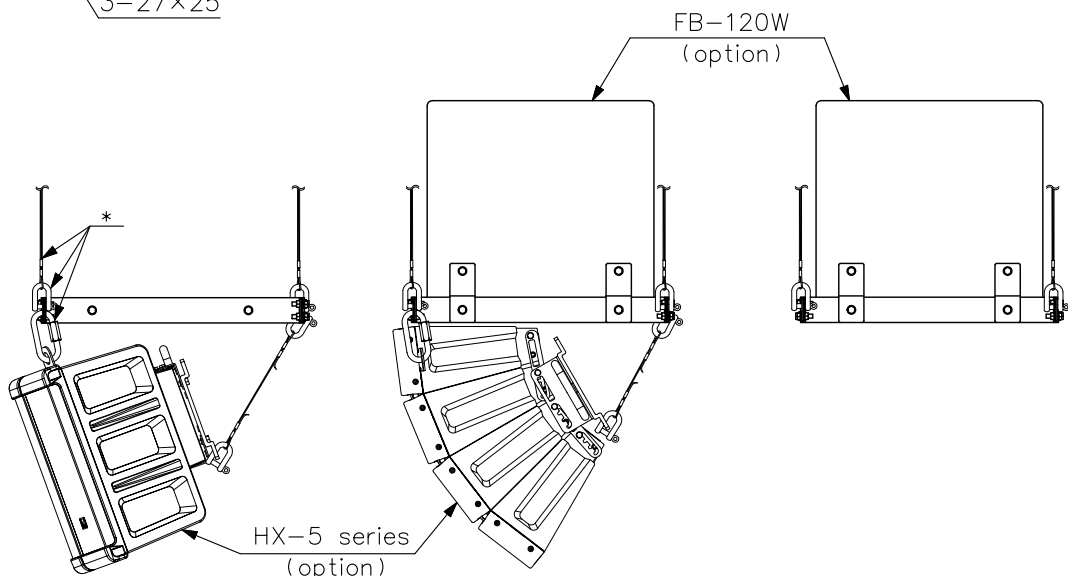
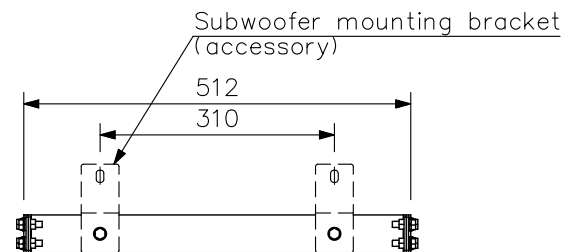
Holes A are used for hanging between the HY-PF1W and the HX-5W, and also between the HY-PF1W and the ceiling (3-point hanging).

Hanging the HX-5W with the FB-120W mounted

Holes A are used for hanging between the HY-PF1W and the HX-5W (3-point hanging), and Holes B for hanging between the HY-PF1W and the ceiling (4-point hanging).

Hanging the FB-120W

Holes B are used for hanging between the HY-PF1W and the ceiling (4-point hanging).



Hanging horizontally

Hanging vertically with the subwoofer

Hanging the subwoofer only

Example for HX-5W and FB-120W mounting

(scale :1/15)

UNIT:mm SCALE:1/10

* Note: Wires, anchor shackles, and carabiners necessary for hanging are not supplied with the product.