

FFT-FPJ

Firefighter's Phone Jack Product Installation Document

1 Description

Use the following instructions as a quick reference guide. For more information, refer to the *IFP-FFT Installation Manual*, PN 54708 or the *SK-FFT Installation Manual*, PN 54711.

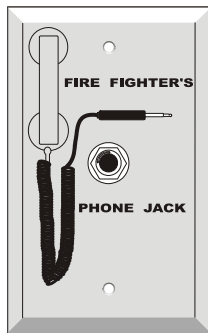


Figure 1 FFT-FPJ Remote Phone Jack

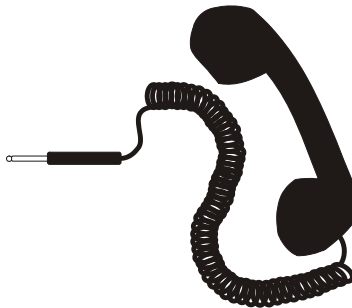


Figure 2 FFT-RHS Fire Fighter's Remote Handset

2 Mounting

The FFT-FPJ Firefighter's Phone Jack mounts to a single-gang electrical box (4" x 2.125" x 2.5"). If the FFT-FPJ is installed with an addressable mini monitor module, it mounts in a deep single-gang electrical box (4" x 2.125" x 3.25"). All circuits are power-limited and supervised.

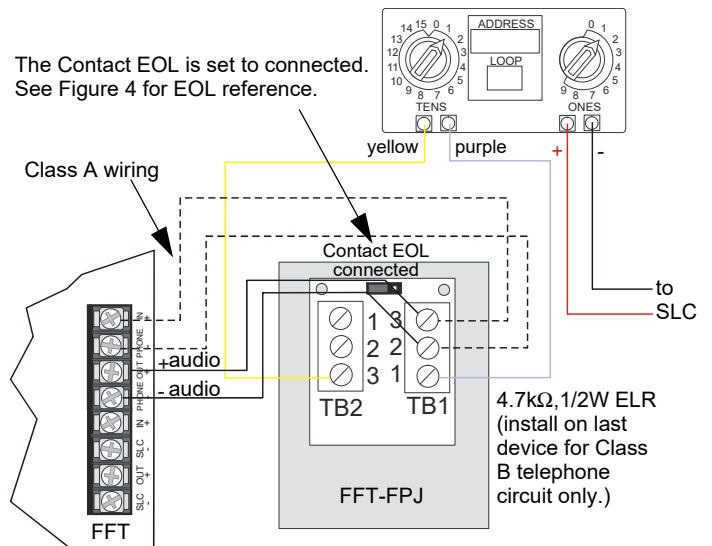


Figure 3 FFT to FFT-FPJ Connection



Figure 4 EOL Reference

3 Operation

To operate the FFT-FPJ remote phone jack, do the following.

1. To make a call to the FACP, insert the remote handset plug into the FFT-FPJ phone jack.
2. When the call is complete, remove the remote handset from the jack.