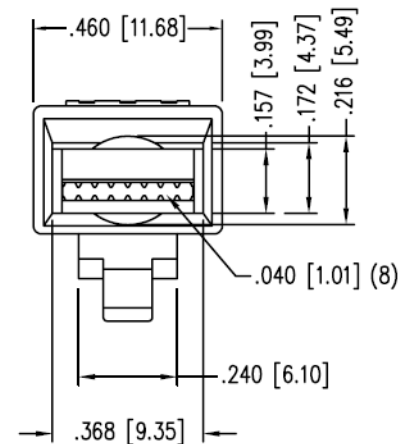
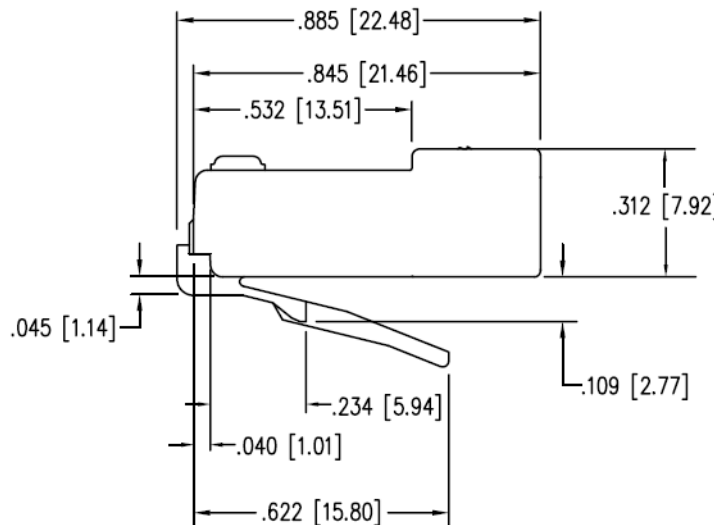
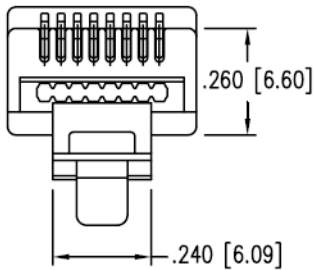
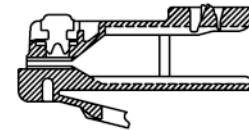
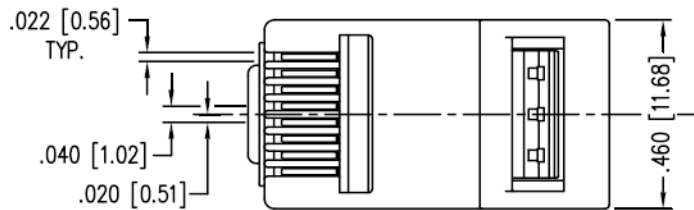
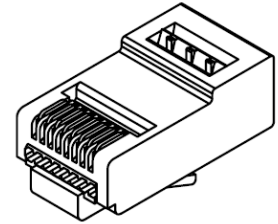


PART NO.: 105004 EZ-RJ45[®] Cat 6 Connector

- EIGHT CONDUCTOR MODULAR PLUG
- FOR CONDUCTORS WITH AN O.D. RANGE OF .037-.041"
- MAX CABLE OD: 0.275"
- USES .014 CONTACT
- FOR SOLID OR STRANDED WIRE APPLICATIONS
- RoHS COMPLIANT



SPECIFICATIONS:

PERFORMANCE:	MEETS OR EXCEEDS CATEGORY 6 ANSI/EIA 568-C.2 PERFORMANCE TUNED TO CABLES MEETING CATEGORY 6 SPECIFICATIONS
TRANSMISSION:	RATED 1 GIG (WILL NOT MEET 10 GIG REQUIREMENTS)
CONTACT MATERIAL	PHOSPHOR BRONZE .014 THK
CONTACT PLATING	50 MICRO INCH SELECTIVE 24 CARAT HARD GOLD IN CONTACT AREA OVER 100 MICRO INCH MINIMUM NICKEL PLATE.
PLUG MATERIAL	POLYCARBONATE
PLUG TOLERANCES/DIMS	COMPLIES WITH F.C.C. REQUIREMENTS
OPERATION TEMPERATURE	-40° TO +85° C
UL RECOGNIZED	FILE# E188111
FLAME AUTO EXTINGUISH	94-VO
INSERTION/EXTRACTION	1000 CYCLES
CONTACT RESISTANCE	10 MILLIOHMS MAX.
CURRENT VOLTAGE	30 VAC/42 VDC AT 1.5 AMPS

MANUFACTURED BY SULLSTAR TECHNOLOGIES, INC. PATENTED: 5,996,224, 6,017,237 and 6,105,229 AND FOREIGN PATENTS. PATENTS INSURED. EZ-RJ45[®] IS A REGISTERED TRADEMARK OF SULLSTAR TECHNOLOGIES, INC.