

Overview

SALTO Unified Power Systems combine FlexPower® power modules alongside Salto CU42E0, CU4200, or CU4EB8 Modules in one compact and secure solution.

This unit is a 150W 12V and 24V DC dual voltage access power system.

The C8 lock control module provides eight access control inputs capable of voltage or dry contact activation, and eight fused outputs programmable for failsafe / failsecure operation at either 12 or 24 VDC and controlled by the integrated fire alarm interface circuit on the FPO. One D8 module provides eight fused outputs and each output is configurable for 12 or 24VDC operation.

SALTO access enclosures are painted steel with four removable controller backplates and include lock, two (2) keys and tamper switch.



System Features

- ◆ **FPO offline power supply**
 - 120 or 230 VAC input
 - 12 and 24 VDC outputs
 - On board Fire Alarm Interface
 - Continuous and resettable DC
- ◆ **Distributed output module**
 - Eight auxiliary - fused at 3A each
 - Eight lock control - fused at 3A each
- ◆ **Expansion options**
 - Increased power, multiple voltages
 - Additional distribution outputs
 - Network monitoring and reporting
- ◆ **Lifetime Warranty**

Enclosure Features

- ◆ **Labor saving design**
 - Pre-wired power section
 - Pre-punched knockouts
 - Preinstalled brackets hold four SALTO modules
 - Flexible backplate mounting locations
 - Access panels mount on threaded studs - no drilling required
- ◆ **Additional benefits**
 - Wire management room
 - 6.5" enclosure depth fits battery set
 - Tamper switch, lock, dual key set standard
 - Mounting hardware for access boards included

Ordering

FP0150-B100C8D8E4-4SL1

Description

150W (12V & 24V) 8 lock / 8 aux outputs, holds 4 modules



Specifications

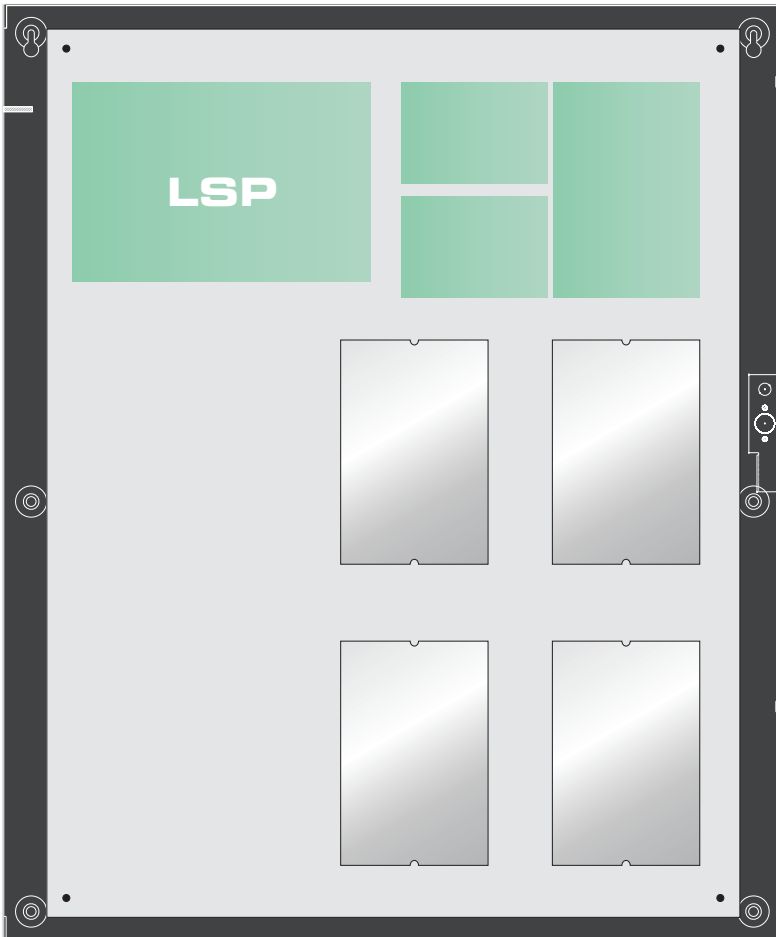
Input Power	Input 120/230 VAC 50/60 Hz 170 Watts (1.41 Amps) Overload and short circuit protection Over temperature protection Polarized AC power supply disconnect
Output Power	4A@12V and 4A@24V DC, 150W maximum combined output power Outputs: Continuous (DC1) Resettable (DC2) 8 auxiliary outputs, fused at 3A each 8 control outputs, fused at 3A each 120 mV output voltage ripple System Efficiency: 88% System BTU Rating: 66 BTU/Hr
Battery Charging	Independent built-in 2A charger for sealed lead acid or gel type batteries Microprocessor dual rate charging of 24 V battery sets Automatic switchover to standby battery when AC fails Zero delay when switching over to battery backup
Supervision	AC Fail (form "C" contacts) System fail (form "C" contacts) may be triggered by low/no battery, short to earth ground and power supply failure
Visual Indicators	AC input, DC1 and DC2 output System fault AC fault Short to earth ground Reverse battery polarity Fire Alarm Input activated B100: DC input / output and fault C8: DC output and fault D8: DC output
Regulatory Compliance	UL294, UL603, UL1076, ULC S318, ULC S319
Mercury/LSP	CSA C22.2 #107.1, CSA 22.2 #60950
Joint Listing	CSFM / FCC Part 15, Subpart B CE
Enclosure Dimensions	Size: 24.00H x 20.00W x 6.50D in. (61.00 x 50.00 x 17.50 cm) Weight: 38 lbs.
Access Panel Mounting	Pre-installed brackets for four (4) SALTO controllers - CU42E0, CU4200, CU4EB8

E4 Enclosure - SALTO Mounting Guide

SALTO	Module per bracket	Brackets per Enclosure	Total Modules
CU42E0	1	4	4
CU4200	1	4	4
CU4EB8	1	4	4

Enclosure Features

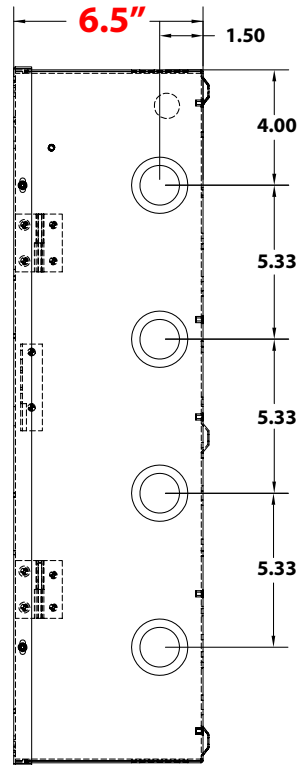
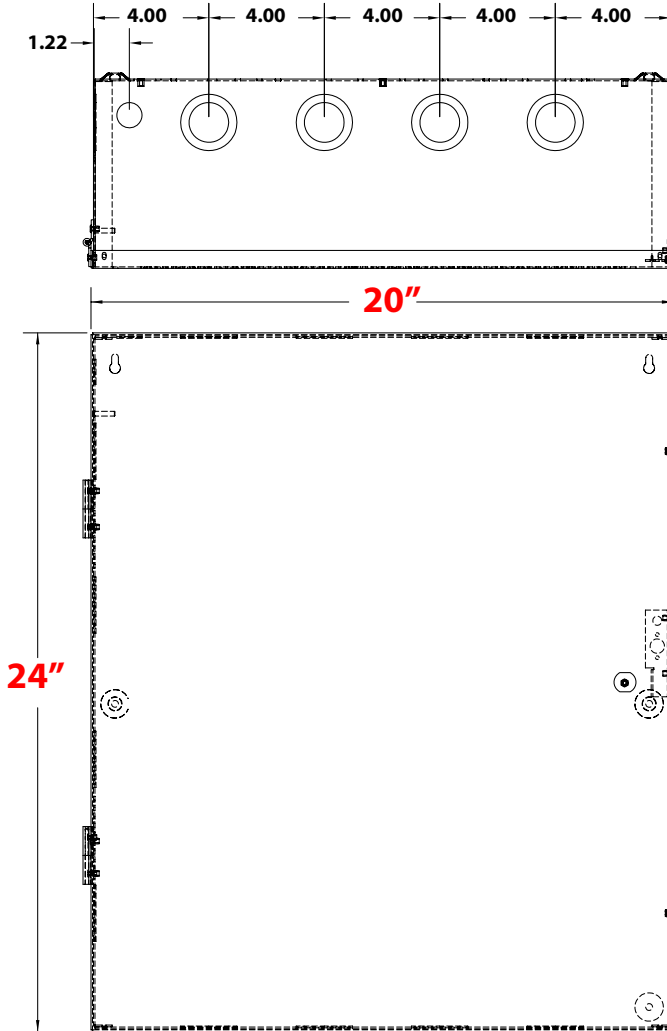
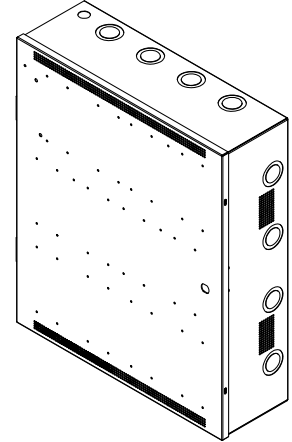
- ◆ **Custom SALTO Backplate**
 - LSP power modules pre-wired
 - Four brackets - mount four (4) SALTO controllers
- ◆ **Mechanical**
 - 6.5" cabinet depth
 - Removable door with "fast disconnect" ground strap
 - Multiple knockouts all four sides
 - Network module mounting holes for field upgrade



each bracket
mounts one controller



Enclosure Dimensions (H x W x D) 24.00" x 20.00" x 6.50" (61 x 51 x 16.5 cm)



LifeSafetyPower.com

(888) 577-2898
info@lifesafetypower.com

Specifications subject to change without notice.

© 2022 LifeSafety Power. All rights reserved. LifeSafety Power and FlexPower are registered trademarks of LifeSafety Power. This literature is for guidance only. It does not constitute recommendations, representation, or advice, nor is it part of any contract. Our policy is one of continuous product improvement, and the right is reserved to modify the specifications contained herein without notice.

P01-1047A 07/22

LifeSafety Power
10027 S. 51st Street, Suite 102
Phoenix, AZ 85044 USA