

DH-PFB305W

Wall Mount Bracket



Features

- Wall mount bracket
- Material: Aluminum
- Safety tether hook for secure and reliable installation

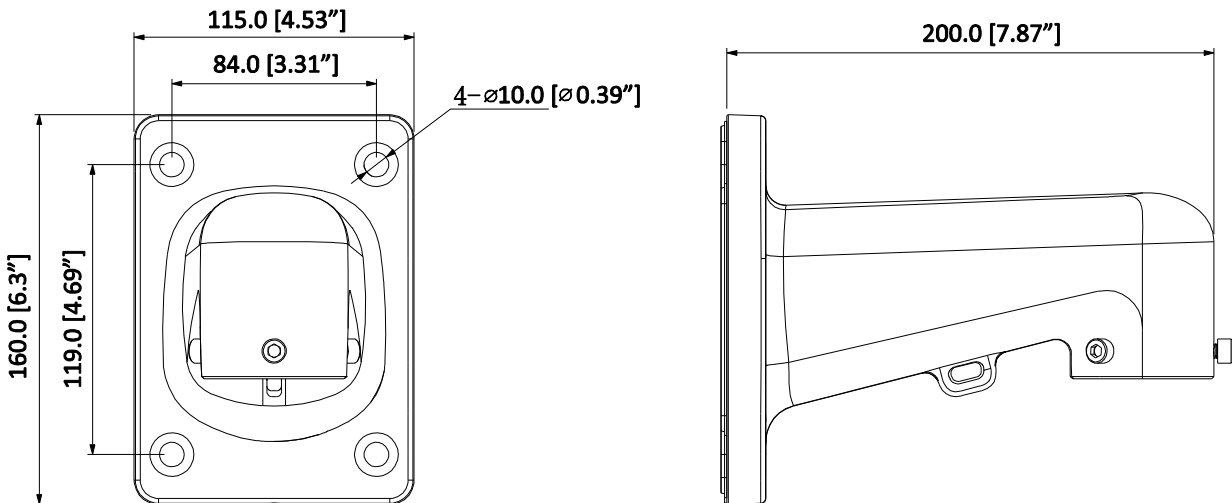
Technical Specifications

Model	DH-PFB305W
General	
Material	Aluminum
Dimension(WXHXD)	200.0 x 160.0 mm x 115.0 mm (7.87 in. x 6.3 in. x 4.53 in.)
Weight	0.87 kg(1.92 lb)
Load Bearing	5.0 kg (11.02 lb)
Color	White
Operating Temperature	-40°C to 60°C (-40°F to 140°F)
Humidity	<90% RH
Applicable Model	DH-PFA106, DH-PFA120, DH-PFA150, DH-PFA151

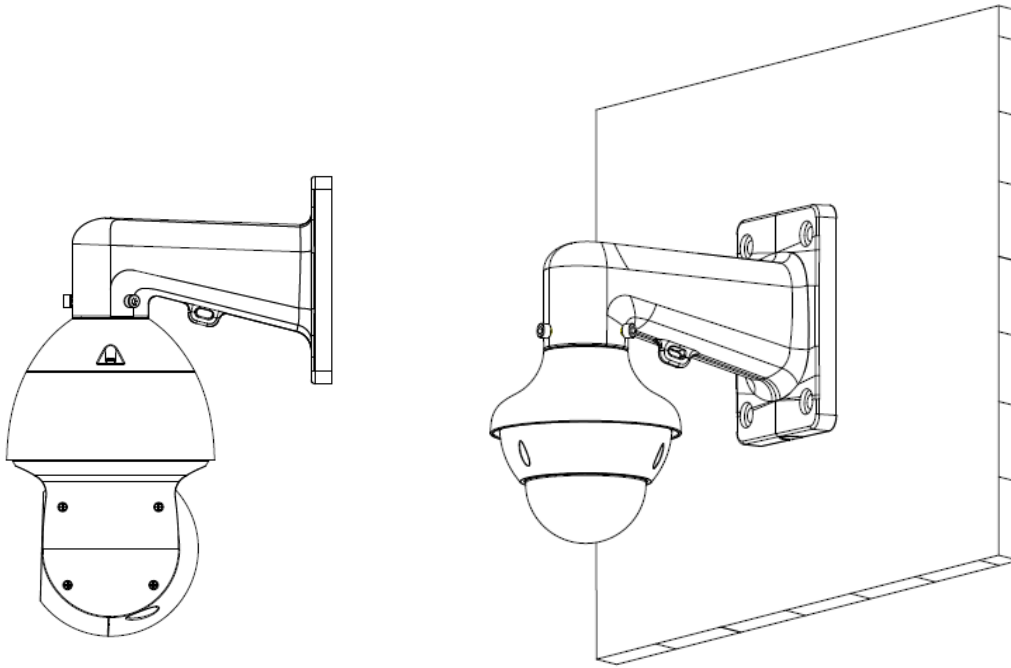
Order Information

Type	Part Number	Description
Camera Mount Series	DH-PFB305W	Wall mount bracket _ Dahua brand

Dimensions (mm/inch)



Application



Package Information

- Wall mount Bracket *1
- M6 screw *3
- Wrench *1