

INSTALLATION INSTRUCTIONS

TRUSS SPANNING ADAPTER

CMA-366

The bracket is a universal method for quick, easy installation of NPT 1 1/2" pipe to or above a variety of structures. By using any length of standard NPT 1 1/2" pipe threaded both ends, you can extend the height capabilities to meet your needs.



WARNING: WARNING: IMPROPER INSTALLATION MAY RESULT IN SERIOUS PERSONAL INJURY! When mounting Chief Manufacturing accessories, the structural system and mounting method **MUST** be capable of supporting 5 times the combined weight of the total installation. The maximum weight to be installed on the truss spanning adapter is 250 pounds (113.4 kg).

Unpack carton and verify kit contents.

- | | |
|---|----------------------------|
| (1) PLATE, truss hang down with 4" x 4" ceiling plate | (4) WASHER, flat, 3/8" |
| (2) CLAMP, U, 2" pipe | (1) SETSCREW, 10-24 x 1/4" |
| (4) BOLT, hex, 3/8-16 x 2" | (1) WRENCH, Allen, 3/32" |

Installation

1. Secure the hang down truss plate with ceiling plate to a structural member in the desired location using two clamps, four 3/8-16 x 2" bolts and four 3/8" flat washers. (See Figure 1)
2. Install NPT 1 1/2" pipe and secure using 10-24 x 1/4" setscrew.

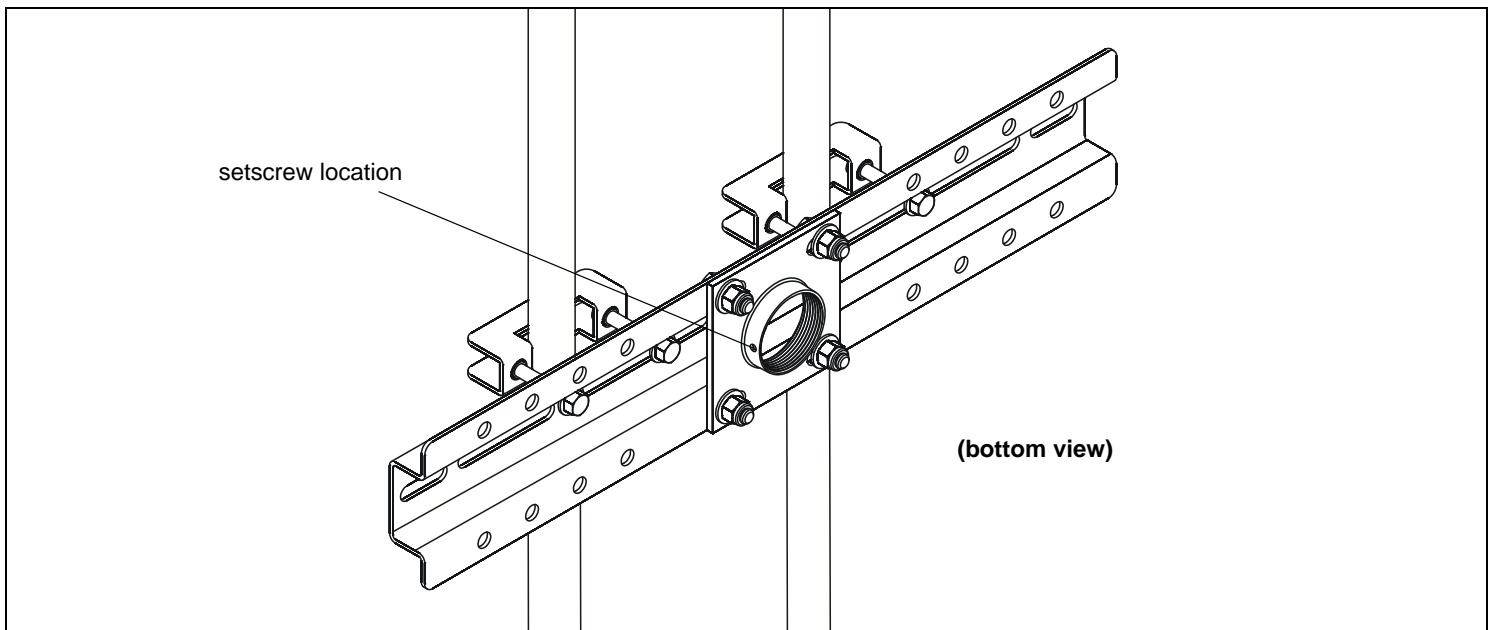


Figure 1: CMA-366



Milestone AV Technologies, and its affiliated corporations and subsidiaries (collectively, "Milestone"), intend to make this manual accurate and complete. However, Milestone makes no claim that the information contained herein covers all details, conditions or variations, nor does it provide for every possible contingency in connection with the installation or use of this product. The information contained in this document is subject to change without notice or obligation of any kind. Milestone makes no representation of warranty, expressed or implied, regarding the information contained herein. Milestone assumes no responsibility for accuracy, completeness or sufficiency of the information contained in this document.