

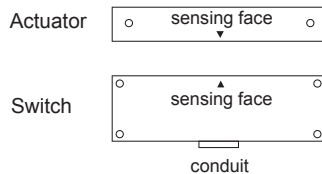
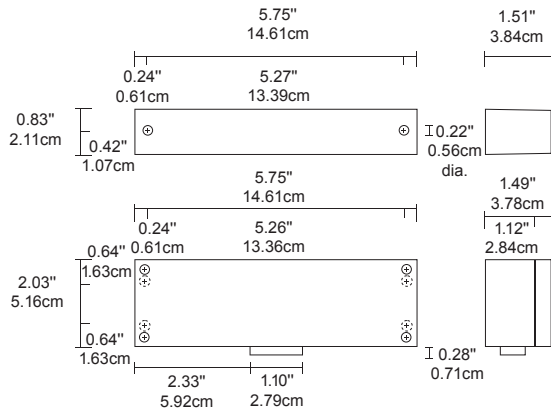
# Non-Contact Interlock/Position Switch 171 GuardSwitch Explosion Proof

## Applications

- Explosive Environments
  - Automotive Paint Companies
  - Industrial Paint Companies
  - Grain Mills
  - Chemical/Toxic Environments
  - Fertilizer Manufacturers
- Enclosure UL classified for hazardous locations classes:
  - Class I, Group B, C, D
  - Class II, Group E, F, G
  - Class III, Divisions 1 & 2

## General Specifications

Enclosure	UL Explosion proof, Die Cast Aluminum
Temperature Range	-40°F to 180°F (-40°C to 80°C)
Environmental	Hermetically Sealed Contact Switch Encapsulated in Polyurethane
NEMA Rating	1, 2, 5
Protection Class	IP 64
Response Time	1 msec; 10 msec (150VA)
Life Cycles	100,000 Under Full Load; Up to 200,000,000 Under Dry Circuit
Conduit Connection	1/2" Threaded NPT
UL	Enclosure Only



## Order Information      Electrical Specifications

Part Number	Contact <sup>1</sup> Config.	Load Rating		Switching Voltage, Max.		Switching Current, Max.		Contact Resistance	Sense Range <sup>2</sup> Nominal	Break Range Nominal	Terminal Type
		AC	DC	AC	DC	AC	DC				
171-6Z	N.O.	25VA	25W	120V(@0.2A)	100V(@0.2A)	0.7A (@35V)	1.0A (@25V)	0.2 Ohms	1.5"(3.8cm)	2.4"(6.1cm)	#6 Screw

**Warning— Each electrical rating is an individual maximum and cannot be exceeded!**

<sup>1</sup> Configuration with actuator away from the switch

<sup>2</sup> Proximity of ferrous materials usually reduces sense range — typically by 50%. The shape and type of material cause a wide diversity of effects. Testing is required to determine actual sense range for specific applications.

INTERLOCK SWITCH  
100 SERIES