

ACCESSORIES

Model AMS-PB1

Momentary DPDT Pushbutton

Terminal block connections

- Mounts in D-Style Standard Cutouts
- Mounts in all AMS Mounting Frames
- Mounts in RDL Decora-Style Wall Plates
- Availability of a Wide Variety of Associated AMS Accessories
- Bezel Provides Professional Aesthetic Appearance
- Provides Flexibility for Connections and Controls



The AMS SYSTEM is a versatile product group from Radio Design Labs. The unique design allows the associated AMS accessories to mount into any standard RDL RACK-UP® or HALF-RACK mounting opening as well as other RDL mounting accessories and enclosures. These optionally available RDL rack mount, wall mount and countertop enclosures make the AMS SYSTEM accessories useful in a wide variety of installations.

APPLICATION: The AMS-PB1 is an accessory with a DPDT momentary pushbutton switch that mounts in AMS mounting frames and in standard D-style cutouts. Two high quality terminal blocks are provided for the connections. The front plate and bracket are constructed of black satin powder coated steel. A black plastic bezel is provided to finish the D-style cutout hole when the accessory is mounted. These accessories are designed to mount behind the front panel of industry products that provide D-style cutouts.

ACCESSORIES

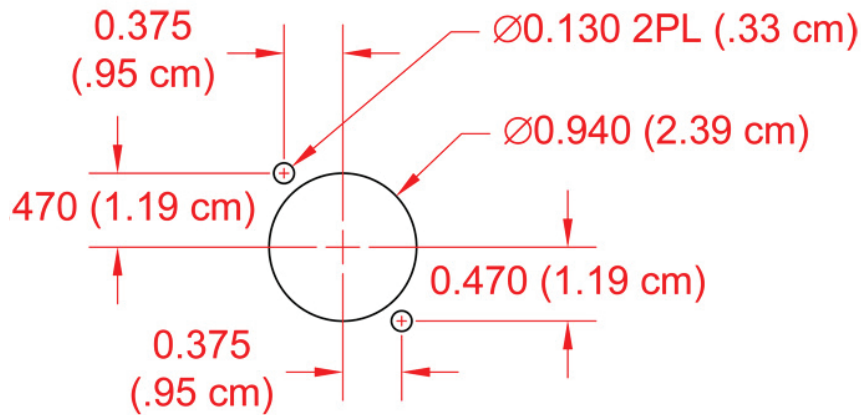
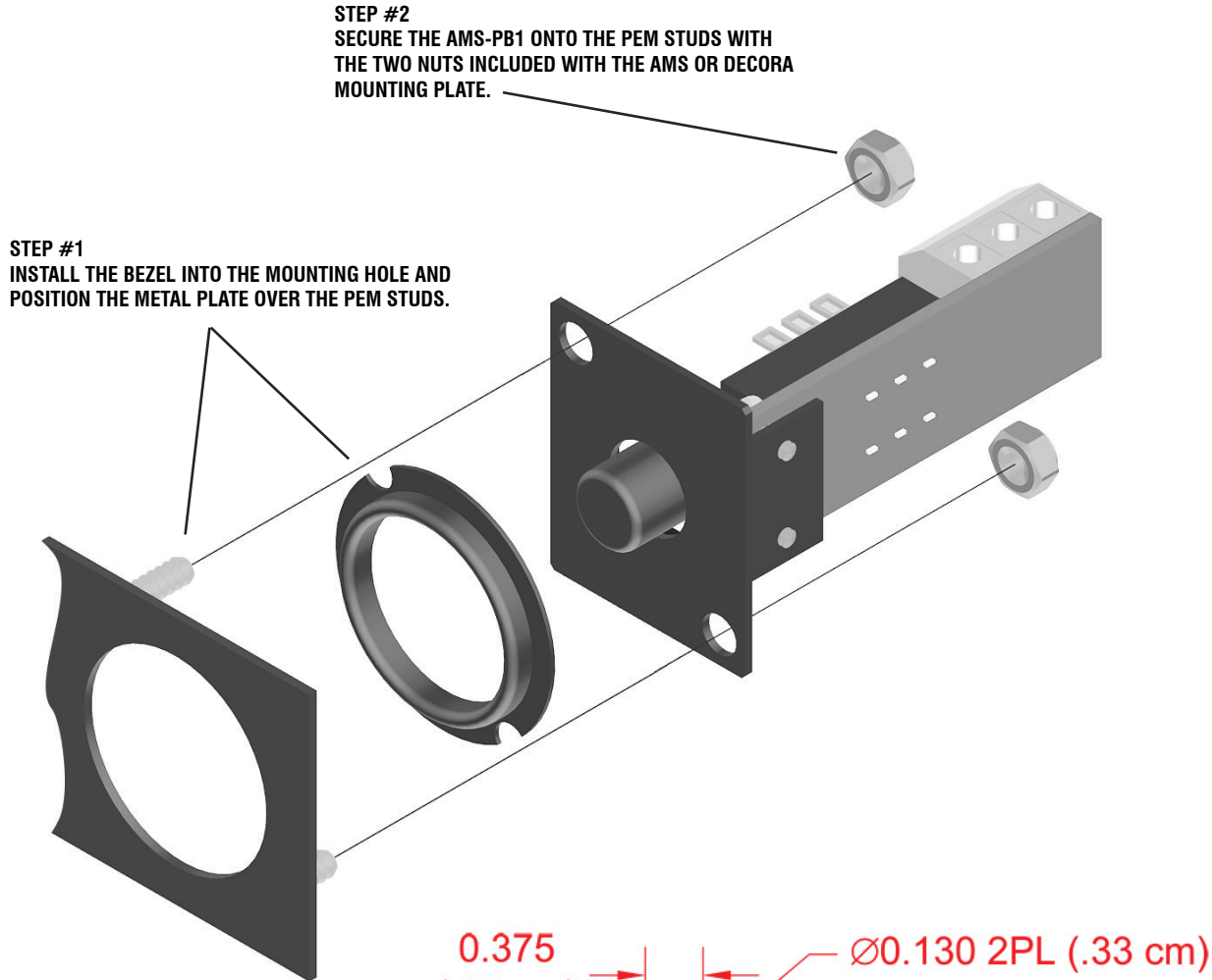
Model AMS-PB1

Momentary DPDT Pushbutton

Terminal block connections

Installation/Operation

CE Declaration of Conformity available from rdlnet.com.
Sole EMC specifications provided on product package.
Specifications are subject to change without notice.



Front View
Standard D-Style Cutout Dimensions

TYPICAL PERFORMANCE

Mounting:	AMS mounts; D-Style cutouts
Depth (behind the panel):	2.08 in
Ambient Operating Environment:	-10 to 60 degrees C
Maximum Switching Power:	15 W (30 Vdc, 0.5 A)