



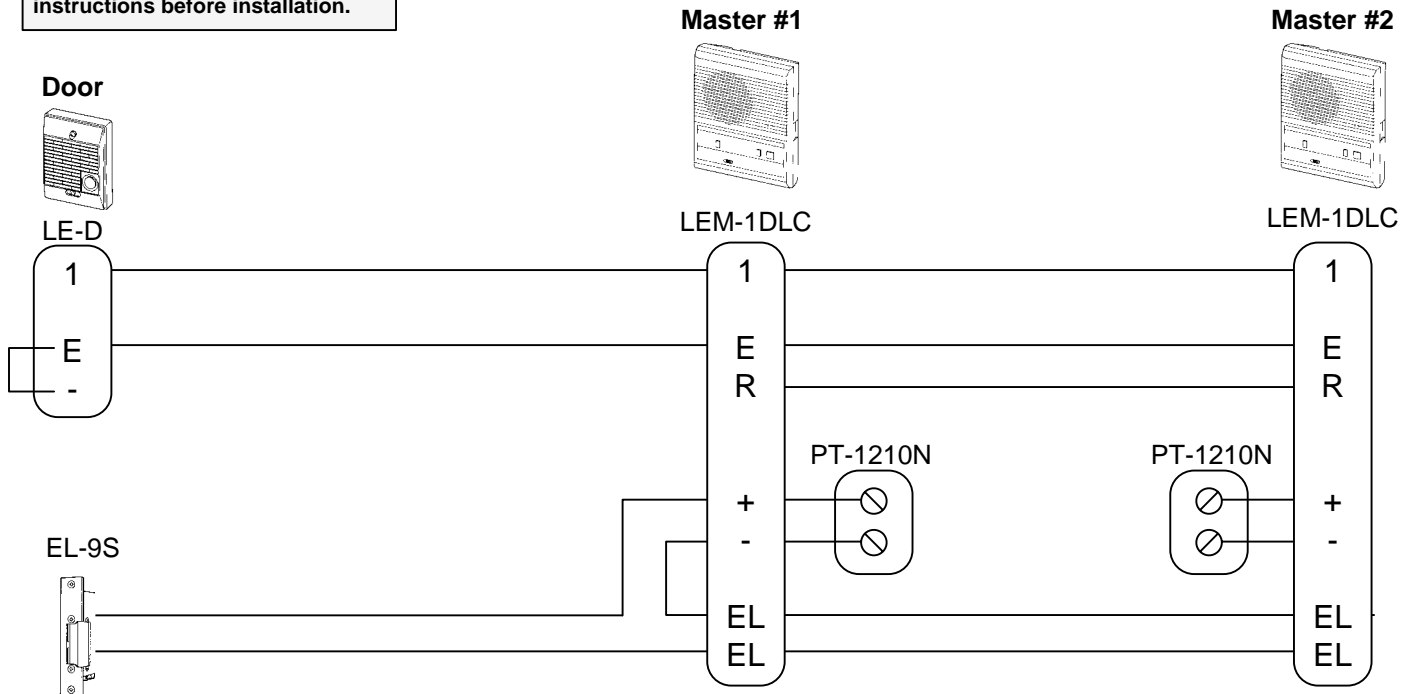
# LEM-1DLC

Multi-Master Access Sentry System

**Master Station for Multiple Master Use, including Occupied Lamp**

Please read and understand all instructions before installation.

## - INSTRUCTIONS -



### IMPORTANT!!!

Each master **REQUIRES** an individual PT-1210N power supply.

#### OPERATION NOTES:

1. Only one master can be used at a time.
2. When the answering master presses the TALK button, the red LED above the OFF switch will light on both masters. This feature is controlled by the "R" wire between masters.
3. When the OCCUPIED light is illuminated, do not press the TALK button on the non-answering master, or a feedback will be heard throughout the system. If this occurs, turn off one of the masters (depress OFF button). At that time, communication between the door and the answering master can continue normally.
4. There is no communication between masters.

#### INSTALLATION GUIDELINES:

1. Separate power supplies (12-16V AC or 12-24V DC) are required at each master station.  
*DO NOT CONNECT +/- WIRES BETWEEN MASTERS. Keep wires for power and communication in separate jackets.*
2. The door strike can be powered from one of these power sources (as shown) or from an independent source. Door release contact rating on the LEM-1DLC is 24V DC, 1A max.
3. The EL-9S is designed for a standard wood framed door, and for light to medium usage. If a different type of door is used, install a strike appropriate for that door.
4. The LEM-1DLC provides a "normally open" contact closure for door release.
5. If using a magnetic lock, either the RY-18L or RY-24L relay will be required to get a normally closed contact.  
(See diagram on back)

Aiphone Communication Systems  
1700 130th Ave. N.E.  
Bellevue, WA 98005  
(425) 455-0510  
FAX (425) 455-0071

#### TOLL FREE TECHNICAL SUPPORT:

(800) 692-0200

TOLL FREE FAX LINE:

(800) 832-3765

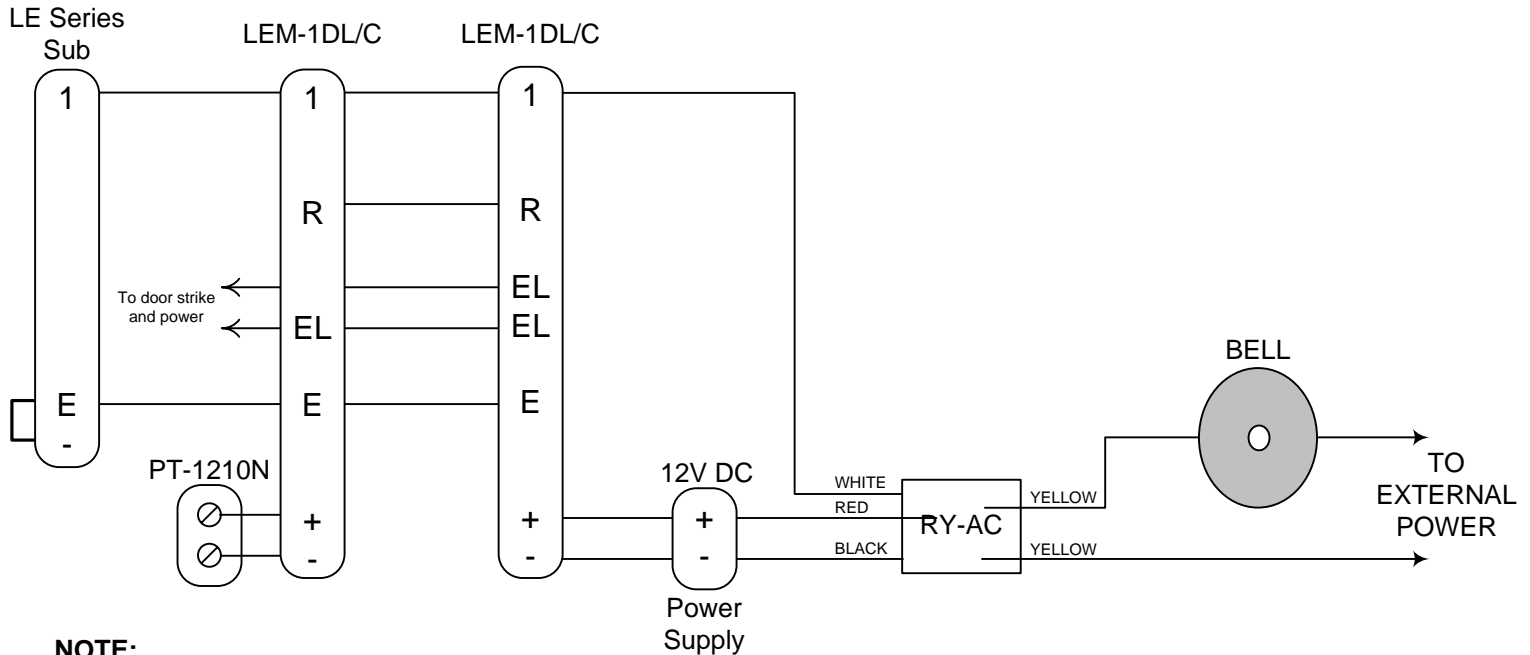
E-MAIL: tech-serv@aiphone.com

Available from A1 Security Cameras

www.a1securitycameras.com email: sales@a1securitycameras.com

**External Signaling:**

Trigger and external bell or sounder when the door station button is pressed.



**NOTE:**

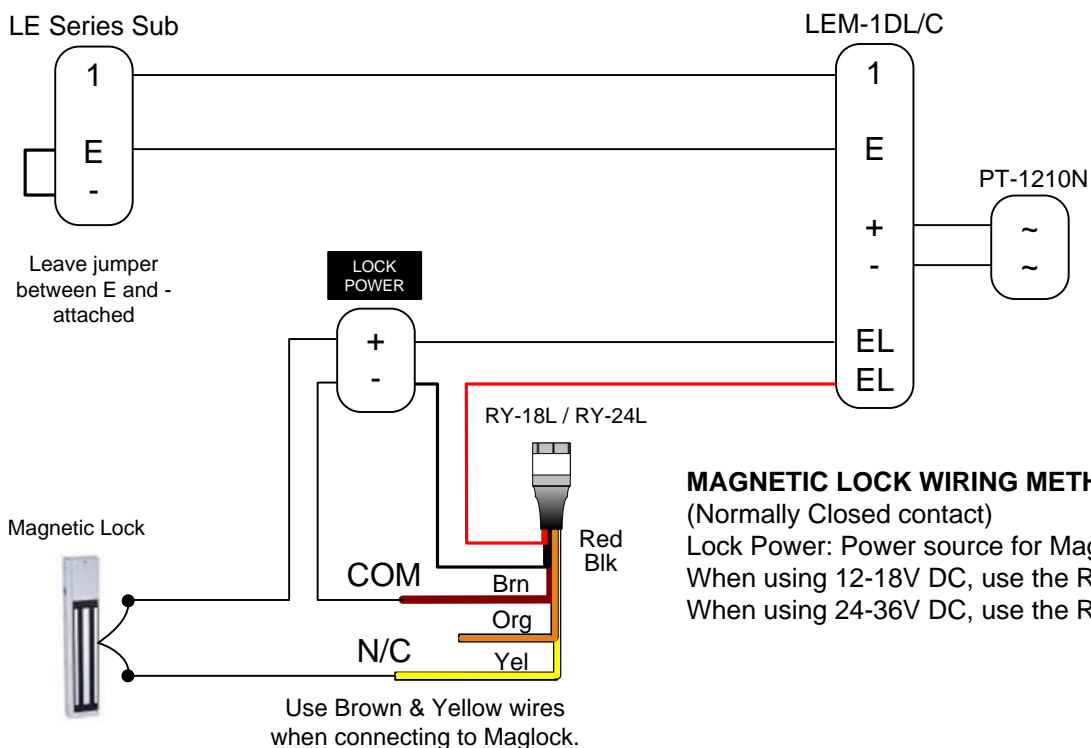
1. Use a 12V DC power source, 500mA or greater, for the RY-AC. An Aiphone PS-1225UL can be used to power both the relay and the one LEM-1DL/C. The second LEM-1DL/C must be powered separately.
2. The LEM-1DL/C that does not have the RY-AC connected may use the PT-1210N power supply.

**SYSTEM CONFIGURATION:**

**LEM-1DL/C with Door Release contact activating a Normally Closed relay for Magnetic Lock**

Note: For applications requiring a Normally Closed (N/C) contact (Magnetic locks, etc), an external relay should be chosen based on the lock's power source.

- When using a 12-18V DC magnetic lock, Aiphone's RY-18L may be used.
- For 24V DC magnetic locks, Aiphone's RY-24L relay may be used.
- A 3<sup>rd</sup> party relay of similar specifications may also be used. Refer to manufacture's documentation for connection details.



**MAGNETIC LOCK WIRING METHOD:**

(Normally Closed contact)  
Lock Power: Power source for Magnetic Lock  
When using 12-18V DC, use the RY-18L.  
When using 24-36V DC, use the RY-24L.