



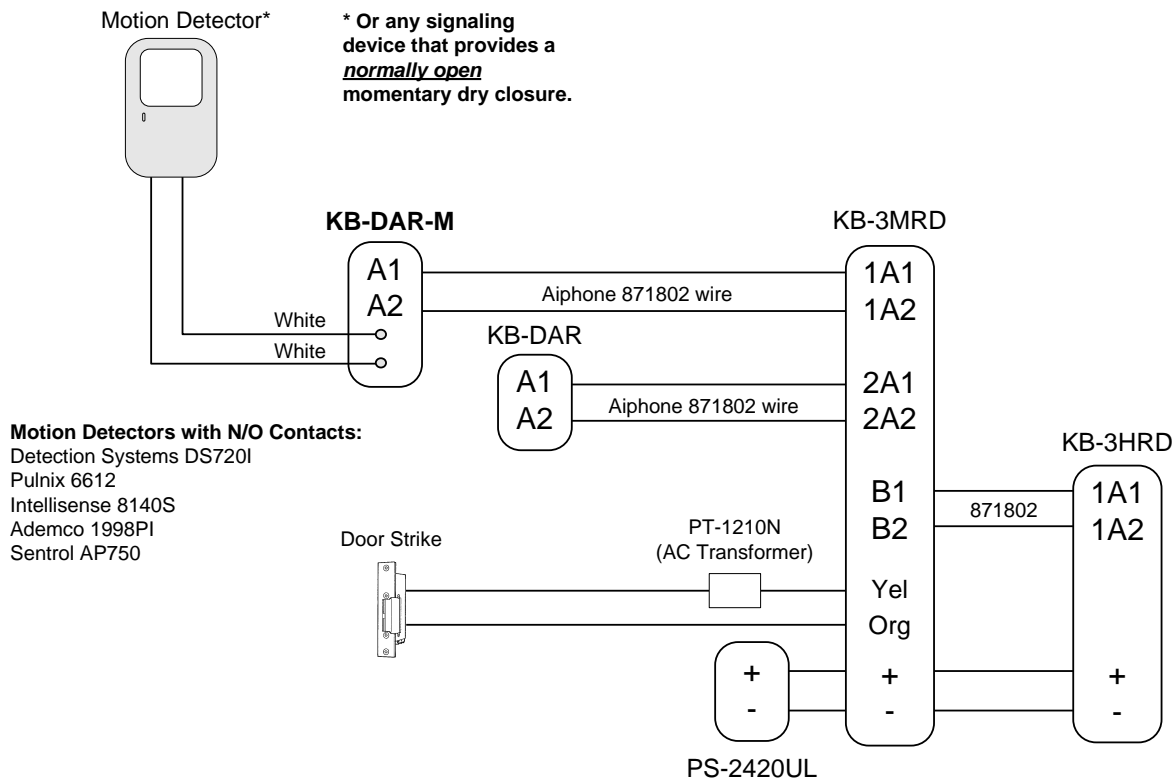
KB-DAR-M

KB-DAR Modified for Motion Detector Interface

- INSTRUCTIONS -

The KB-DAR-M allows any standard motion detector or activation device with a normally open contact to be interfaced with the KB-3MRD Video System. When the motion detector is tripped, the camera will turn on and a chime will be heard at the inside monitor station(s), indicating that there is some activity near the door station location.

WIRING DIAGRAM:



Motion Detectors with N/O Contacts:
 Detection Systems DS720I
 Pulnix 6612
 Intellisense 8140S
 Ademco 1998PI
 Sentrol AP750

Installation Guidelines:

1. The motion detector must provide a normally open momentary contact. A Photoelectric beam, pressure pad, or remote call button can also be used to activate the video door station.
2. The KB-DAR-M works with the KB system only. Standard KB-DAR's can be used in the same system if they are not interfaced with a remote activation device.

Note:

Only information concerning the use of the KB-DAR-M is shown here.
 For complete system installation, please refer to the instruction manuals included with the video system.

Aiphone Communication Systems
 1700 130th Ave. N.E.
 Bellevue, WA 98005
 (425) 455-0510
 FAX (425) 455-0071

Toll Free Technical Support:
 1-800-692-0200
 E-mail tech@aiphone.com

KB-DAR-M Instr.
 0703bkjs