

A42

5MP Zoom Bullet with D/N, Adaptive IR, Extreme WDR, SLLS, 2.8x Zoom Lens



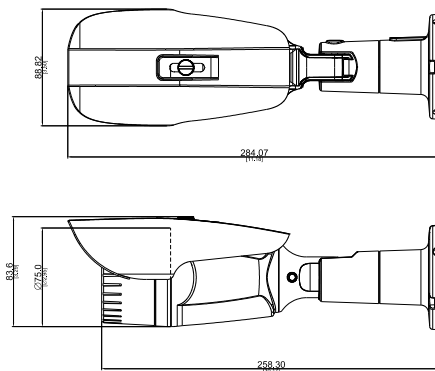
- 5 Megapixel with 1080p
- Day & Night with Superior Low Light Sensitivity and Adaptive IR LED
- 2.8x Zoom Lens with f3.6-10mm / F1.5-2.8, P-Iris, Auto Focus (for installation)
- Extreme WDR (100 dB)
- 30 fps at 2592 x 1944
- Weatherproof (IP66); Vandal Proof Metal Casing (IK10)

PHOTO INDICATION






- | | |
|----------------------|--------------------------|
| ① Audio Output | ⑤ Audio Input |
| ② DC 12V Power Input | ⑥ Ethernet Port |
| ③ Factory Reset | ⑦ Digital Input / Output |
| ④ BNC Video Output | |

DIMENSION DIAGRAM



Unit: mm [inch]

ACCESSORY OPTIONS

| Power Supply | | Popular Mounting Solutions | |
|--------------|---|---|---|
| PPOE-0001 |  | IEEE 802.3af PoE Injector for Class 1, 2 or 3 devices, with universal adapter | |
| | | |  |
| | | |  |

* For more mounting solutions, please refer to Project Planner on www.acti.com

PRODUCT SPECIFICATION

A42

• Device

| | |
|--------------------------|--|
| Device Type | Outdoor Zoom Bullet Camera |
| Image Sensor | Progressive Scan CMOS |
| Sensor Size | 1/1.8" |
| Effective Pixels | 3096(H) X 2080(V) |
| Horizontal Resolution | 1650 TVL |
| Day / Night | Yes |
| Low Light Sensitivity | Superior |
| Minimum Illumination | Color: 0.1 lux at F1.5 (30 IRE, 2400°K); B/W: 0.05 lux (IR LED on) |
| Mechanical IR Cut Filter | Yes |
| IR Sensitivity Range | 700 - 1150nm |
| IR LED | Adaptive IR LED x 22 (850nm) |
| IR Working Distance | 30 m (0 lux, 30 IRE, Gain 255, Auto shutter mode) |
| Electronic Shutter | 1/5 ~ 1/16,000 sec (manual mode) |
| S/N Ratio | 56 dB |

• Lens

| | |
|--------------------------|-------------------------------------|
| Focal Length / Aperture | Zoom, f3.6 - 10mm / F1.5 - 2.8 |
| Zoom Ratio / Speed | 2.8x optical / 1 sec (wide to tele) |
| Zoom Application | Camera Installation |
| Iris | P-iris |
| Focus | Auto focus |
| Lens Mount | Board mount |
| Horizontal Viewing Angle | 90° - 40° |
| Viewing Angle Adjustment | Pan: 0°-360°; Tilt: 0°-90° |

• Video

| | |
|--------------------------------|--|
| Compression | H.265, H.264 (Baseline/ Main/ High profile), MJPEG |
| Max. Frame Rate vs. Resolution | 30 fps at 2592 x 1944; 30 fps at 2048 x 1536; 30 fps at 1920 x 1080; 30 fps at 1280 x 960; 30 fps at 1280 x 720; 30 fps at 800 x 600; 30 fps at 640 x 480; 30 fps at 640 x 360; 30 fps at 320 x 240; 30 fps at 320 x 180 |
| Multi-Streaming | Simultaneous triple streams based on 3 video configurations |
| Privacy Mask | 7 Configurable regions |
| Image Enhancement | Extreme WDR (100 dB); White balance: automatic, manual; Brightness; Digital image stabilizer Contrast; Sharpness (auto); Auto gain control; 2D + 3D digital noise reduction; Defogging |
| Text Overlay | User defined text on video |
| Built-in Analytics | Tamper |
| Image Orientation | Mirror, Flip, Rotation |

• Audio

| | |
|-------------|--|
| Compression | 8kHz, Mono, PCM, 16 bit encoding, G.711 |
| Audio-In | 3.5mm Phone Jack (Line in / Microphone in) |
| Audio-Out | 3.5mm Phone Jack (Line out) |

• Network

| | |
|--------------------|--|
| Protocol & Service | IPv4, IPv6, TCP, UDP, HTTP, HTTPS, SMTP, FTP, NTP, DNS, DDNS, DHCP, DIPS, ARP, Bonjour, UPnP, RTSP, RTP, RTCP, IGMP, PPPoE, 3GPP, ICMP, SNMP, QoS, CoS |
| Ethernet Port | 1, Ethernet (10/100 Base-T), RJ-45 connector |
| Security | IP address filtering; HTTPS encryption; Password protected user levels; Anonymous login; IEEE802.1X network access control |

• Alarm

| | |
|----------------|---|
| Alarm Trigger | Video motion detection (3 regions); External device through digital input; Sound detection |
| Alarm Response | Notify control center; Go to ePTZ preset point or preset tour; Change camera settings; Command other devices; E-mail notification with snapshots; Upload video or snapshot to FTP server; Activate external device through digital output |

• Interface

| | |
|---------------------|-------------------|
| Digital Input | 1, Terminal Block |
| Digital Output | 1, Terminal Block |
| Analog Video Output | 1, BNC |

• General

| | |
|----------------------------|--|
| Power Source / Consumption | PoE Class 3 / 10W; DC 12V / 8 W |
| Weight | 0.82 kg (1.807 lb) |
| Dimensions (Ø x H) | 80 x 258.3 mm (3.15" x 10.17") |
| Environmental Casing | Weatherproof (IP66 rated); Vandal Proof Metal Casing (IK10) |
| Mount Type | Wall, Ceiling, Pole |
| Starting Temperature | -20°C ~ 50°C (-4°F ~ 122°F) within 30 minutes |
| Operating Temperature | -30°C ~ 50°C (-22°F ~ 122°F) |
| Operating Humidity | 20% ~ 80% RH |
| Approvals | CE (EN 55022 Class A, EN 55024), FCC (Part15 Subpart B Class A), IP66, IK10 (metal casing) |

• Integration

| | |
|-------------------------|---|
| Unified Solution | Fully compatible with ACTi software |
| ISV Integration | Software Development Kit (SDK) available ; ONVIF compliant |
| GPS Position | Manual setting |
| Firmware Access Browser | Microsoft Internet Explorer 8.0 or newer (full functionality) |

* All specifications are subject to change without notice.

* All brand names and registered trademarks are the property of their respective owners.