

ENERGIZER CR2016

Lithium Coin

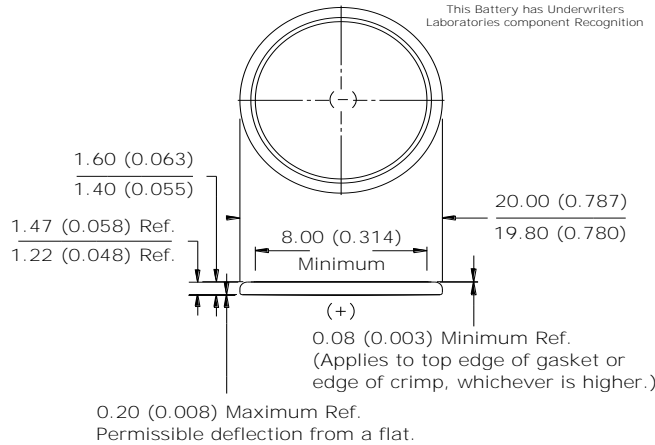


Industry Standard Dimensions

mm (inches)



This Battery has Underwriters Laboratories component Recognition



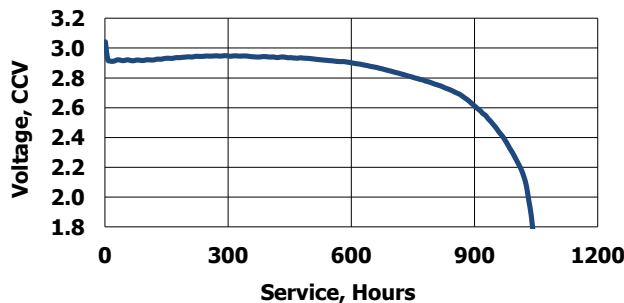
Simulated Application test

Typical Performance at 21°C (70°F)

Schedule:	Typical Drains: at 2.9V (mA)	Load (ohms)	Cutoff 2.0V (hours)
Continuous	0.097	30,000	1032

Typical Discharge Characteristics

Load: 30K ohms - Continuous
Typical Drain @ 2.9V: 0.097 mA

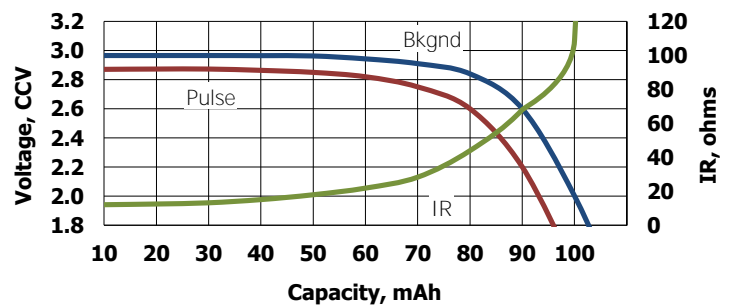


Internal Resistance Characteristics

Pulse Test at 21°C (70°F)

Bkgnd Drain: Continuous
30K ohms
0.097 mA @2.9V

Pulse Drain: 2 seconds X 12 times/day
400 ohms
6.8 mA @2.7V



Important Notice

This datasheet contains typical information specific to products manufactured at the time of its publication.

Values are for reference purposes and not intended for specific calculations.

©Energizer Brands, LLC - Contents herein do not constitute a warranty.